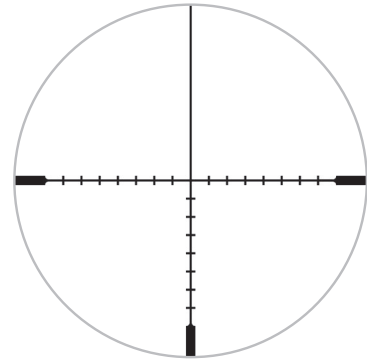


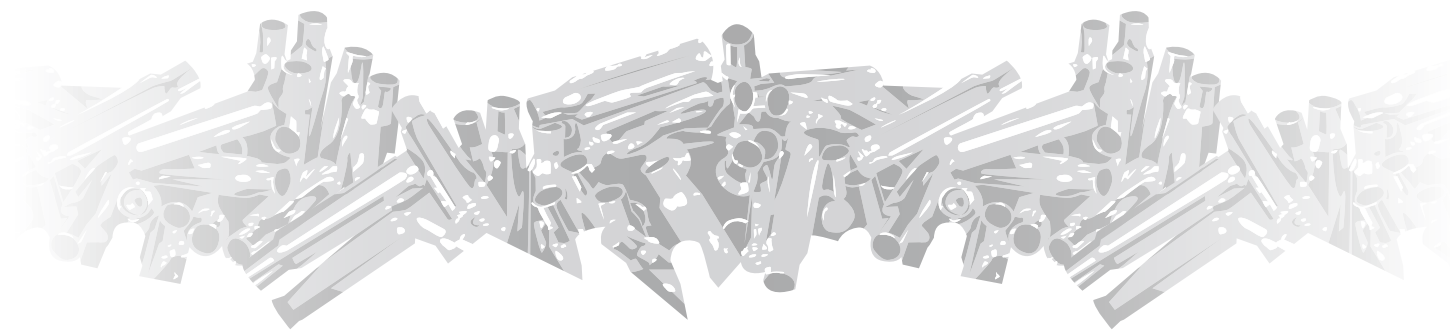
# Available Reticle



BDC Target Holds

AT424-C-2800001 / 1-4x24  
AT1240-C-2800002 / 3-12x40

*Reticle not shown to scale. For a full view of the reticle, please visit our website at [Trijicon.com](http://Trijicon.com).*

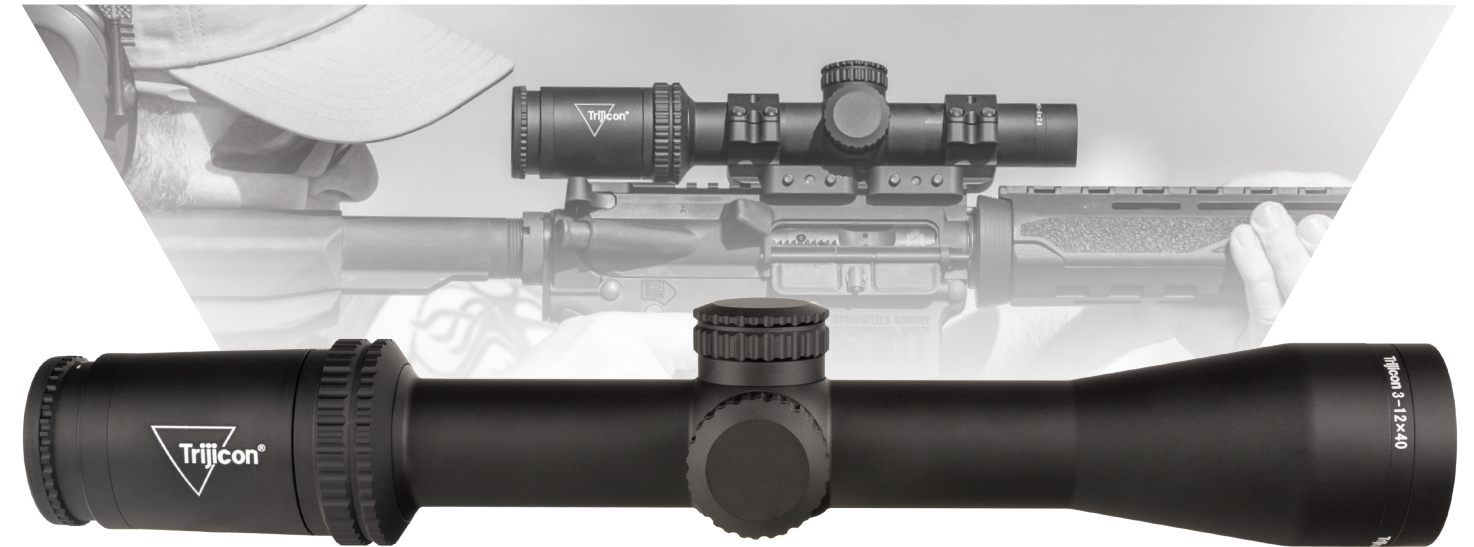


[Trijicon.com/Ascent](http://Trijicon.com/Ascent)

©2020 Trijicon, Inc. | Wixom, Michigan USA | Phone: 1-800-338-0563 | [info@trijicon.com](mailto:info@trijicon.com)  
Specifications subject to change without notice. | PML4076 Rev(0) 1119



# Trijicon Ascent™



Constantly improving your shooting skills requires a tactical riflescope that can grow with you, while also leading the way. The Trijicon Ascent™ gives you durability you can trust, along with a fast, easy-to-use reticle, and clear glass you expect from Trijicon. You can elevate your skill set with a price point that lets you invest in more range time than ever.

- 1 Tested to Military Standards and ready to tackle whatever you throw at it
- 2 Outstanding lens quality for target recognition and situational awareness
- 3 MOA reticles designed for quick target acquisition and shot placement across multiple magnification ranges
- 4 Low-capped adjusters with easy-grip tactical knurling
- 5 Anti-scratch glass coatings

## The Science of Brilliant®

At Trijicon, we are bound by a commitment to industry-leading research, design, and testing to seek innovative aiming solutions that constantly redefine "brilliant." That's why every Trijicon riflescope design is tested to the procedures below.



### > Alaska-to-Africa Temperature Tested

To ensure each family of riflescopes is ready for whatever our users put them through, we perform "Alaska-to-Africa" temperature shock tests with temps from -20°F to 140°F.

### > Solid Zero Tested

Our riflescopes are designed to hold their zero giving you the precision you need. Every model is subjected to 5,000 consecutive rounds, confirming no reticle shift has occurred.

### > Drop Tested

Because we don't believe every drop should be followed by a warranty claim, we drop test each riflescope design to check for durability.

### > Shock & Vibration Tested

All riflescope models are tested to withstand recoil and vibrational stresses without malfunction, so it can take a beating before, during, and after use.

### > Immersion Tested

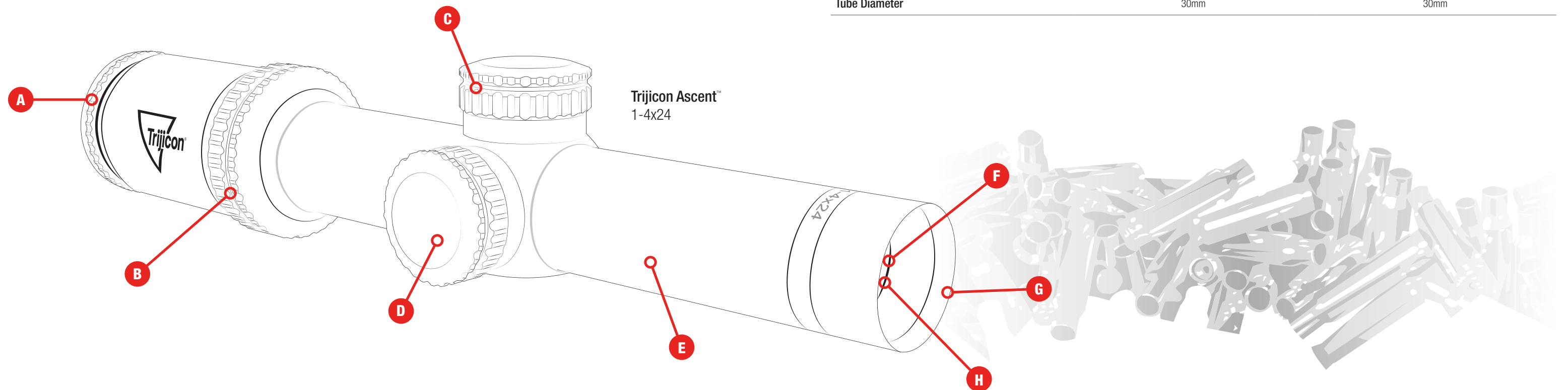
All models are immersion tested, and every riflescope is dry-nitrogen filled to eliminate internal fogging.

To learn more about Trijicon and The Science of Brilliant, visit [Trijicon.com/Science](http://Trijicon.com/Science)

# Features and Benefits



- A Easy-Focus Eyepiece**  
Diopter accommodates the shooter's individual prescription.
- B Accurate Shot Placement at Any Distance**  
Versatile magnifications designed for the range and competition.
- C Ultimate User Control**  
Matte finish and easy-grip tactical knurling for responsive adjustments.
- D Quick & Easy Zeroing**  
Crisp, precise, windage / elevation adjusters require no tools. Capped adjusters prevent accidental shift.
- E Range-Ready Construction**  
Ultra-lightweight ruggedized design stands up to the elements without added weight.
- F Edge-to-Edge Clarity**  
Fully multi-coated broadband anti-reflective glass provides excellent light transmission, true detail and color with zero distortion.
- G Fast Scanning, Detection, and Engagement**  
Extra-wide field of view for maximum situational awareness.
- H Rapid Target Acquisition**  
Uncluttered, easy-to-use reticles for fast and accurate shots.



# Specifications



	1-4x24 (AT424 Series)	3-12x40 (AT1240 Series)
Eye Relief	2.6 – 3.9 in. 65 – 98mm	2.2 – 3.2 in. 55 – 81mm
Exit Pupil	0.69 – 0.2 in. 17.5 – 5.1mm	0.52 – 0.13 in. 13.2 – 3.4mm
Field of View (@ 100 yd.) (@ 100m) (Degrees)	95.0 – 24.2 ft. 31.7 – 8.1m 18° – 4.6°	36.3 – 9.1 ft. 12.1 – 3.0m 6.93° – 1.74°
Focal Plane	Second	Second
Elevation Adjuster Style	Low Capped	Low Capped
Adjustments	1/4 MOA per click	1/4 MOA per click
Adjustment Range Total Travel	100 MOA	70 MOA
Finish	Matte	Matte
Dimensions (L x W x H)	10.4 x 2.0 x 1.9 in.	12.55 x 2.26 x 2.26 in.
Weight	15.9 oz.	17.8 oz.
Tube Diameter	30mm	30mm