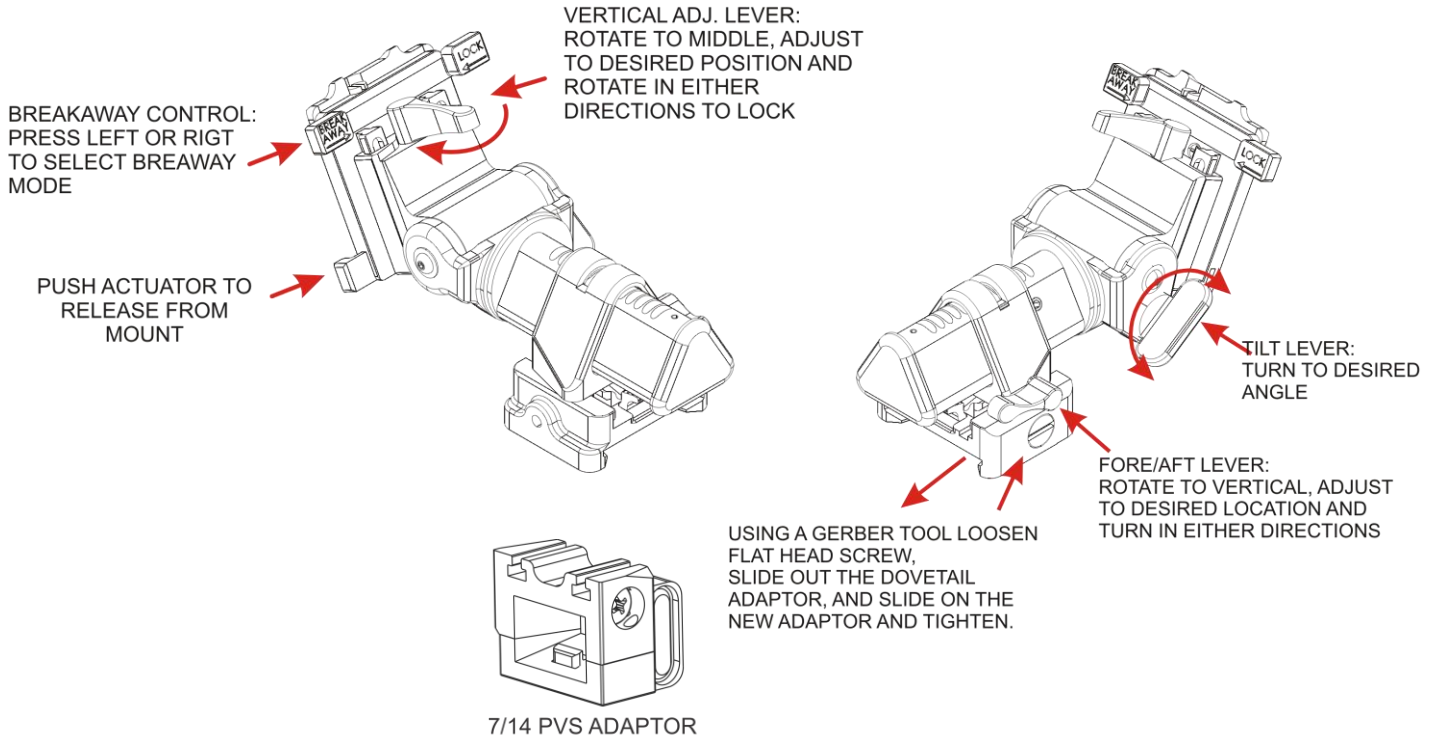




Technical Data Sheet Improved Night Vision Goggle Hyper Helmet Mount INVG Hyper-HM Nortos # 1920010



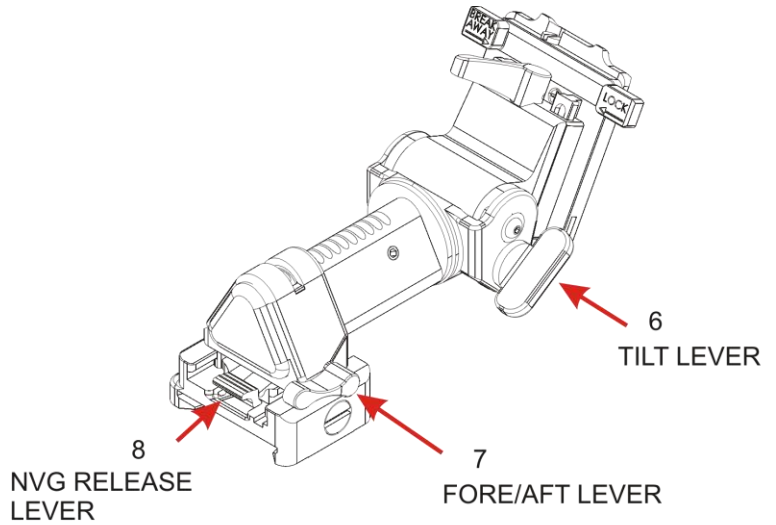
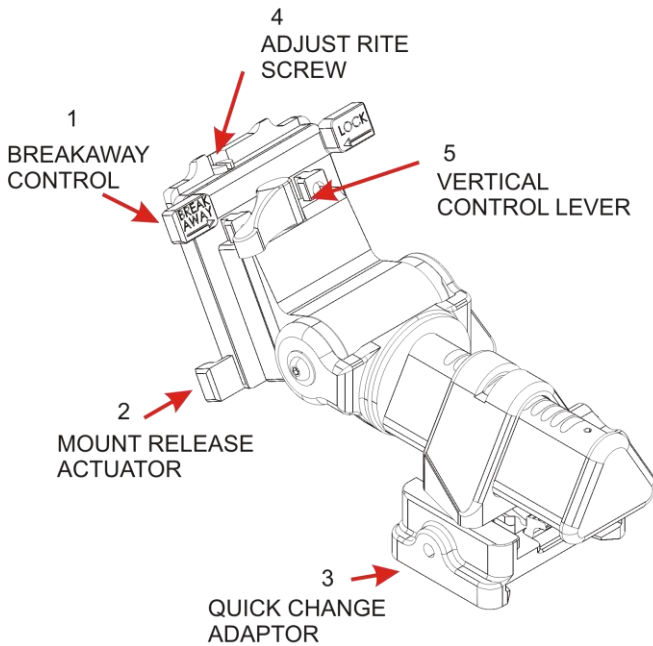
FEATURES

- Adjustable Breakaway or Lock Control
- Helmet Mount Release Button
- Six Position Force-to-Overcome Stow
- Force-to-Overcome Sweep-Away
- Glide-Rite Infinitely Adjustable Ranges for Vertical, Horizontal, and Tilt controls.
- Minimized Accidental Impact of NVG
- Horn & Dovetail NVG Interchangeability
- Auto Shut-Off
- Reduced Weight & Enhanced NVG Center of Gravity

PROPRIETARY NOTICE: This document is the trade secret/confidential property of NOROTOS, INC. and is conveyed with the express condition that the proprietary information and data contained in it are not to be used, disclosed, or reproduced in whole or in part for any purpose with out the express written consent of NOROTOS, INC. No right is granted by NOROTOS, INC. to disclose it to others or to use any information contained in said data to replicate or manufacture our products, other than by our express written direction.



Technical Data Sheet Improved Night Vision Goggle Hyper Helmet Mount INVG Hyper-HM Nortos # 1920010



PRODUCT SPECIFICATIONS

1. Vertical Adjustment Lever; allows NVG vertical height to be easily adjusted, and then locked securely.
2. Release Button: Allows one handed release from Helmet Bracket or Shroud.
3. Universal Mount Adaptor will accommodate the Dovetail style PVS 15, 18 & 21 Night Vision Goggles.
4. Break Away Button; allows user to set the desired mode for mount (Breakaway or locked). Mode depends on user operational needs.
5. Adjust-rite screw; Set the desired Break away force to user's preferences.
6. Tilt Adjustment Lever; allows the operator to fine adjust the tilt angle of the NVG.
7. Fore/Aft Lever; allows for fore/aft travel of the goggle. Releasing the lever allows the operator to set the fore/aft position of the NVG.
8. Release Lock Lever; allows the operator release the NVG from the mount.

SPECIFICATIONS

Dimensions (Operational):	4.0" L x 2.5" W x 2.3" H
Weight:	188 g (6.65 oz)
Material Construction:	Light Weight Aluminum, stainless steel and high strength nylon
Accommodates:	PVS 15, 18 & 21 NVG PVS 7, 14 (Separate adaptor)
Vertical Travel	1.10" Total
Fore/Aft Travel	1.35" Total
Tilt Range of 21°	Upward: 16°, Downward: 5°
Breakaway Force	5 – 35 lbs

PROPRIETARY NOTICE: This document is the trade secret/confidential property of NOROTOS, INC. and is conveyed with the express condition that the proprietary information and data contained in it are not to be used, disclosed, or reproduced in whole or in part for any purpose without the express written consent of NOROTOS, INC. No right is granted by NOROTOS, INC. to disclose it to others or to use any information contained in said data to replicate or manufacture our products, other than by our express written direction.