

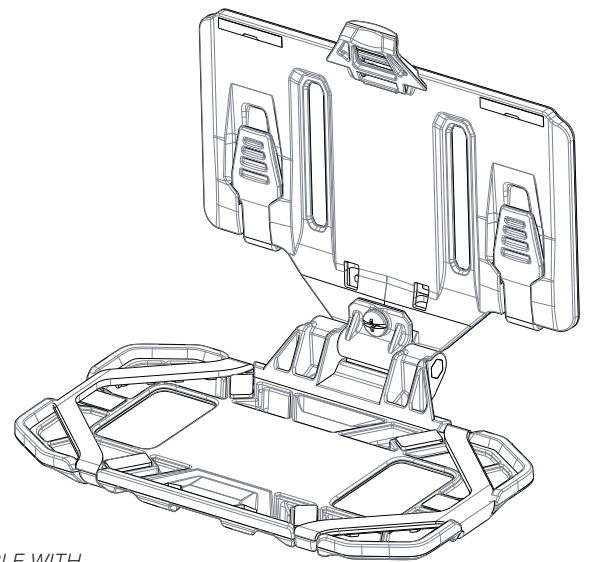


NAVBOARD®

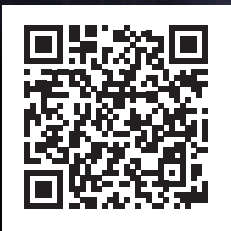
FlipLite™

The Navboard® FlipLite™ is the natural evolution of S&S Precision's original FlipLite™ offering enhanced durability and performance. Molded with impact modified Nylon, the NavBoard® FlipLite™ is case agnostic EUD mounting platform enabling users to utilize their preferred case. The EUD is secured to the phone panel via silicone retention straps featuring internal ribbing to prevent the straps from peeling off the EUD. An integrated friction hinge allows users to adjust tension to their preference, while the removable bungee lock ensures the NavBoard® FlipLite™ is securely stowed when not in use. The NavBoard® FlipLite™ mounts to the 4 x 2 MOLLE/PALS field via two mounting straps, while the straps enable users to rapidly doff the platform when necessary.

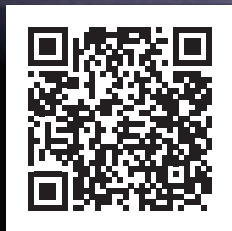
- Case agnostic
- Adjustable friction hinge
- Silicone EUD retention straps
- Attaches to 4 x 2 MOLLE/PALS field
- Rapid donning / doffing mounting
- Integrated belly band slots
- **Berry Compliant**



NOT COMPATIBLE WITH
NAVBOARD® ZIPFLIP™ OR FLAP



OPEN CAMERA TO VIEW
USER INSTRUCTIONS
SSPGEAR.COM/
END-USER-INSTRUCTIONS



OPEN CAMERA TO VIEW
**S&S PRECISION'S
PATENT INFORMATION**
SSP-IP.COM

