

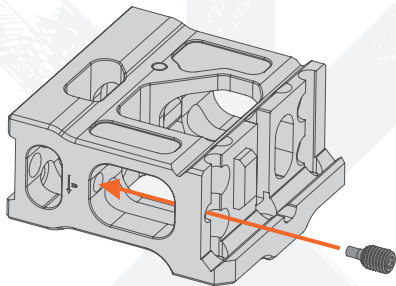
FAST™ MICRO MOUNT INSTALLATION INSTRUCTIONS



⚠️ ENSURE FIREARM IS UNLOADED

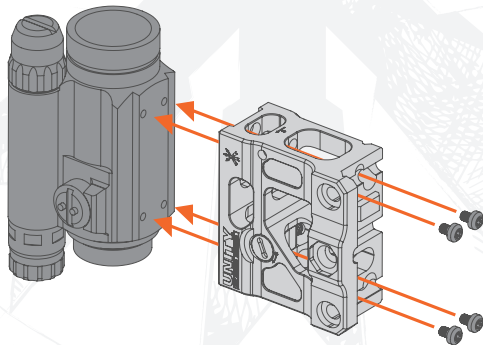
⚠️ **WARNING:** Over-torquing fasteners can damage your mount and will not be covered by warranty.

- 1 If using Front BUIS, thread into place through bottom of FAST Mount so tip of post is generally aligned with Rear BUIS. **DO NOT USE THREAD LOCKER.**



- 2 Remove current mount from optic and set it aside.

- 3 Using supplied mounting screws, install the optic to mount. Tighten the screws in an "X" pattern until they are finger tight. Then give each screw a 1/8 - 1/4 turn with the supplied wrench. **DO NOT EXCEED MANUFACTURER'S RECOMMENDED TORQUE SPEC.**



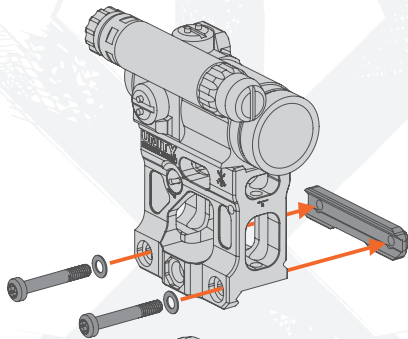
FAST™

MICRO MOUNT INSTALLATION INSTRUCTIONS

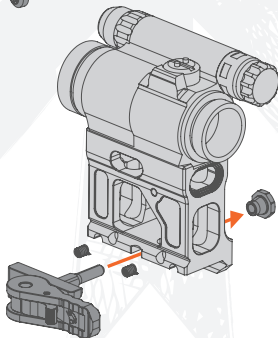


! ENSURE FIREARM IS UNLOADED

- 4** If using Standard Rail Grabber Mount clamp, install the mount on weapon. Secure screws using a T25 bit driver. Lightly snug all screws before applying final torque to any. **TORQUE TO 35 IN-LBS.**



- 5** Optional ADM Quick Detach Lever (sold separately) can be installed in place of rail grabber. Installation instructions are included with lever.

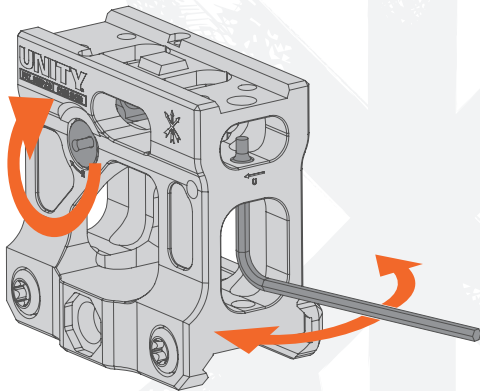


FAST™ INSTALLATION INSTRUCTIONS

MICRO MOUNT



⚠️ ENSURE FIREARM IS UNLOADED



- 5** Windage adjustment of Rear BUIS is 0.5 MOA/click (with a 12.5" Sight Radius). If in conjunction with included Front BUIS, adjustment is 5 MOA/click. Windage adjustment can be made with Aimpoint adjustment tools or flat blade screwdriver.
- 6** Elevation adjustment for Front BUIS is 10 MOA per 1/8" turn (keep in mind this is a 1.27" Sight Radius). So, yeah: Elevation is going to be pretty touchy. This sight is intended as a backup system for weapons that do not have a standard front sight requirement.