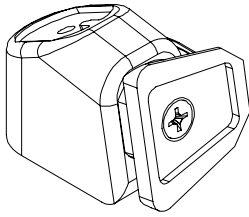
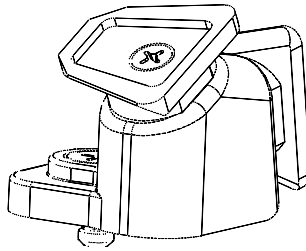


Technical Data Sheet

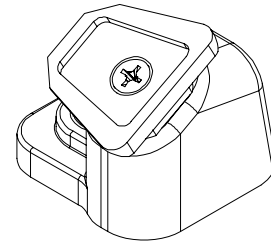
1827010 Dual Dovetail Adaptor for PVS 14 NVG's BC 2-20-09



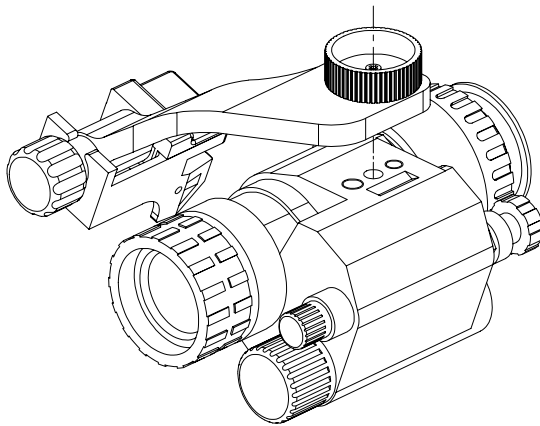
Configured for Left Eye



Configured for both Eyes

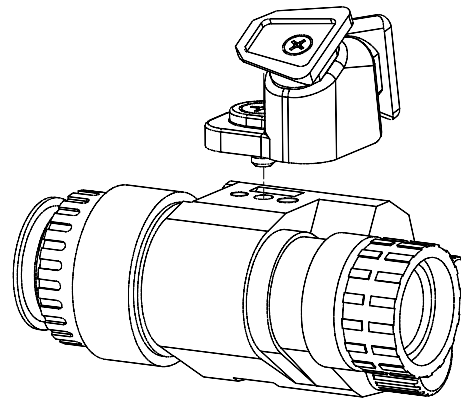


Configured for Right Eye



1. Remove standard J Arm

Installation Instructions

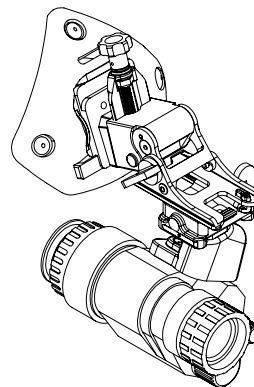
2. Using suitable Phillips drive tool,
attach Dual Dovetail Adaptor as shown

1. Rugged and durable uni-body design with integrally sealed shut-off mechanism.

2. Anti-bounce auto shut-off feature will not allow goggles to turn off inadvertently.

3. Contact seal provides protection from electrical shorting and unwanted goggle shut-off in wet conditions.

4. Adaptor comes configured for both eyes and can be easily changed for right or left eye usage.



1827010
Dual Dovetail Adaptor
Shown Mounted to
PVS 14 NVG's
and AKA 2 HMA

PROPRIETARY NOTICE This document is the trade secret/confidential property of NOROTOS, INC. and is conveyed with the express condition that the proprietary information and data contained in it are not to be used, disclosed, or reproduced in whole or in part for any purpose without the express written consent of NOROTOS, INC. No right is granted by NOROTOS, INC. to disclose it to others or to use any information contained in said data to replicate or manufacture our products, other than by our express written direction.