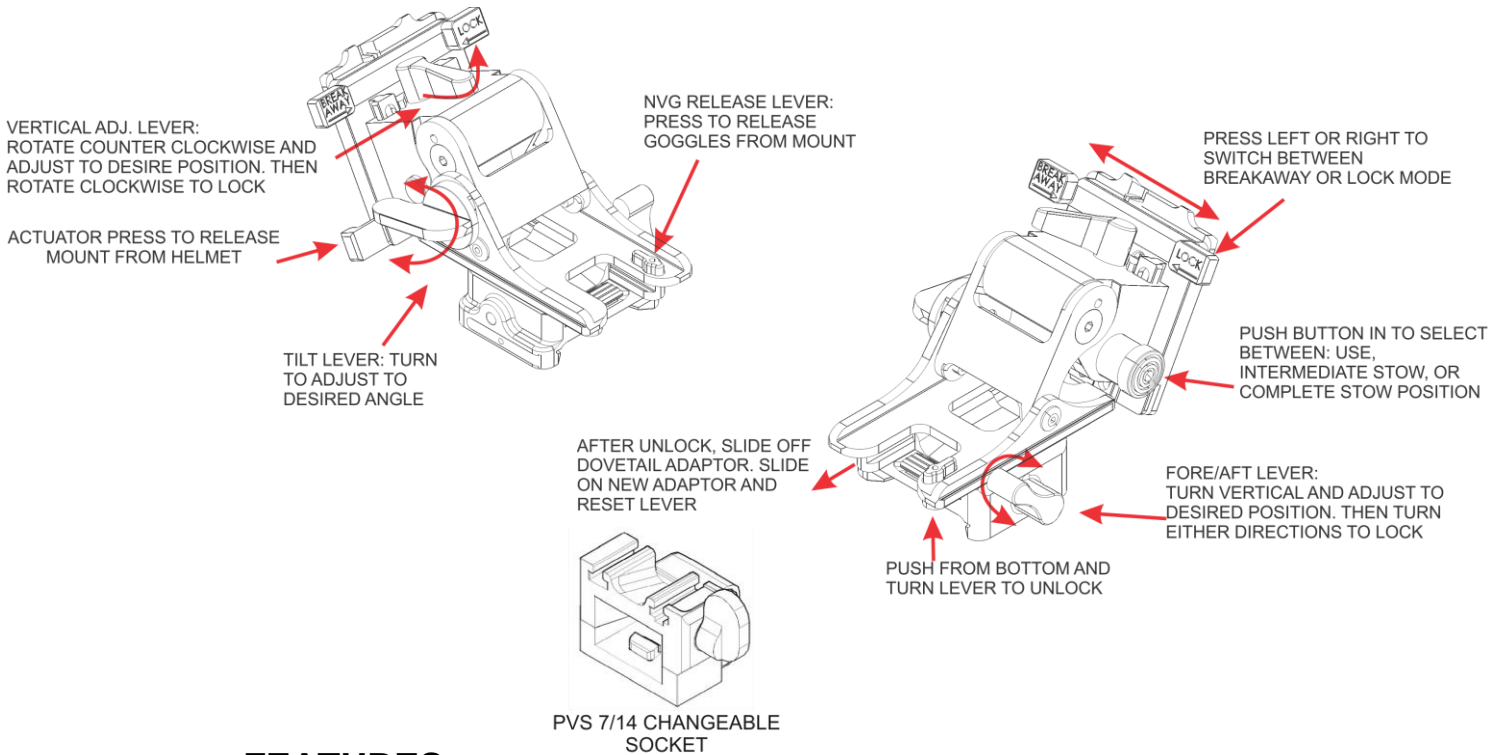


## Technical Data Sheet AKA II- HYPER HELMET MOUNT Norotos # 1940010



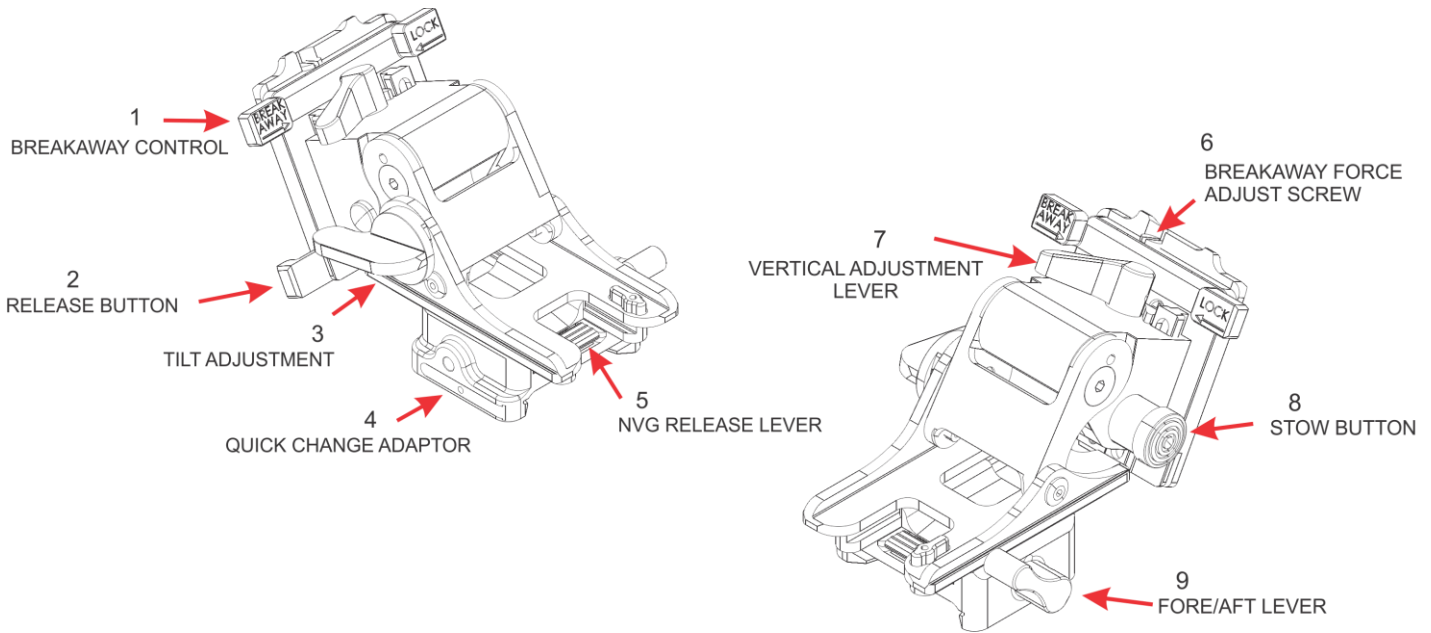
### FEATURES

- Ergonomically Optimized Vertical, Tilt, and Fore/Aft-Eye-Relief Adjustment Levers
- 3 Position Stow: Operation, Intermediate and Completely Stow.
- Dovetail Style NVG Compatible for PVS-7A/C, PVS-15, PVS-18, PVS-21, & PVS-31, others NVG
- Glide-Rite Infinitely Adjustable Ranges for Vertical, Horizontal and Tilt control
- Reduced Weight & Enhanced NVG Center of Gravity prevents user fatigue allowing long-term ergonomic wear-ability
- Auto Shut-Off when NVG in stow position or removed from mount
- Durable Helmet Mount Surface Finishes withstand extreme environmental and field conditions
- Safe & Easy Operational Tactile Differentials on operating levers, knobs, and buttons

**PROPRIETARY NOTICE:** This document is the trade secret/confidential property of NOROTOS, INC. and is conveyed with the express condition that the proprietary information and data contained in it are not to be used, disclosed, or reproduced in whole or in part for any purpose with out the express written consent of NOROTOS, INC. No right is granted by NOROTOS, INC. to disclose it to others or to use any information contained in said data to replicate or manufacture our products, other than by our express written direction.

## Technical Data Sheet

### AKA II- HYPER HELMET MOUNT Norotos # 1940010



## PRODUCT SPECIFICATIONS

1. Break Away Button; allows user to set the desired mode for mount (Breakaway or locked). Mode depends on user operational needs.
2. Release Button: Allows one handed release from Helmet Bracket or Shroud.
3. Tilt Adjustment: Use to adjust the tilt of your NVG.
4. Interchangeable Adaptor: Dovetail style (showed) or Horntail style (sold separately adaptor)
5. Release button: press to remove your NVG device from interface.
6. Adjust-rite screw: Set the desired Breakaway force to user's preference.
7. Vertical Adjustment Lever; allows NVG vertical height to be easily adjusted, and securely locked.
8. Stow Button: Allow user to stow NVG when not using. Come with an intermediate stow position.
9. Fore/Aft Lever; allows for fore/aft travel of the goggle.

## SPECIFICATIONS

Dimensions (Stow):	2.75" L x 2.5" W x 2.1" H
Weight:	185 g (6.4 oz)
Material Construction:	Light Weight Aluminum, stainless steel and high strength nylon
Vertical Height Adjustment:	1.1" Total Travel
Fore/Aft Travel:	1.6" Total Travel
Tilt Range of 21°:	Upward: 16° , Downward: 5°
Breakaway Force:	5 - 35 lbs