



NUC BOX

SPLITTING HIVE



Thank you for your purchase!

At Harvest Lane, we strive to offer the best products in the beekeeping industry.

SPLITTING YOUR HIVE

Your Nuc Box comes assembled and ready to go. We recommend you paint your box with 2 coats of exterior paint for longer product life.

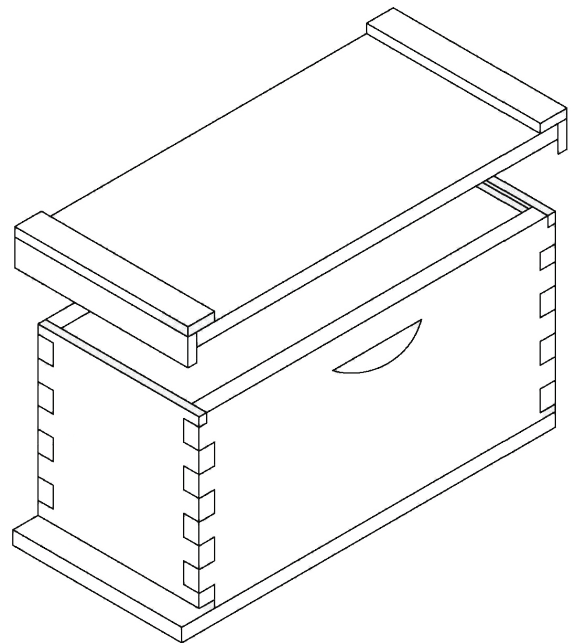
1. Make sure your hive has 20 frames full of brood and honey; typically in early spring.
2. Seal front entrance with wire or plastic screen.
3. Take 2 frames full of honey and pollen with worker bees from an existing hive.
4. Place one frame full of honey and pollen on each side of the Nuc Box.
5. Take 3 frames full of Brood (different stages) with nurser and worker bees. Verify that the queen is NOT on frames.
6. Place frames in middle of Nuc.
7. Relocate Nuc 15 ft from existing hive.
8. Remove screen from entrance.
9. Wait 24 hours from the time you split to add a new queen.
10. Check in one week to see if queen has been released. Once the queen is laying for 3 weeks, move frames into a deep box.

USES FOR NUC BOX

- Making Splits (example below)
- Capturing Swarms
- Selling Nucs
- Making your own Queens

INCLUDED IN BOX:

- Migratory Wooden Top
- (5) Frame Wooden Nuc Box (Frame and Foundations not included)
- Bottom Board attached to Nuc



thank you!

VISIT
HARVESTLANE.COM
FOR ADDITIONAL
ITEMS, EDUCATION,
& VIDEOS!

Harvest Lane Honey
Salt Lake City, UT • 435-840-0495

