



HIVE STAND

ASSEMBLY INSTRUCTIONS

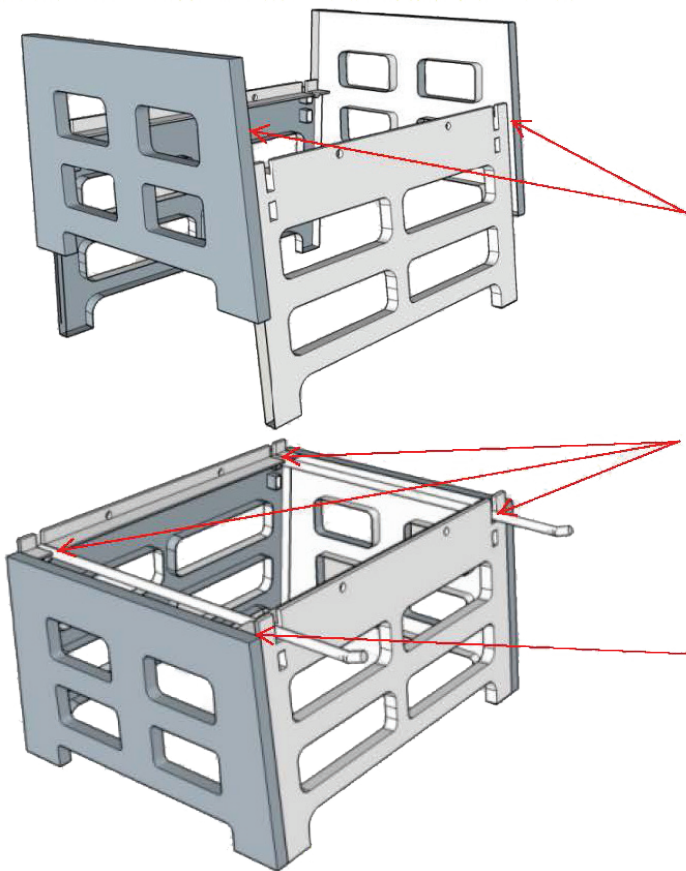


Thank you for your purchase!

At Harvest Lane, we strive to offer the best products in the beekeeping industry.

INCLUDED IN BOX:

- (2) Metal Frame Rests (holds frames while checking the hive)
- (2) Small Panels (12" x 19")
- (2) Large Panels (13" x 23")



The following instructions will help you put together your hive stand.

Step 1: Slide Front and Rear panels down plastic track. This will lock your hive stand together.

Step 2: Push Metal Frame rest into Frame rest slots.

Step 3: Check panels that they are flush. Now your hive stand is ready for a bottom board.

TIP: If wind is a concern, attach your hive stand to your bottom board. See our pre-drilled holes.

thank you!

VISIT
HARVESTLANE.COM
FOR ADDITIONAL
ITEMS, EDUCATION,
& VIDEOS!

Harvest Lane Honey
Salt Lake City, UT • 435-840-0495

