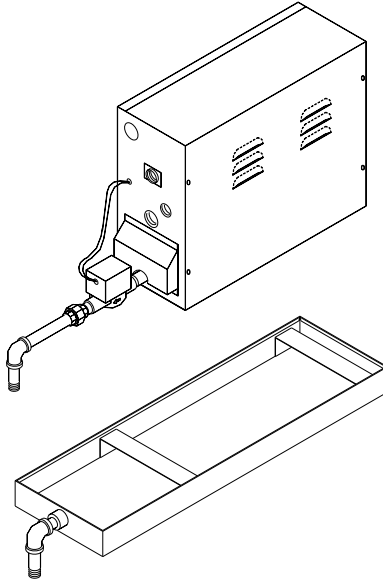


Steam Generator Drip Pan

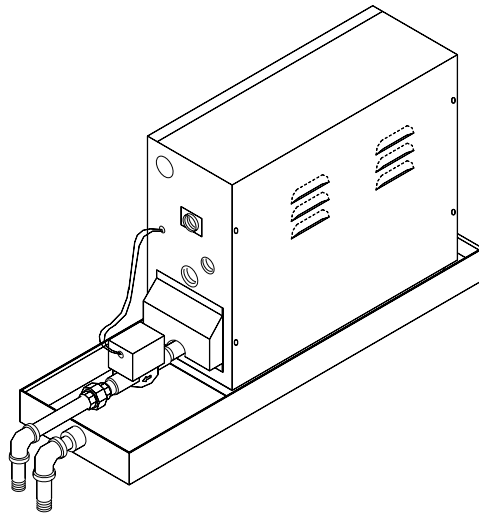
When properly installed and connected to an approved drain line, the Steam Generator Drip Pan will reduce the risk of consequential water damage.

Place Drip Pan on a flat surface in a location suitable for the steam generator.
Pan dimensions: 26" L x 8" W x 2" H.



Screw suitable pipe adapter into 3/4" female NPT threaded outlet in pan and connect to a plumbing system drain line.

Set generator on supports inside drip pan.



Connect appropriate 1/2" drain pipe to generator drain valve. **DO NOT** drain water from generator drain valve directly into drip pan.