



AI BOILER SPECIFICATION GUIDE

(see complete instructions for warnings and installation procedures)

SAUNATEC AI BOILER RATINGS

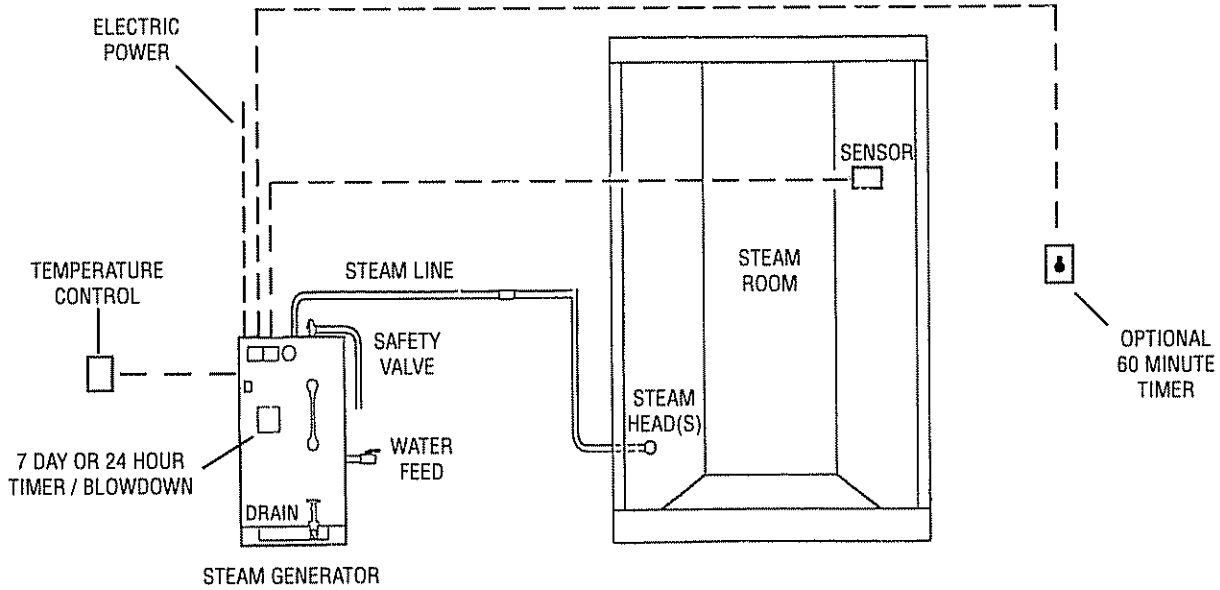
CATALOG#	UL MODEL#	WATTS	VOLTS	PHASE	AMPS	MAX ROOM SIZE (CU FT)	STEAM LB-HR
AI 12	12-208 1	12,000	208	1	59	500	36
	12-208 3		208	3	34		
	12-240 1		240	1	51		
AI 18	18-208 1	18,000	208	1	88	750	54
	18-208 3		208	3	51		
	18-240 3		240	1	76		
	18-480 3		480	3	22		
AI 24	24-208 1	24,000	208	1	116	1000	73
	24-208 3		208	3	68		
	24-240 1		240	1	101		
	24-480 3		480	3	29		
AI 30	30-208 3	30,000	208	3	85	1250	91
	30-480 3		480	3	36		
AI 36	36-208 3	36,000	208	3	101	1500	109
	36-480 3		480	3	43		
AI 42	42-208 3	42,000	208	3	118	1750	127
	42-480 3		480	3	51		
AI 48	48-480 3	48,000	480	3	58	2000	145

Notes:

- All models: no internal heating circuit fuses are needed
- All models use 120VAC control circuits.
- 208V and 240V models supply 120V to control circuit internally, 480V models require a separate 120V service.
 - For 208V and 240V models, run power wires + Ground and a 14AWG Neutral for controls.
 - For 480VAC units, run 3 power wire + Ground and run a 15A 120V service for the control circuit.
- Use only copper wire, rate 75°C or better.
- Install all wiring per local codes.

"AI" Series Boiler Controls and Options

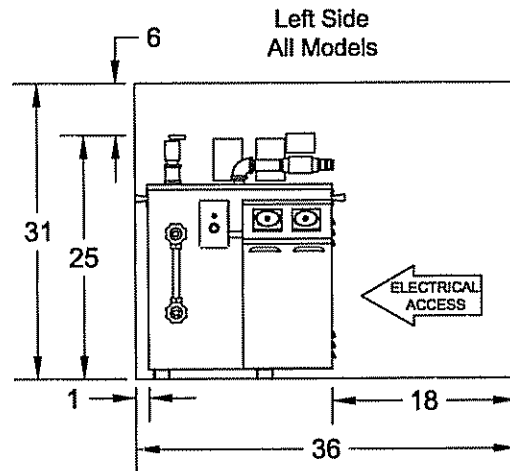
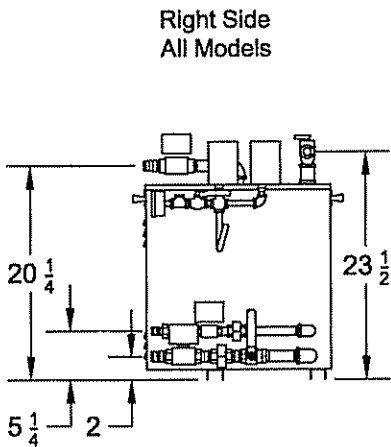
MODEL	DESCRIPTION
IT1	Thermostat (Must Be Ordered With Each Boiler)
ADI	Automatic Drain for Boiler Models
IDS	Refresh, 10 Second Burst of Steam
I60	60 Minute Timer
I24/7	7 Day Timer with 2 Hour Time Blocks
I24/1	24 Hour Timer with 30 Minute Time Blocks
IT2	Thermostat for Second Room (Includes 2nd Valve)



AI Boiler Minimum Access Dimensions

Locating the "AI" Boiler

- AI Boilers must be installed by a licensed plumber and electrician to local and national codes.
- AI Steam Boilers are intended for indoor use only.
- Install upright and level side to side and front to back, and provide access for service.
- Not for space heating purposes.
- Protect from freezing.
- Do not install in areas accessible to the general public.
- Do not store combustible, corrosive materials or chemicals near the boiler.



The dimensions shown are the minimums to provide service access. Your local codes may require greater clearances, particularly for electrical service.

The boiler may be mounted directly on a combustibile surface, such as a wooden floor. Three 1/4" bolt holes are provided in the boilers "feet" to secure it in place where required.

Install the boiler in an easily accessible area which is indoors, dry and protected from freezing.

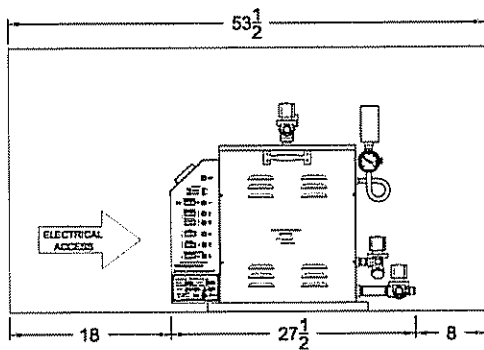


CAUTION: Boiler pipes and fittings can become extremely hot and may cause burns! The boiler should be installed to prevent accidental contact.

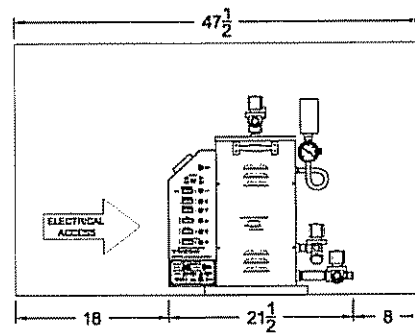


CAUTION: Keep all flammable materials and chemicals away from the boiler!

30kW, 36kW, 42kW, 48kW
Front



12 kW, 18kW, 24kW
Front



SEE COMPLETE INSTALLATION INSTRUCTIONS FOR WARNINGS!