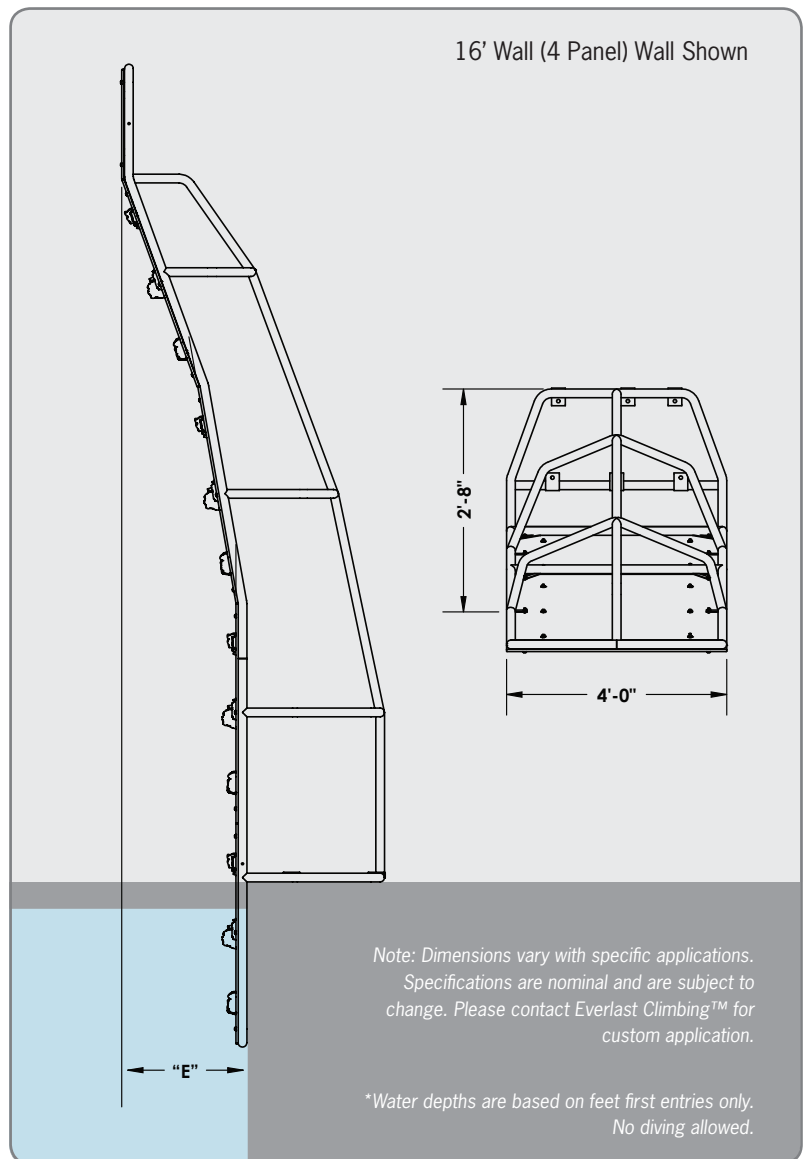
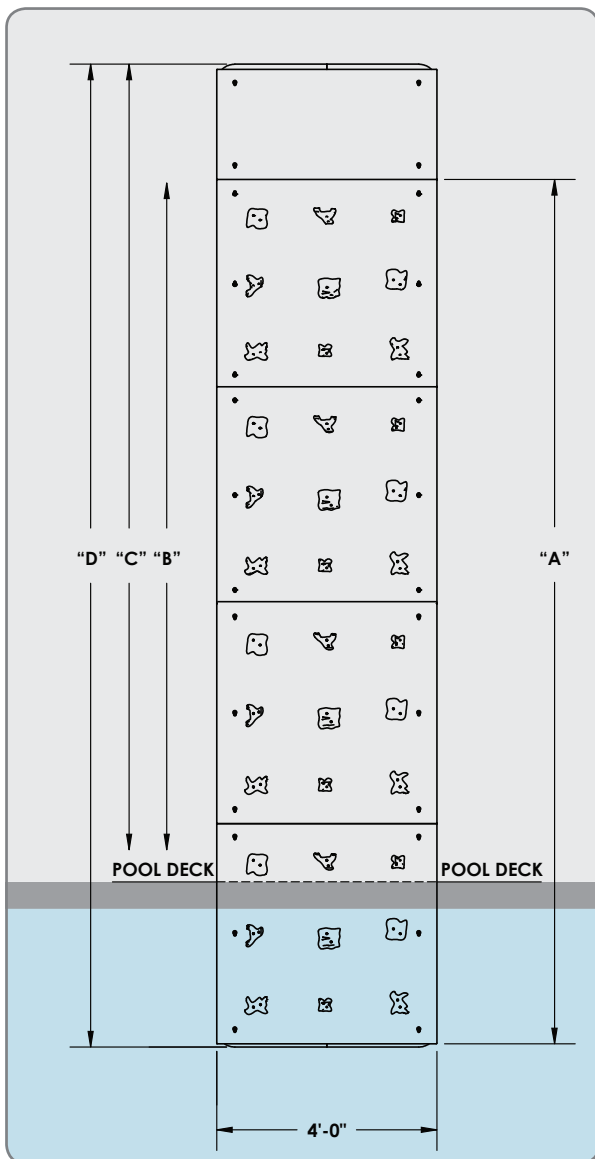


Water Depths, Safety & Size Considerations

	Climbing Panels	Width	Recommended Water Depth	Climbable Surface "A"	Above Deck Climbable Surface "B"	Top "No Climbing" Panel	Total Height above Pool Deck "C"	Total Length of Structure "D"	Distance of Plumb Line from Pool Wall "E"
8' Wall	2	4'	5'	7' 10"	4' 10"	2'	7'	10'	1'
12' Wall	3	4'	6'	11' 10"	9' 10"	2'	11'	14'	1'
16' Wall	4	4'	9'	15' 8"	12' 8"	2'	14' 10"	17' 10"	2' 1"



Water Depths, Safety & Size Considerations



Top Footprint (for all sized walls):
 2' 8" of deck space required
 4' of clearance for walkway
 5' to either side of wall
 10' drop zone into pool

**10' Drop zone
 into pool from front
 of structure**

