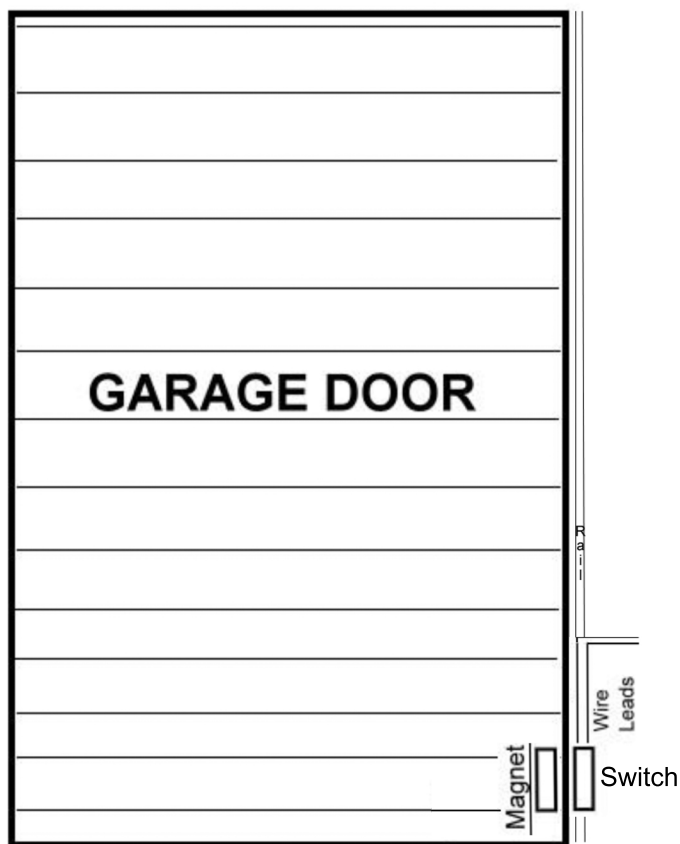




Installation instructions for TANE-66 WG Overhead Door Commercial Contacts Rail Mount GAP 2 1/2"



Mount switch on garage door rail (**see below** for details)
Mount magnet bracket on garage door parallel to the switch
Make sure the gap between the switch and magnet is not less than 1/2"
Splice armored leads into alarm circuit

WWW.TANEALARM.COM

906 Jericho Turnpike
New Hyde Park, NY 11040

Tel: 516-328-3351 800-852-5050
Fax: 516-326-9125 Email: info@tanealarm.com

TANE-66 WG Mounting Instructions

Caution: To prevent the magnet from being used as a step or a handle, locate the magnet away from handles and latches.

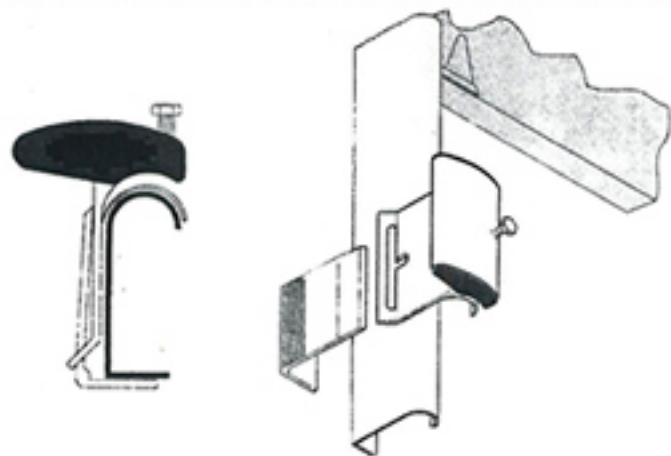


Illustration 1

1. Slide the slot of the switch over the beveled-edge of the L-bracket, snap it tightly into place and screw down firmly

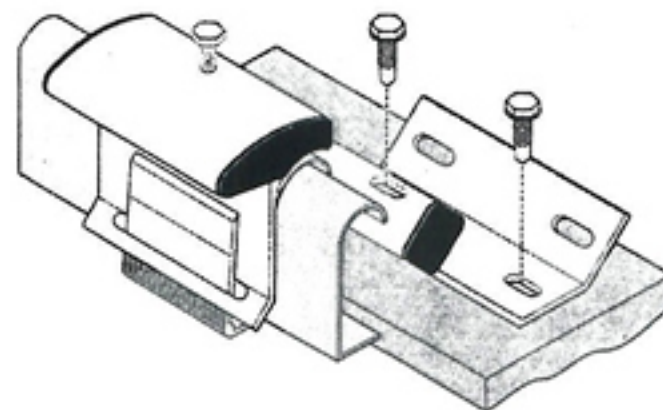


Illustration 2

2. Align the magnet with the switch and use screws to attach it to the door as shown above. The switch and magnet must be aligned with 1/2 inch of each other to prevent false alarms.

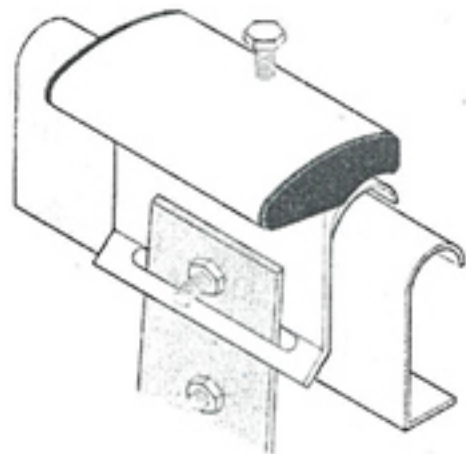


Illustration 3

Optional: Use the existing track bolts to mount the switch instead of the L-bracket as shown above

3. Connect the switch wires to the alarm system and test to verify proper operation.

Important: The contact should be mounted at least 13 inches from the floor. If other track-mounted devices interfere, mount the switch under them.

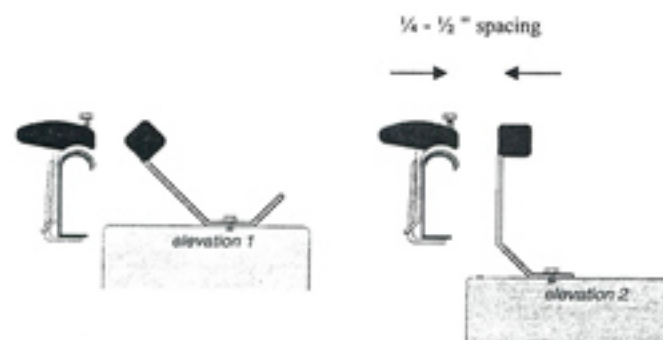


Illustration 4A

Illustration 4B

4. The magnet can be attached in two different positions on the door as shown in Illustration 4A and Illustration 4B above.