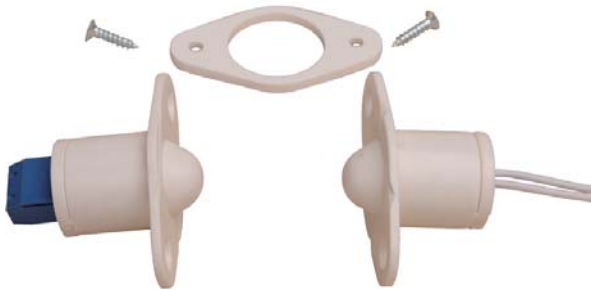


# TANE-22 & TANE-22 TC

## RECESSED CONTACTS

.73"(18.5mm) Stubby "Button Ball" Reed Contact



Contact Size:

TANE-22: .73"×1.21"(18.5mm×30.7mm)

TANE-22 TC: .73"×1.6"(18.5mm×40.7mm)

Standard Magnet Size: NA

Standard Gap: NA

Colors: White, Brown

12"(305mm) 22 AWG Leads Standard TANE-22

Longer leads available.

TANE-22 TC: Terminal Connect

### Specifications

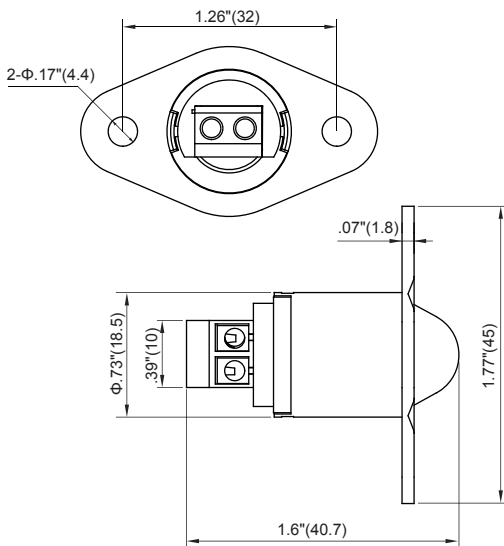
Part Number	Gap Inch(mm)	Loop Open/Closed	Reed Form	Max. Contact Rating (W)	Max. Initial Contact Resistance (mΩ)	Max. Switching Voltage (V)	Max. Switching Current (A)
TANE-22	NA	CLOSED	Normally Open	1	100	AC24/DC24	0.1
TANE-22 TC	NA	CLOSED	Normally Open	1	100	AC24/DC24	0.1

OPERATING TEMPERATURE:-40°C to +60°C

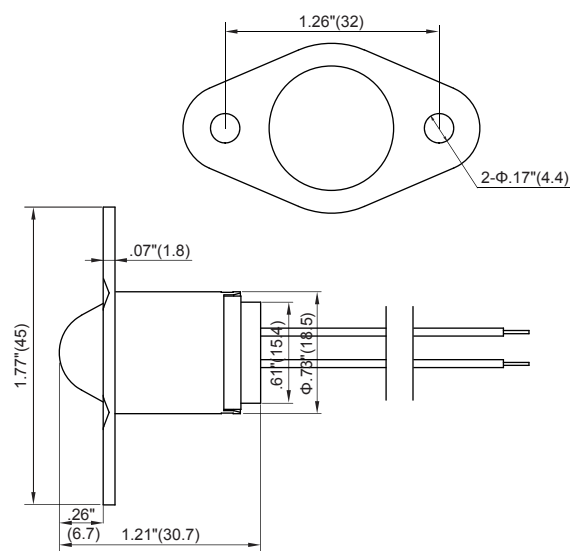
### Outline Dimensions

Unit: inch(mm)

#### TANE-22TC



#### TANE-22



The Best Guarantee Since 1984 : \$50-1

## TANE ALARM PRODUCTS

906 JERICHO TURNPIKE, NEW HYDE PARK, NY 11040

Tel: 800-852-5050 • 516-328-3351 • Fax: 516-326-9125

www.tanealarm.com • E-MAIL: info@tanealarm.com