

## Product Description

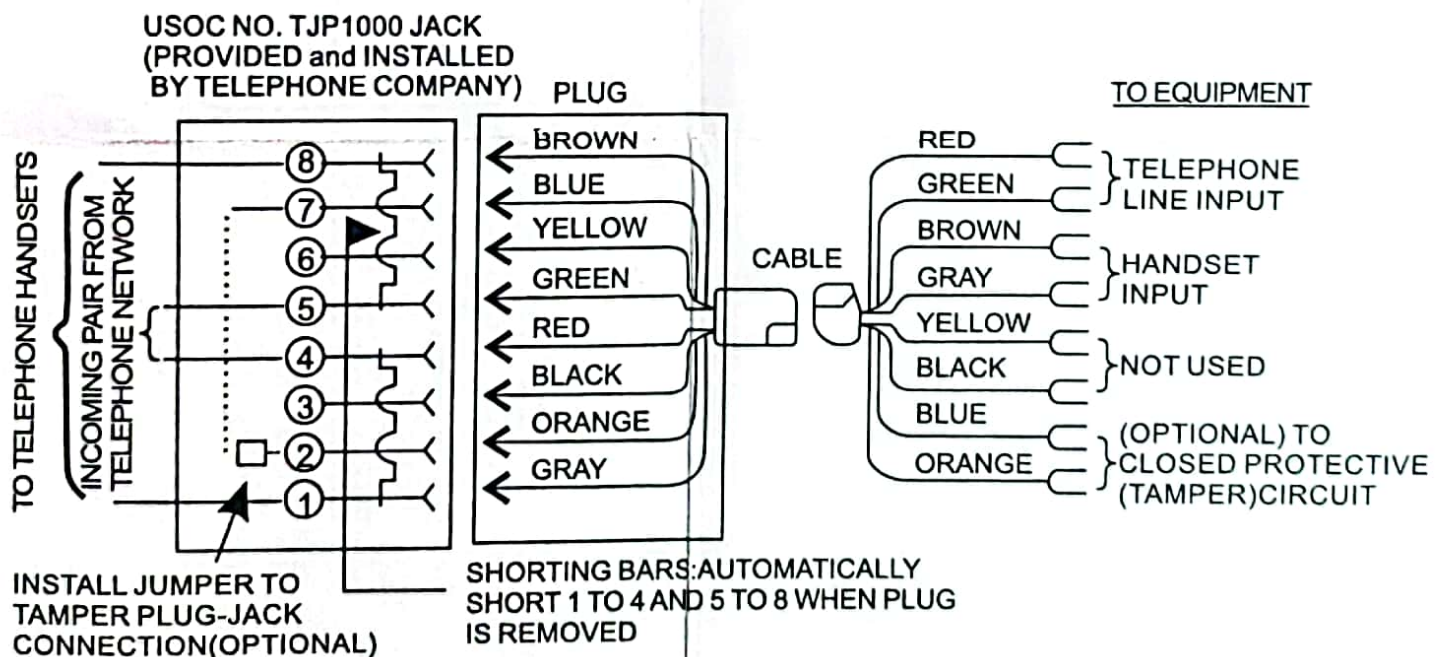
This phone jack module is for use with alarm system control panel as a means of connecting to the in-building telephone lines.

## Installation Instruction

The phone jack module may be secured to the desired location in two ways:

1. With the double-sided adhesive foam tape provided.
2. By opening the module cover and securing the screw provided in the center cavity and then replacing the module cover.

For wiring connections, see the wiring diagram below:



## PLEASE READ THESE SAFETY INSTRUCTIONS

1. Never install telephone wiring during a lightning storm.
2. Never install telephone jacks in wet locations unless the jack is specifically designed for use in the wet locations.
3. Never touch uninsulated telephone wires or terminals unless the telephone line has been disconnected at the network interface.
4. Use caution when installing or modifying telephone lines.