



Honeywell / Resideo

SEM300 QUICK INSTALL GUIDE

SIMPLIFIED INSTRUCTIONS FROM YOUR FRIENDLY A.S.S. TEAM MEMBERS

We have compiled a much simpler installation manual for our customers in the hopes that we can alleviate all complications while installing your SEM300. Following this instruction guide will give you the best chance at setting up your Alarm.com communicator without ever having to reach out for any assistance. If you do have any problems or questions though, please feel free to email us at csr@alarmsystemstore.com and we will do our best to assist you.

IMPORTANT: THIS GUIDE ASSUMES YOUR VISTA PANEL HAS KEYPAD ADDRESS 23 AVAILABLE. IF YOU NEED TO CHANGE THE SEM TO A DIFFERENT KEYPAD ADDRESS, CHECK OUR SECONDARY/TROUBLESHOOTING GUIDE FOR ADDRESSING THE SEM.

STEP GUIDE:

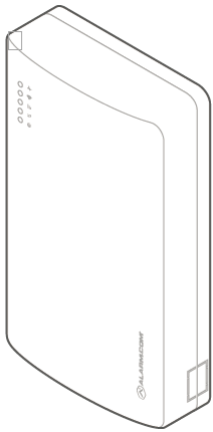
1. PURCHASE ALARM.COM SERVICE AND FILL OUT REQUIRED FORMS
2. PREPARE THE PANEL FOR INSTALLATION AND POWER DOWN
3. WIRE THE SEM TO THE PANEL
4. POWER THE SYSTEM UP AND ALLOW THE SEM TO SYNC TO THE PANEL
5. CONFIRM COMMUNICATION WITH ALARM.COM THROUGH ALARM SYSTEM STORE
6. ENJOY YOUR NEW ALARM.COM INTERACTIVE SERVICE

TO SEE A VIDEO TUTORIAL OF THIS INSTALLATION
PROCESS, SCAN THE QR CODE HERE:

STEP 1: BEFORE YOU START

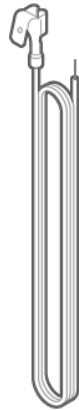
- 1. PURCHASE AN ALARM.COM INTERACTIVE SERVICE FROM ALARM SYSTEM STORE AND COMPLETE THE INSTRUCTIONS IN THE ACTIVATION EMAIL.**
- 2. ENSURE YOU HAVE ALL OF THE COMPONENTS NEEDED FOR YOUR SEM300 INSTALLATION:**

SEM300 MODULE



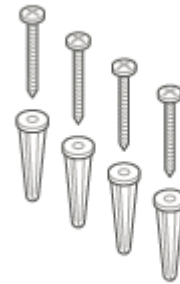
RED BATTERY

CONNECTION WIRE



WALL ANCHORS

AND SCREWS



STEP 2: PREPARE THE SYSTEM FOR INSTALLATION AND POWER DOWN

PREPARE THE SYSTEM

BEFORE POWERING DOWN THE SYSTEM:

EXECUTE *96

Enter programming and execute *96 to reset the account number and initialize the downloader. Then, exit programming via *99.

ENABLE THE KEYPAD ADDRESS

The default keypad address the SEM uses is Keypad 8 Device Address 23. If this keypad address is disabled, the SEM and panel will not communicate properly. However, at first power-up, the SEM will attempt to enable this address automatically. If unsuccessful, the address must be enabled manually via programming *196.

DISARM AND POWER DOWN THE PANEL

1. Verify the panel is disarmed and clear of any alarms, troubles, or system faults.
2. If you do not know the current installer code, check the installer code at the panel before powering down the panel.
3. Then remove AC power and disconnect the backup battery to completely power down the system.

AFTER POWERING DOWN THE SYSTEM:

REMOVE THIRD PARTY COMMUNICATION

If there are any third-party communicators installed or a POTS line connected to the panel, remove them.

The SEM is not compatible with POTS, IP/GSM devices, or other third-party communicators. Therefore, the SEM should be the only communication device installed for alarm signaling to the monitoring station.

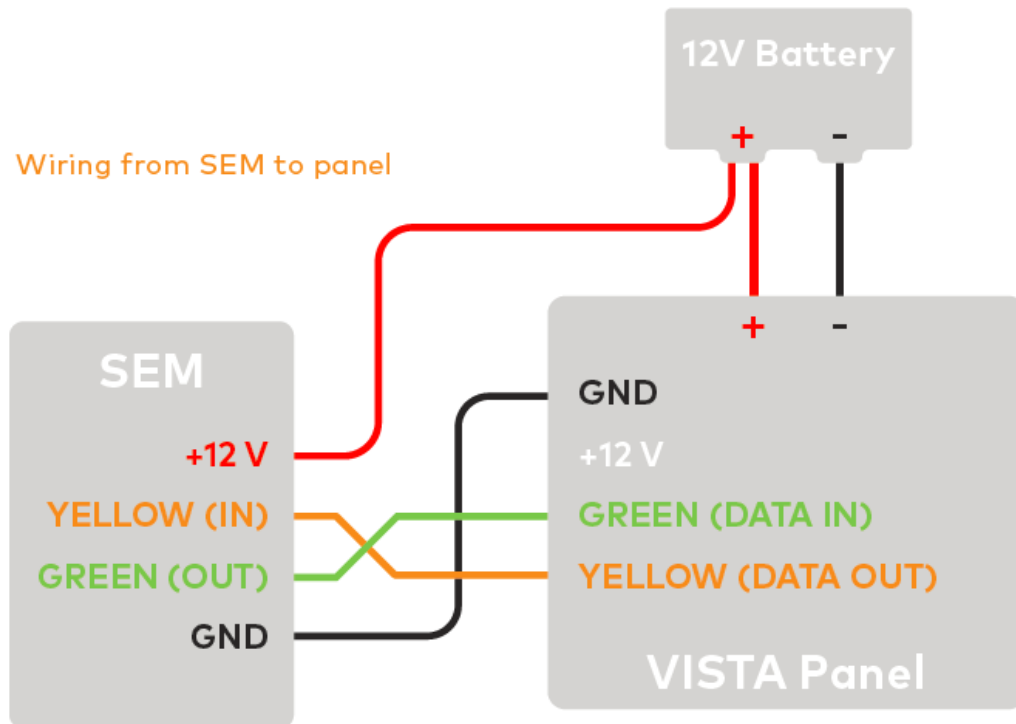
INSPECT FOR PERIPHERAL DEVICES

1. Take inventory of all peripheral devices (wireless receivers, zone expanders, keypads, power supplies, etc.) wired to the system.
2. Inspect the wiring to verify there are no loose ends or intermittent connections between the device and system. The presence of peripheral device issues can often cause the SEM installation process to take longer than expected.

STEP 3: CONNECTING THE SEM

WIRING

Important: If you do not know what this means, disregard this sentence. Alternate wiring is required when using this device for ETL installations. (+12v wire from the SEM will go to the +12V terminal on the panel)



TO WIRE THE PANEL:

1. Connect panel terminal 4 (GND) to SEM GND, panel terminal 6 (GREEN: DATA IN FROM KEYPAD) to GREEN (OUT), and panel terminal 7 (YELLOW: KEYPAD DATA OUT) to YELLOW (IN).
2. Using the included red cable with the two-prong battery connector, connect the battery to both the SEM and the panel. For a power limited circuit, ensure the fuse is inside the Vista panel.
3. Connect an Ethernet cable to the pre-installed Ethernet jack to utilize Dual-Path communication. Local network changes may be required before the broadband path activates.
4. Remove the snap-off plastics from the enclosure side at the desired locations, then route the cables around the internal strain relief walls and out the side of the enclosure.
5. Before completing the mounting, verify the wiring connections are secure and all internal components are in their proper location.
6. Then close the enclosure by sliding the cover into the mounting points at the top of the enclosure base and then swinging down the cover to snap the thumb tabs into place.

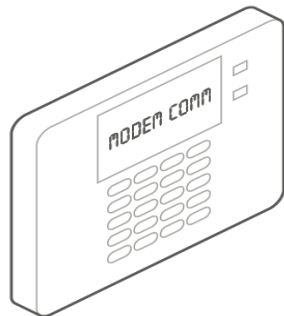
STOP! At this point the Alarm.com account must be created. Submit your activation form if you have not already and wait for csr@alarmsystemstore.com's response and instructions.

STEP 4: POWER THE SYSTEM UP AND ALLOW THE SEM TO SYNC WITH THE PANEL

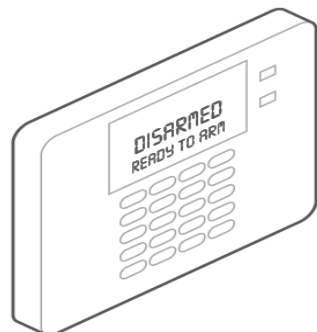
ZONE SCAN

1. Reconnect the backup battery and restore AC power to the panel. On power-up, the SEM will enter programming to read the current installer code programmed at the panel, then perform a zone scan to read the existing zone information and settings programmed at the panel. During this process, the SEM will also automatically program-specific panel settings needed for the SEM to perform properly. The settings programmed are identified in INSTALLATION SETTINGS.
2. The zone scan will automatically begin after the panel is powered up. On the keypad you will see a series of disarms and programming setting changes before seeing MODEM COMM on the screen. If you have a non-alpha keypad, the keypad will show CC instead of MODEM COMM.
 - Zone scan (~5 minutes):

Caution: Do not touch the panel or keypad.



- If you do not see the MODEM COMM message appear on the keypad during zone scan and instead notice the keypad scrolling through each zone individually, the SEM is using an alternate zone scan method because it is unable to access the downloader
3. When the zone scan is complete, the keypad will display the home screen. Your SEM300 is now finished uploading information to the Alarm.com account and is ready to use!
 - Zone scan complete:



IF YOU HAVE A CENTRAL STATION ACCOUNT YOU ARE ACTIVATING AS WELL, YOU MAY NOW PROCEED WITH THE ACTIVATION AND TESTING FOR IT. OUR CUSTOMER SERVICE (csr@alarmsystemstore.com) WILL INFORM YOU ON HOW TO TEST YOUR SYSTEM AND FINISH YOUR ACTIVATION.

**CONGRATULATIONS! YOU HAVE JUST
INSTALLED YOUR SEM300!
YOU ARE READY FOR STEP 6: ENJOY
YOUR ALARM.COM INTERACTIVE PLAN**