



ALARM.COM®

Smart Water Valve+Meter Data Sheet

ADC-SWM150

www.alarm.com

© 2020 Alarm.com. All rights reserved. 201104

Specifications

Power:
100-240 VAC (50/60 Hz)

Operating temperature:
14°F to 185°F (-10°C to 85°C)

Operating humidity:
0% to 95% non-condensing

Requirements:
For indoor use only
Alarm.com or Building36 system
Expansion tank for water heater

Valve:
Size: 1"
Threads: Male NPT

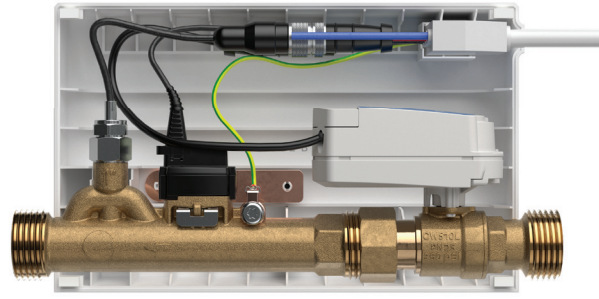
Control Unit dimensions:
2.75 x 4.0 x 1.25" (6.99 x 10.2 x 3.18 cm)

Meter and valve dimensions:
(with enclosure): 11 x 3.75 x 5.75"
(27.9 x 9.53 x 14.6 cm)

Actuator and valve dimensions:
4.5 x 2.0 x 3.75" (11.43 x 5.08 x 9.53 cm)

Power supply cable length:
19.7' (6 m)

Plumbing certifications:
ICC-ES-PMG
(compliance with NSF 61 and NSF 372)
Massachusetts Accepted Plumbing
Products Registry



Overview

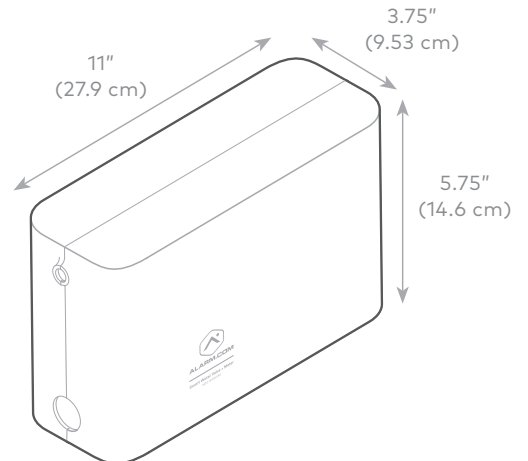
The Smart Water Valve+Meter uses cutting-edge technology to monitor your water usage and detect leaks of any size, anywhere in your home. Whether it's a burst pipe or a dripping faucet, have peace of mind that your home is protected against water damage. Set up rules to automatically shut off your main water supply when a leak is detected by the Smart Water Valve+Meter or water sensor (sold separately, not required). Get informed about your water consumption and take action to lower your water usage.

Features

- Whole-home leak detection
- Water consumption monitoring
- Automatic water damage prevention
- Remote water valve control
- Integrates with water sensors
- Modular design

Included accessories

- ADC-SWM150 Control Unit
- Brass valve and meter
- Plastic enclosure
- Actuator
- Mounting plate
- Drywall anchors & screws (x2)
- Cable ties (x3)
- Power adapter
- Installation guide



* Additional parts required: Installation requires fittings to connect the ends of the valve to the pipe. The type of fittings needed will depend on the existing pipe size, material, and threading type as well as applicable plumbing codes.