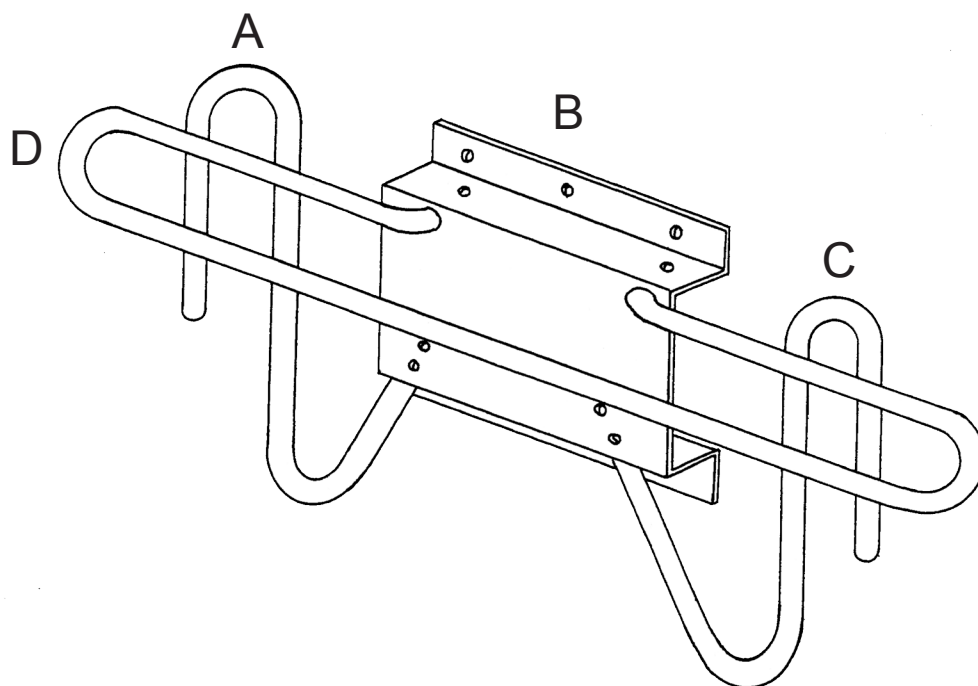


ASSEMBLY INSTRUCTIONS FOR THE WOLF TRI-RAK APRON AND GLOVE HANGER STOCK #16400



Insert glove holders (A and C) into holes on the bottom of the wall holder (B) and screw them in with the screws provided.

Insert apron hanger (D) into holes at the top of the front of the wall holder (B) and screw it into place with the screws provided.

Screw the assembled unit onto the wall using the 6 holes provided in the wall holder. Use heavy screws appropriate to the material being attached to.

The type of screws required would depend on the material it is being attached to; wood, plasterboard etc. For the weight, you should figure 15 pounds for an apron and gloves are 4 pounds each.

100 West Industry
Court Deer Park, NY 11729
info@wolfxray.com
www.wolfxray.com
Phone: 631.242.9729
Fax: 631.242.1001

The logo for Wolf, featuring the word "Wolf" in a bold, blue, sans-serif font. The letters are thick and blocky, with a slight shadow effect.