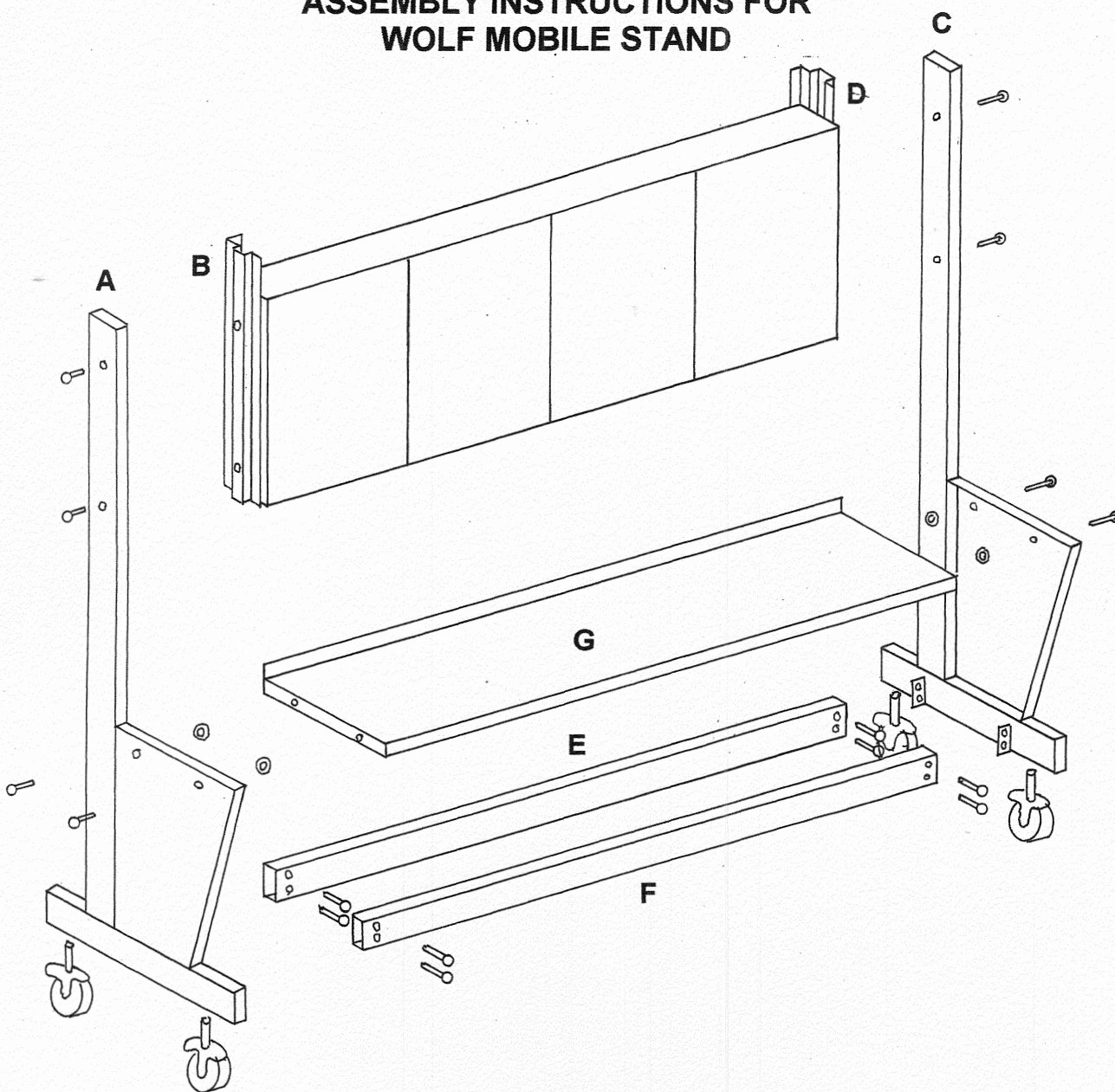


ASSEMBLY INSTRUCTIONS FOR WOLF MOBILE STAND



1. Insert casters in sockets on bottom of uprights.
2. Lay illuminator assembly on flat surface, face up.
3. Bolt left upright (A) to securing angle (B).
4. Bolt right upright © to securing angle (D)
 Note: Do not tighten uprights to the illuminator assembly until
 The 2 stringers on bottom are in place.
5. Spread uprights (A and C) and insert stringers over angles and screw the bolts (8
 provided) into the holes.
6. Tighten all bolts.
7. Place table (G) over table gussets and screw in place.