



Manufacturers of Imaging Accessories

## WOLF X-RAY PODO-LITE INFORMATION



ISO 13485



All Wolf Illuminators Conform to UL60601-1 and are Certified to CAN/CSA C22.2 No. 601.1

ISO 9001/EN406001 Compliant

**Our Stock Number: 21506-N (120 volt and 60 cycles)**

**Also available: 21506-220 (240 volt and 50/60 cycles)**

Viewing Area Specifications: 24"W X 12"H

Wall Mounted Specifications: 24 $\frac{1}{8}$ "W X 13 $\frac{1}{2}$ "H X 3 $\frac{1}{2}$ "D

Shipping Box Dimensions: 26" X 20" X 8"

Shipping Weight: approximately 15 lbs.

The 12" X 24" viewing area makes the Podo Lite perfect for the Podiatrist.

The Podo Lite can be desk mounted, wall hung or recessed in the wall. The Podo Lite features steel construction, a white baked-on enamel finish, Magic Grip film retainer, two fluorescent lamps (20 watts each) a rocker switch and a 6' power cord with 3-prong plug.

For recessed units, cut wall opening 24 $\frac{1}{4}$ "W X 13 $\frac{3}{4}$ "H and order the Recessing Kit (27506). The recessing frame is approximately 1.5lbs in shipping weight.



### Podo-Lite Components

- #1 Film Grip
- #3 Power Cord
- #5 Power Sticker
- #6 On/Off Switch Fuse  
(located on front)

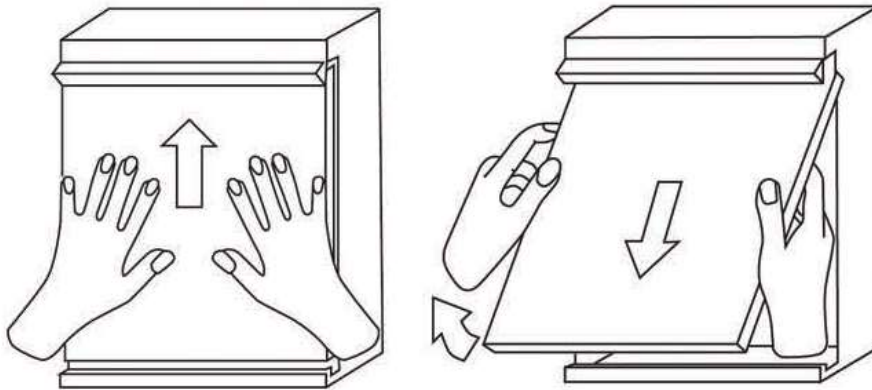


Manufacturers of Imaging Accessories

### Podo-Lite Operating Instructions

The illuminator is turned on via on/off switch. To view an X-Ray film, insert the film under the film grip and turn on the viewing area.

### Podo-Lite Plexiglas Removal Instructions



To remove the Plexiglas front panel (per the image above): with the unit in the upright position, slide the plexiglas upward until it clears the bottom groove.

When clear of the bottom groove, pull the plexiglas down & out.

### How To Replace Bulbs

1. Disconnect the power
2. Follow instructions for plexiglas removal above
3. Replace bulb with bulb #21506-25
4. Replace Plexiglas
5. Reconnect power

NOTE: Fluorescent lamps require a minimum of 50 degrees F air temperature to light properly.

### Podo-Lite Wall Surface Mounting Instructions

First remove the Plexiglas front panel per instructions written above. Then to install unit on the wall: using the keyholes provided, screw the Illuminator into the wall studs. Remember to locate your illuminator within reach of an appropriate outlet.

NOTE: Mounting hardware not included. Different wall surfaced require their own kind of mounting hardware. Please use mounting hardware appropriate for your wall surface.



## Podo-Lite Recessing Kit Installation Instructions

To install the recessing frame:

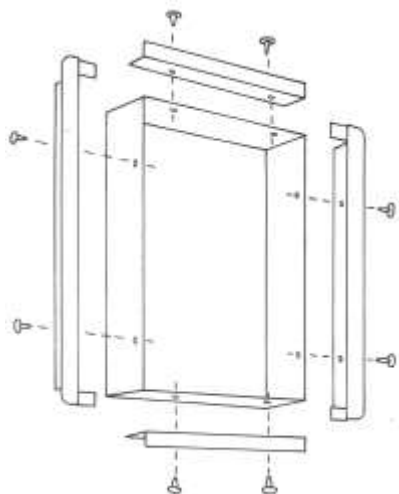


Figure 1

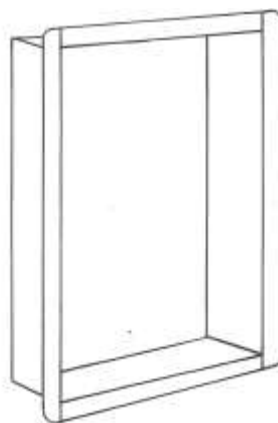


Figure 2

<u>Recessing Kit Parts List</u>	
Part	Quantity
Side frame	2
Top/bottom frame	2
#6 self tapping screws	as required

NOTE: to recess your illuminator, you must have the recessing kit #27506. Wolf recessing kits are made to be used with Wolf manufactured viewboxes only. Do not attempt to use them with any other manufacturer's viewbox. Wolf recessing kits will only fit Wolf viewboxes manufactured after May 2000.

As shown in Figure 1, the frame consists of four sections that screw into the body of your illuminator via screws and pre-punched holes.

Using the screws and holes provided, screw in the 2 vertical frame sections first. Then using the screws and holes provided, screw in the 2 horizontal frame sections (the flange on the vertical sections will overlap behind the horizontal sections).

Your illuminator will now look like the image shown in Figure 2 and is ready to install in the wall.



To install the framed illuminator in the wall:

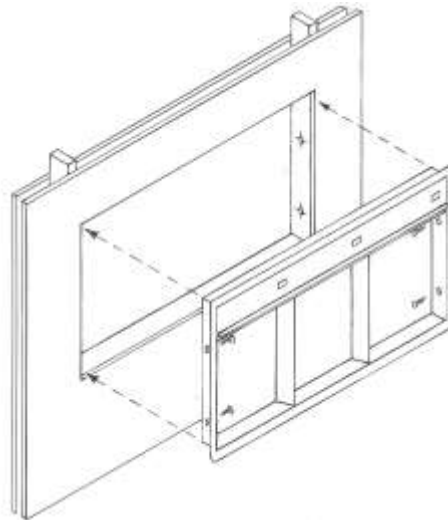


Figure 3

First, remove the plexiglas viewing panel following the instructions above.

Cut an opening in the wall with the dimensions 24¼"W X 13¾"H.

Frame the wall opening with 2x4s, remove the left and right side reflectors from the illuminator assembly and drill two 3/16" diameter holes in the side of the body approximately 3" from the top and bottom on both sides (as shown in figure 3).

Punch out the knock out, and attach a junction/connection box (not supplied) to the unit. Run power line into the junction/connection box and connect to the wires from the illuminator. (NOTE: electrical connections must be done in accordance with local codes by a licensed electrician). The supplied power cord is not to be used for recessed installation.

Install the assembly into the wall opening and fasten with #10 screws (not provided) using the drilled holes. Replace the reflectors and Plexiglas.

For walls other than stud construction, a wood frame should be inserted into the wall to secure the illuminator assembly.

### Replacement Parts and Product Specifications

Line Cord	On/Off Switch	Ballast	Socket	Bulbs	Amps	Fuse
21104-32	21104-99	21520-23	21105-19	(2) 21506-25	0.5	20 amp slo bl