



INSTRUCTIONS FOR USE

Stock # 16400 Tri Rack (Apron & Glove)

Stock # 16415 Glove Rack Kit

Stock # 16421, 16422, 16424, 16427, 16429 Peg Rack

Stock # 16410 Wall Mounted Penta Rack

REF



1) Indication for use:

Prolong the life of your aprons and skirts by hanging them properly. Holds aprons and skirts on pivot arms.

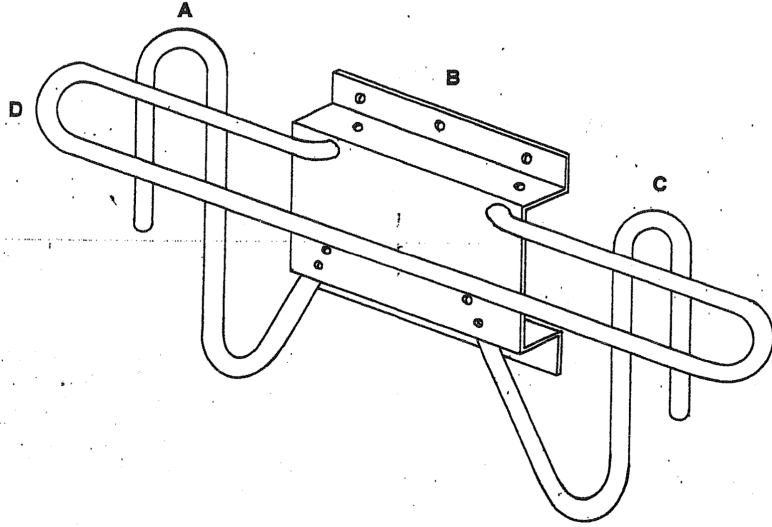
Apron Racks

2) Instructions for Use

Note: It is always recommended to

TRI-RACK

- Insert glove holders (A and C) into holes on the bottom of the wall holder (B) and screw them in with the screws provided.
- Insert the apron hanger (D)-into the holes at the top of the front of the wall holder (B) and screw it in place with the screws provided.
- Screw the assembled unit onto the wall using the 6 holes provided in the wall holder. Note: you can reverse the assembly procedure mounting the wall holder first and then attach the glove and apron holders.



Glove-Rack Kit Add storage for 4 pairs of gloves to a Deca-Rack or 2 pairs to a Penta-Rack. Posts screw into pre-drilled holes on racks manufactured since 10/04.

PEG RACK: Screw the assembled unit onto the wall using the holes provided in the wall holder

Wall-Mounted Penta Rack: 5 pivoting arms fan out 180° from the wall. Holds up to 110 lbs. Measures 4 $\frac{5}{8}$ " H x 17" W. Center arm extends 23 $\frac{1}{2}$ " from the wall. White finish.

- 3) Routine care and cleaning instructions: Wipe clean with cloth
- 4) Precautions/Warnings:
- 5) Disposal: Product should be disposed of according to applicable local laws.
- 6) Adverse reactions: non known

rev 02, 16400, 16415, 16421, 16422, 16424, 16427, 16429, 16410

8/2021