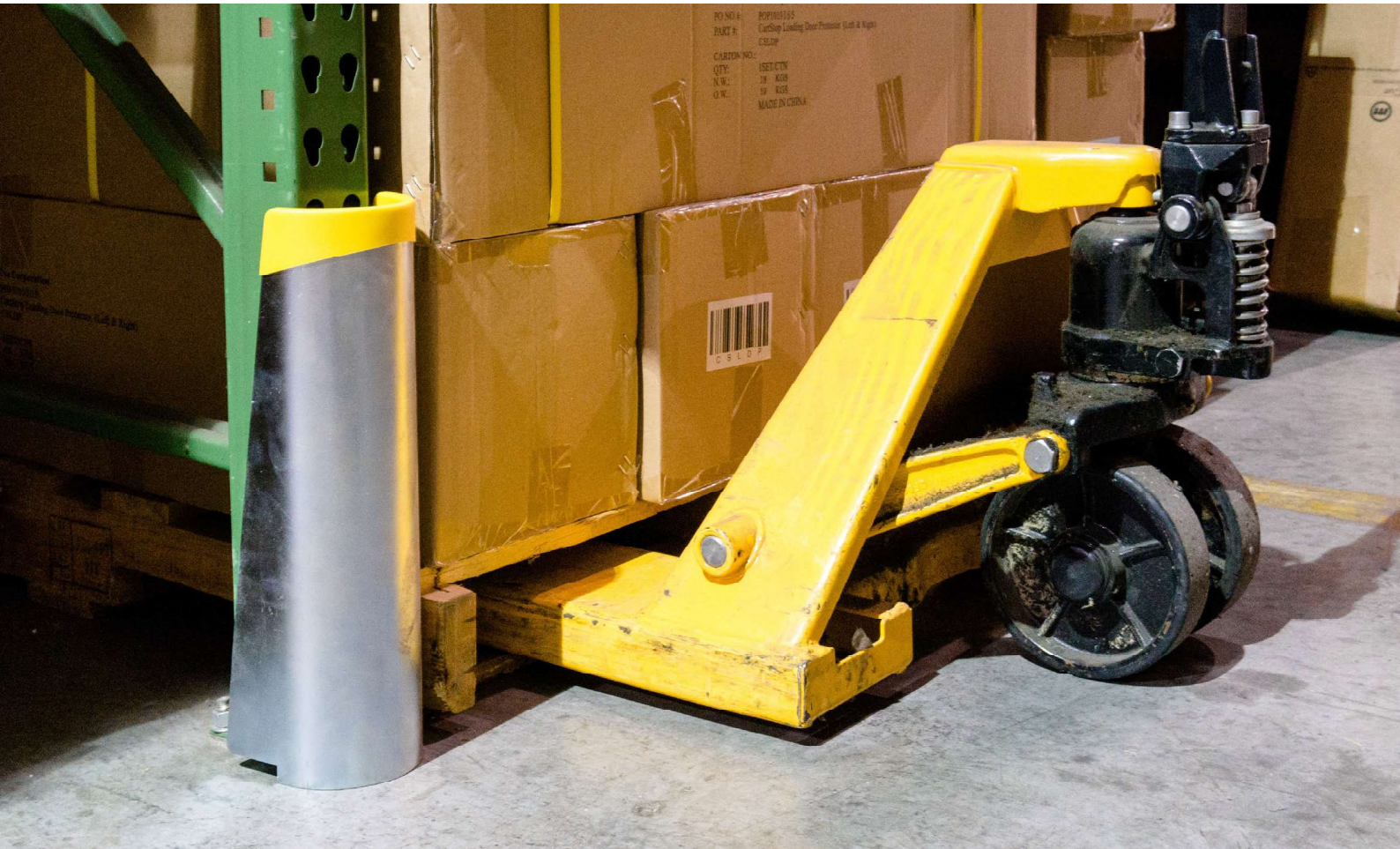


Shock-Absorbing Rack Guard



The biggest shock you'll never notice.

Hit an ordinary rack guard hard enough and the concrete will give up its hold. We engineered ours smarter—with a built in industrial-grade shock-absorber that takes stronger hits. That means your rack, floor and equipment are safer—so your business can move faster.

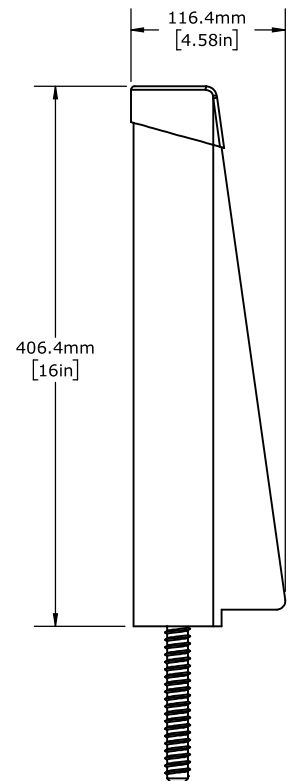
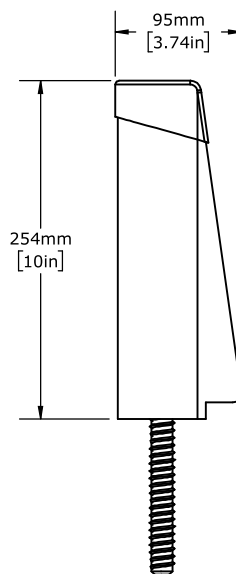
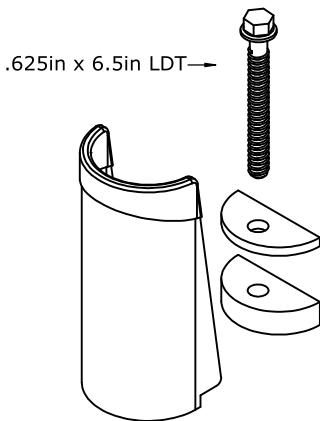
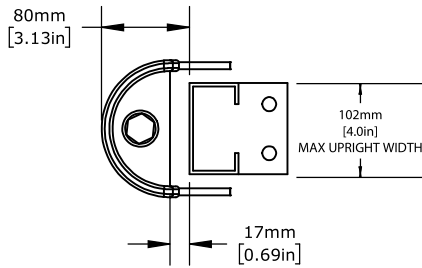
Shock-Absorbing Protect the integrity of rack columns from accidental impacts

Half-Moon Profile Produces a smooth, seamless finish that deflects impacts

Zero Maintenance Protect against rust and corrosion



Shock-Absorbing Rack Guard



10"/250 mm Shock-Absorbing Rack Guard

CSRG-SHOCK-10-KIT

Materials: Zinc plated steel 10"/250 mm Shock-Absorbing Rack Guard, rubber damper, anchor kit

16"/400 mm Shock-Absorbing Rack Guard

CSRG-SHOCK-16-KIT

Materials: Zinc plated steel 16"/400 mm Shock-Absorbing Rack Guard, rubber damper, anchor kit