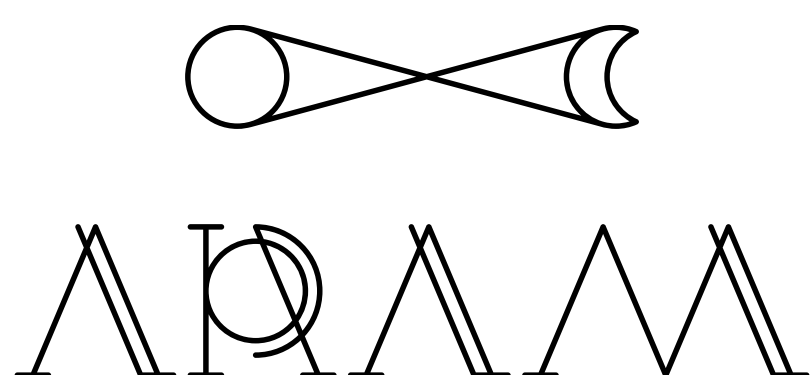


ARAM[®]

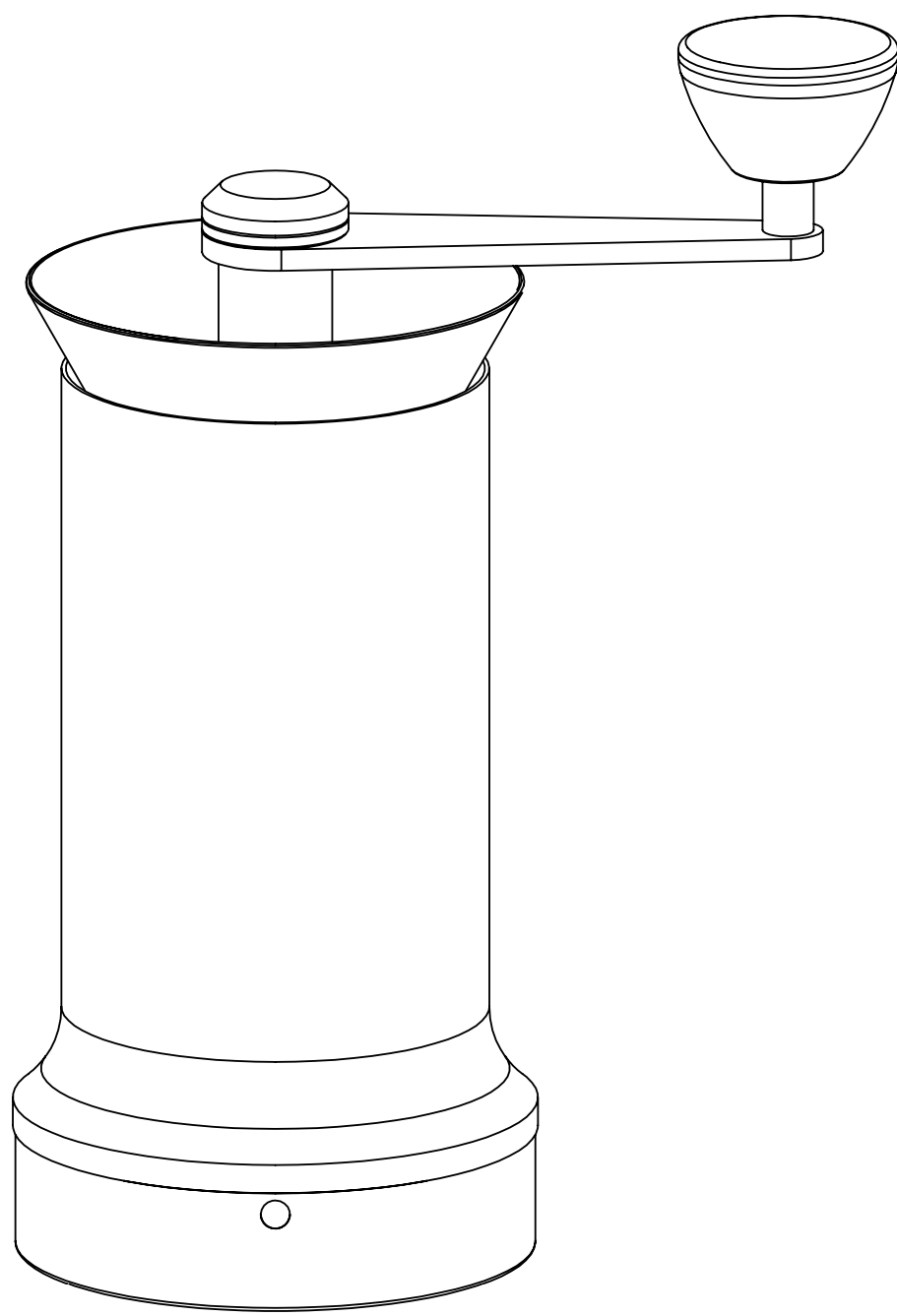
ESPRESSO MAKER

ASSEMBLY
INSTRUCTIONS

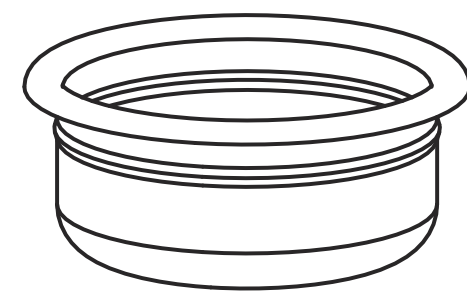


HOW TO SET UP YOUR ESPRESSO MAKER

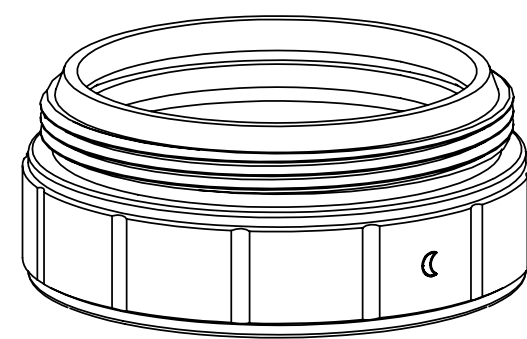
COMPONENTS



**ESPRESSO
MAKER**

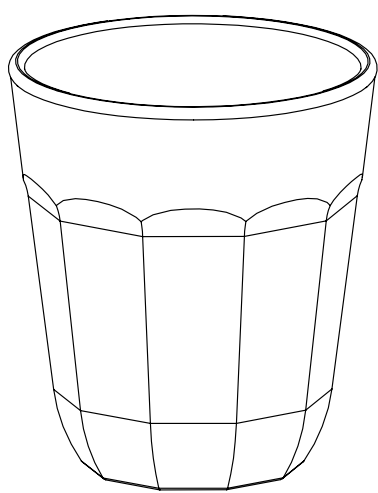


BASKET

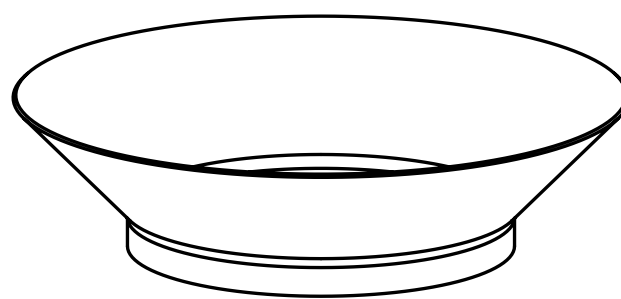


PORTAFILTER

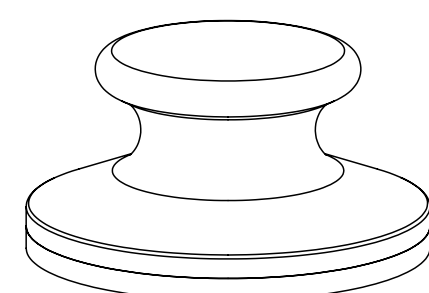
ACCESSORIES INCLUDED



GLASS SHOT

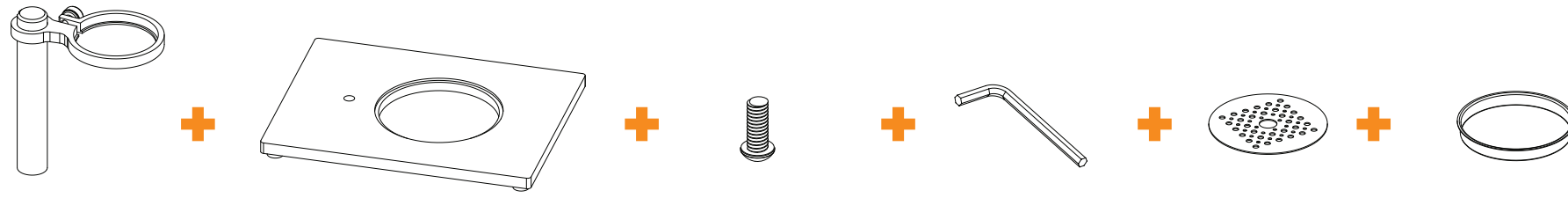


FILLING FUNNEL

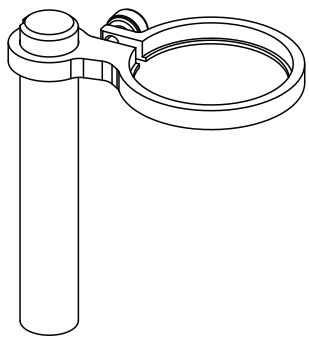


BABY TAMPER

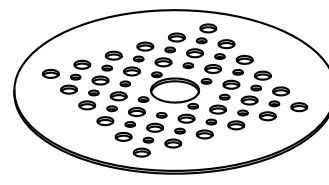
SUPPORT SET UP



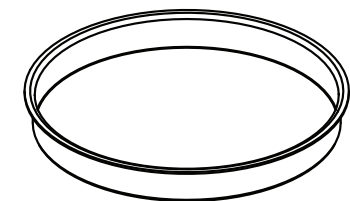
COMPONENTS



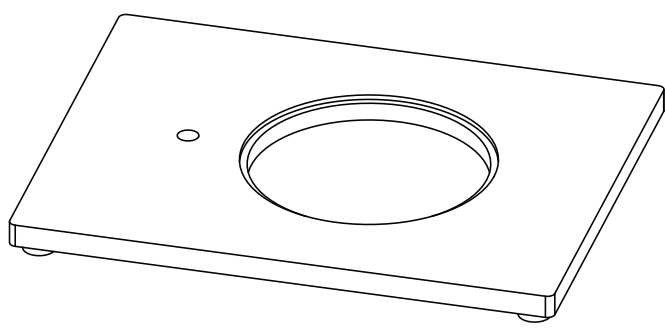
STEEL SUPPORT



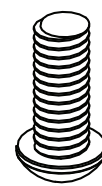
TANK LID



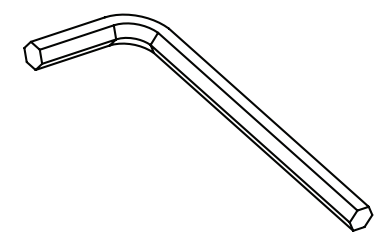
TANK



STEEL BASE



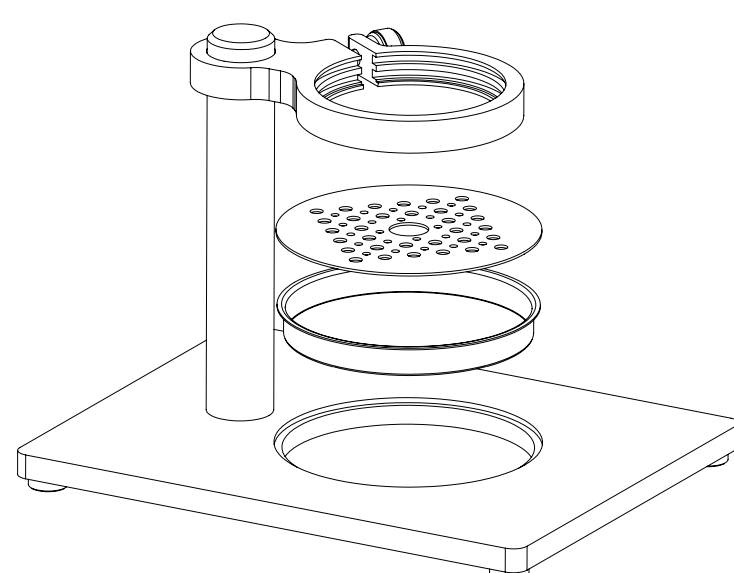
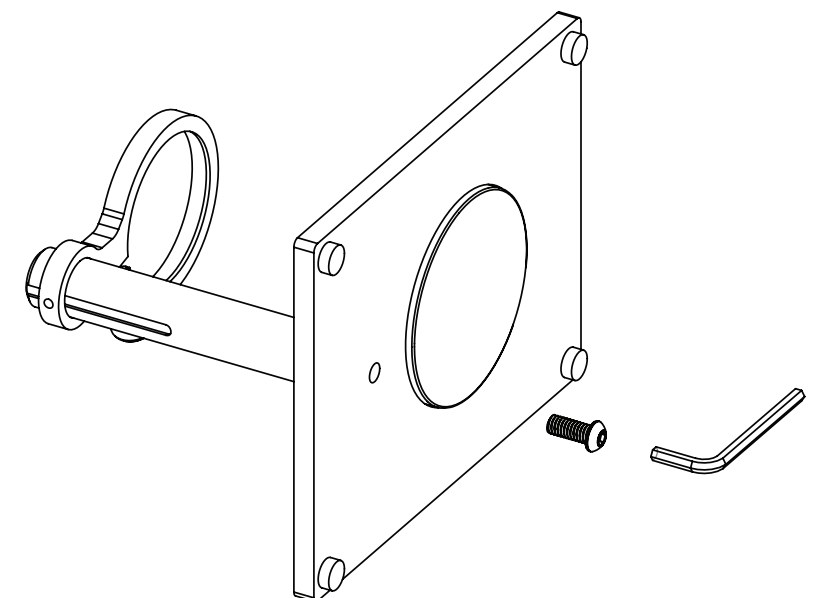
**POST
SCREW**



POST SCREW KEY
*TO SET UP BASE SCREW

HOW TO SET UP

- 1** POSITION YOUR SUPPORT ALONG THE HOLE IN THE BASE AND INSERT THE POST SCREW AND UTILIZE YOUR ALLEN KEY TO TIGHTEN IT. THE KEY COMES WITH THE KIT.

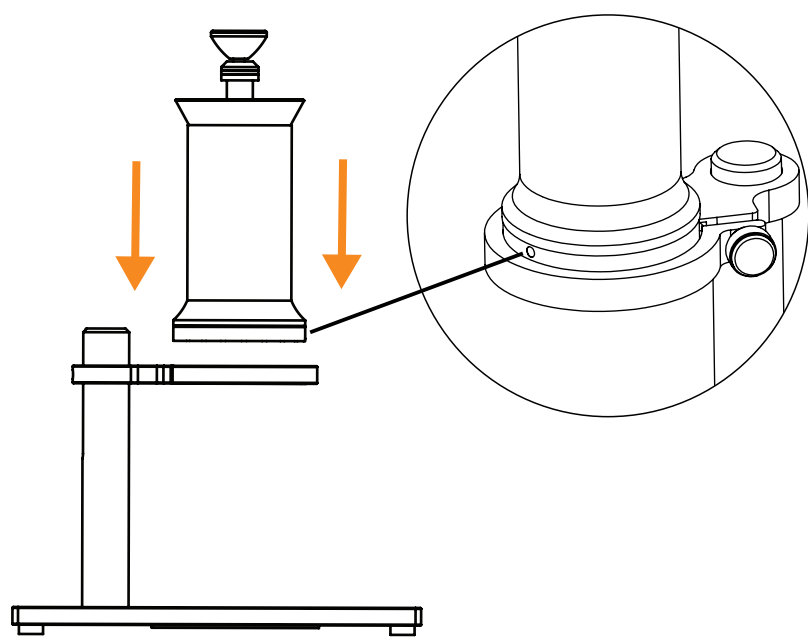


- 2** PLACE YOUR TANK AND LID AT THE BASE.

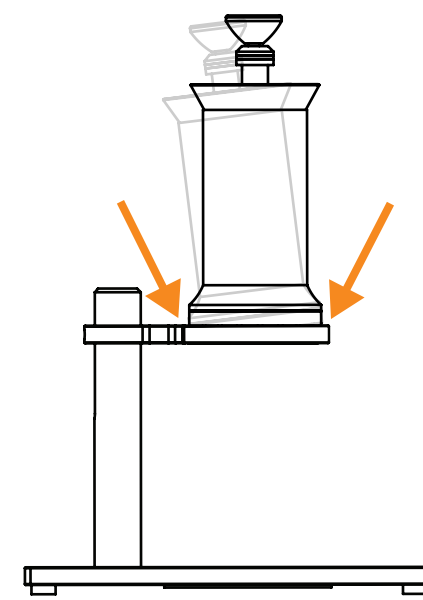
COUNTER TOP MODE

HOW TO SET UP

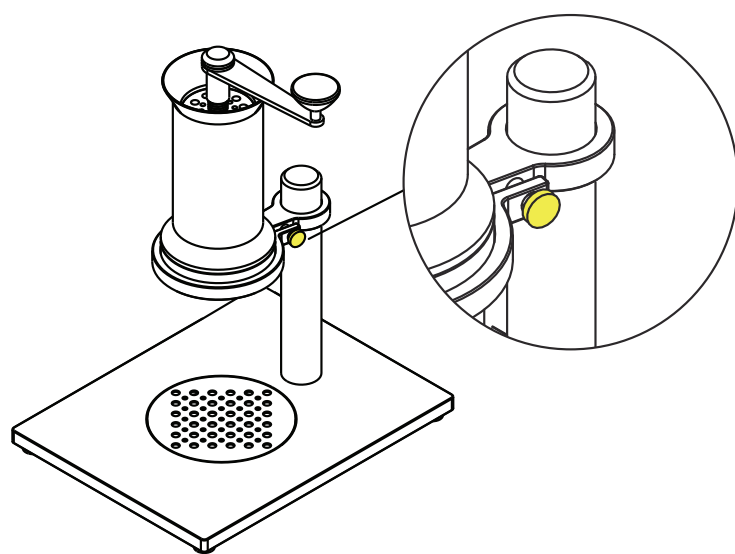
- 1** PUT THE ARAM ON THE SUPPORT WITHOUT THE PORTAFILTER. MAKE SURE THE SYMBOL OF THE SUN IS IN FRONT OF THE SUPPORT



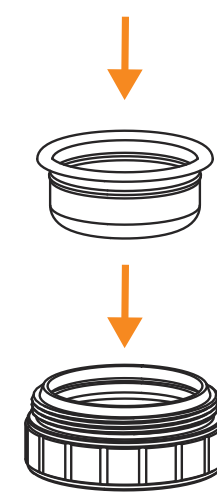
- 2** NIVEAL THE COFFEEMAKER IN THE SUPPORT, SEE IF IT'S WELL FITTED AND ALIGNED



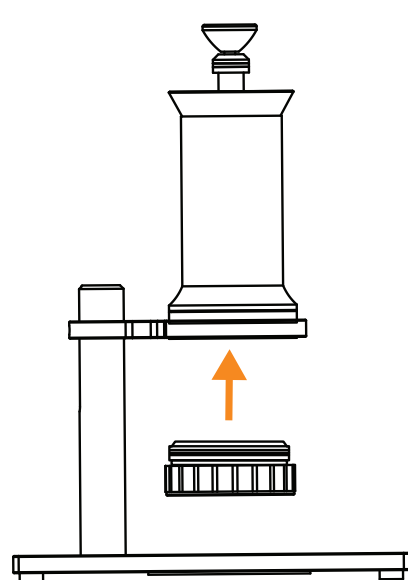
- 3** TIGHTEN THE GOLDEN SCREW, UNTIL IT GET STEADY



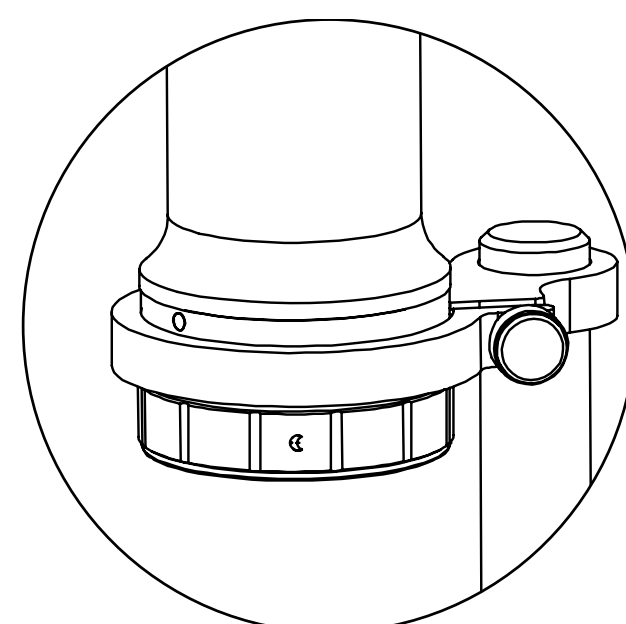
- 4** INSERT THE FILTER WITHIN THE PORTAFILTER



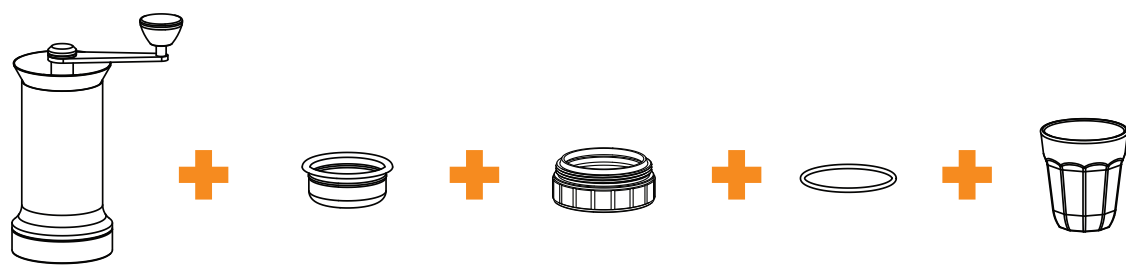
- 5** JOIN THE PORTAFILTER ON THE COFFEEMAKER, ALIGNING THE SUN AND THE MOON, SO YOU WILL FIND THE BEGINNING OF THE THREAD



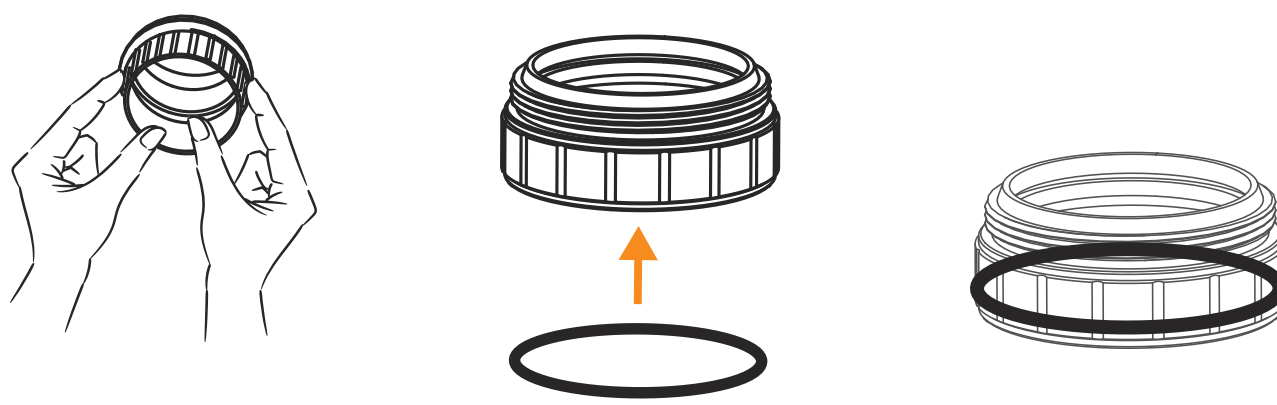
- 6** TURN THE PORTAFILTER ANTI CLOCKWISE SENSE. THE SYMBOLS DON'T NEED TO BE ALIGNED IN THE END



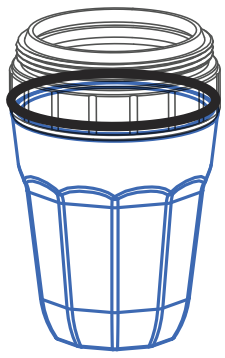
PORTABLE MODE



1 MAKE SURE THE RUBBER ADAPTER IS PLACED CORRECTLY WITHIN THE PORTAFILTER.

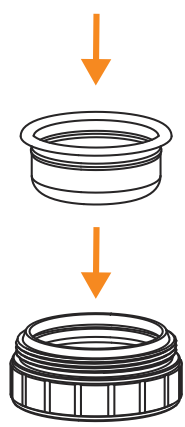


2 ACCOMMODATE THE RUBBER ADAPTER:

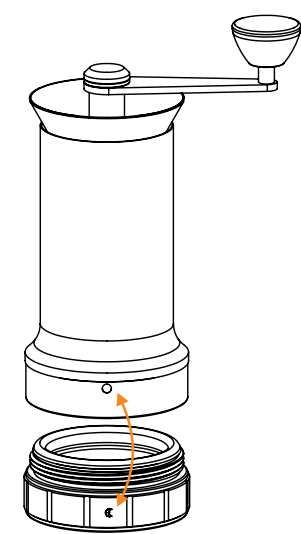


- FIT THE CUP WITHIN THE PORTAFILTER
- TURN THE CUP AND PRESS FIRMLY
- ALLOW A FEW MINUTES FOR THE RING TO ADJUST ITSELF.
- HOLD THE PORTAFILTER AND TURN THE ESPRESSO MAKER SIDeways TO REMOVE THE CUP

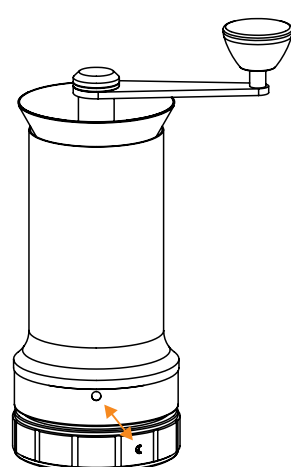
3 JOIN THE FILTER TO THE PORTAFILTER



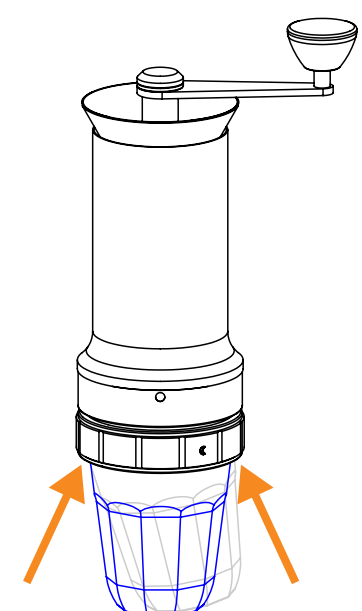
4 JOIN THE PORTAFILTER ON THE COFFEEMAKER ALIGNING THE SUN AND MOON SYMBOLS AND YOU WILL FIND THE BEGINNING OF THE THREAD



5 TURN THE PORTAFILTER ANTI CLOCKWISE SENSE. THE SYMBOLS DON'T NEED TO BE ALIGNED IN THE END



6 FIT THE GLASS SHOT ONLY WHEN WILL MAKE YOUR COFFEE. MAKE SURE THE GLASS IS LOCKED AND FIXED



ANY QUESTIONS?

GET IN TOUCH:

HELLO@ARAM.COFFEE

