



McCoy's

Leaders in Glass

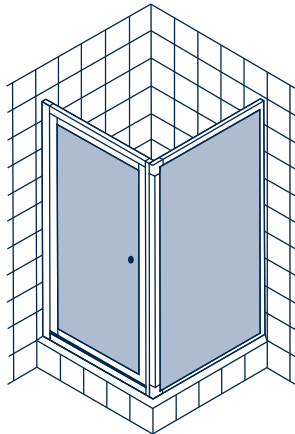
DISTRIBUTION

Johannesburg - Bloemfontein - Port Elizabeth - Durban - Polokwane - Cape Town - Pretoria - Kimberly - Rustenburg - Nelspruit - Richards Bay - Express East Gauteng - Express West Gauteng - Express North Gauteng - East London

Standard McDoor Pivot and Side Panels

Jamb Extensions of 15mm are available to complete a range size of 770mm to 1010mm for the Pivot Door. i.e. PD 860 + one jamb extension of 15mm will permit a maximum width of 875mm. Two jamb extensions of 15mm will permit a maximum width of 890mm. Will fit standard 900 x 900 shower tray.

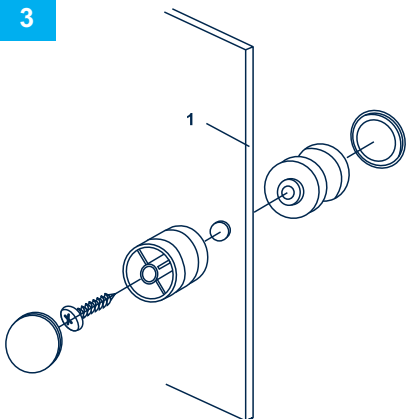
1



ASSEMBLY PREPARATIONS

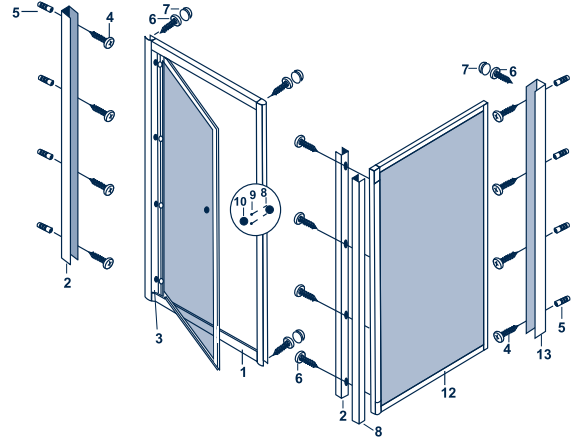
1. Check shower enclosure for damage during transportation since we can accept no liability for parts which have been installed.
2. Tools required: Drill, masonry drill bit \varnothing 6mm, metal drill bit \varnothing 3mm, Phillips screwdriver, spirit level, tape measure and pencil.
3. Tiles and edges of the shower tub must be free of dirt and grease.
4. Look out for electricity cables and water pipes when drilling.

3



Remove wall compensating profiles Pos. 2 from the glide door frame - set in correct positions and align as shown in sketch, mark and drill holes (\varnothing 6mm), insert dowels and screw to wall. Ensure compensating channels are vertically plumb.

2



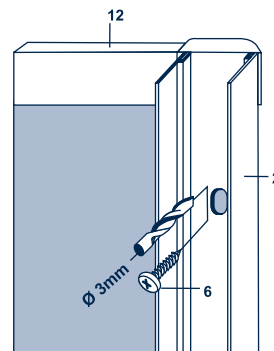
CONTENTS OF CORNER ENTRY PACKAGING

Pos.1	Pivotdoor	1pce
Pos. 2	Wall connecting profile	2pce
Pos.3	Caps	4pce
Pos.4	Pan head tapping screw 4.2x38	8pce
Pos.5	Dowel \varnothing 6mm	8pce
Pos.6	Self tapping screws 3.9x9.5	1pce
Pos.7	Caps for screws	4pce
Pos.8	Knob Handles	2pce
Pos.9	No.8x50 self tapping screws	1pce
Pos.10	Knob cover	2pce

CONTENTS OF SIDE PANEL PACKAGING

Pos.12	Side panel	1pce
Pos.13	Wall connecting profile	1pce
Pos.4	Pan head tapping screw 4.2x38 for SP from accessories PD	4pce
Pos.5	Dowel \varnothing 6mm for SP from accessories PD	4pce
Pos.6	Self tapping screws 3.9x9.5	6pce
Pos.7	Caps for screws	2pce
Pos.8	Adjustable corner post	1pce

4



Remove compensating channel from pivot door frame and fit to panel adjusting corner post (Pos.8), mark back and drill as shown in above sketch and screw the compensating channel to the corner post.
NOTE Determine the selected installation position of the side panel before further assembly. The side panel here is shown on the right.



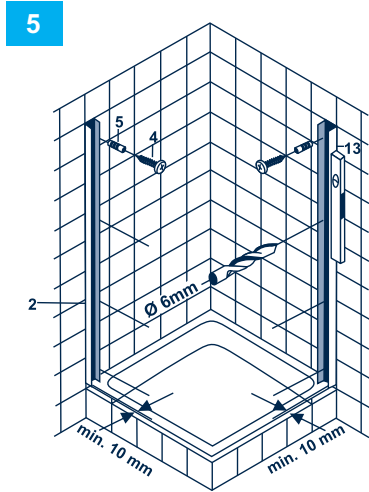
McCoy's

Leaders in Glass

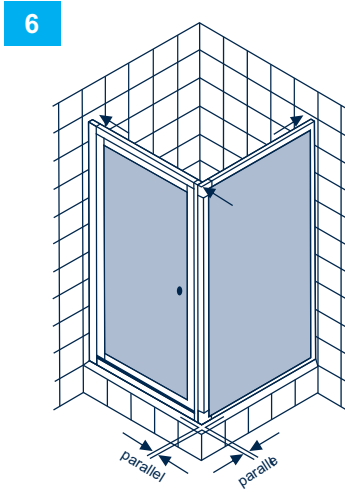
D I S T R I B U T I O N

Johannesburg - Bloemfontein - Port Elizabeth - Durban - Polokwane - Cape Town - Pretoria - Kimberly - Rustenburg - Nelspruit - Richards Bay - Express East Gauteng - Express West Gauteng - Express North Gauteng - East London

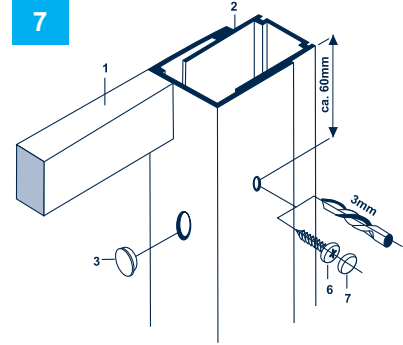
Standard McDoor Pivot and Side Panels



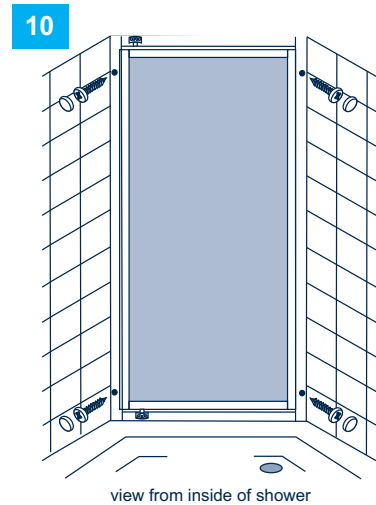
Remove the other compensating channel (Pos. 2) from the pivot door frame jamb and the panel wall compensating channel (Pos.13). Align as shown in sketch, mark wall tiles and drill 6mm Ø holes, insert fixing plugs and screw channels to wall.



Refit compensating channel with panel corner post back into pivot door jamb frame. Push pivot door (Pos.1) and side panel onto and into their respective channels that have been fixed to walls - slide the pivot door frame with corner post over and onto the panel. Align and adjust the units to their required positions. Ensure they are parallel and vertically square as well as parallel to the edge of the upstand.

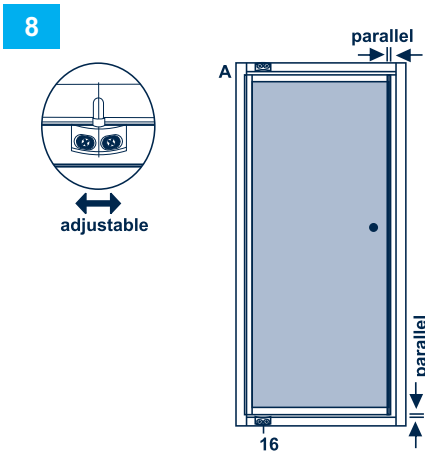


Drill 2 holes from inside in pivot door side frame with wall connecting profile (Pos. 2), side panel with pivot door side frame and side panel with connecting profile (Pos.13) as shown in sketch and screw together, using 3.9x 9.5mm stepped head screws and fit cover caps over the heads of screws. Cover holes inside frame profile with caps (Pos.3).

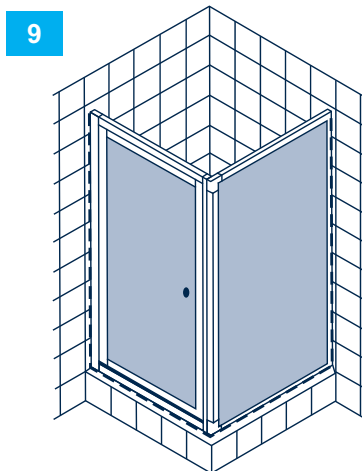


Installation in Alcoves

Remove door leaf by unscrewing the pivot holders from the frame. Pull out both wall compensating channels (Pos. 2) from frame and jambs. Align the compensating channels into their required positions on the wall ensuring they are vertically plumb. Mark the walls and drill 4 x 6mm Ø holes into the walls. Insert plugs and screw the (handle) side wall channel to the wall, slide the other compensating channel back into the pivot jamb frame that has the 4x holes. Slide the door onto and over the channel fixed to the wall - then position the frame and fix the other compensating channel through the holes in the door frame, using the 3.2x 38mm long screws (Pos. 4). Refix the door by screwing on pivot housings. Position frame centrally and vertically onto the wall compensating channels and continue as fig 6 to 9 above.



The pivot door can be aligned parallel to the door frame if necessary by loosening the pivot screws and re-tighten when door and frame are parallel (16).



Seal all joints between the wall, upstand and profiles with an approved anti-fungus silicon sealant.

Leave the shower enclosure for 24 hours before using. Use only recommend cleaning agents (no abrasives or solvents) for cleaning purposes.