



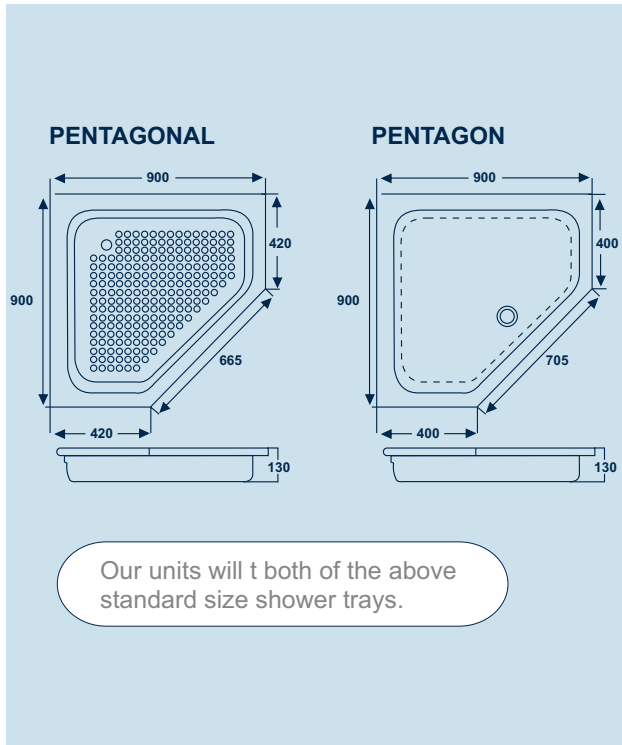
McCoy's

Leaders in Glass

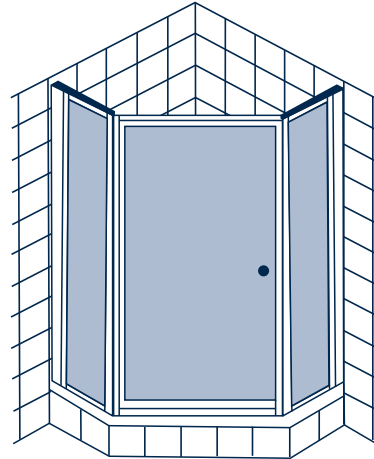
DISTRIBUTION

Johannesburg - Bloemfontein - Port Elizabeth - Durban - Polokwane - Cape Town - Pretoria - Kimberly - Rustenburg - Nelspruit - Richards Bay - Express East Gauteng - Express West Gauteng - Express North Gauteng - East London

Standard McDoor Pentagonal & Pentagon - Single Pivot & Two Side Panels at 45°



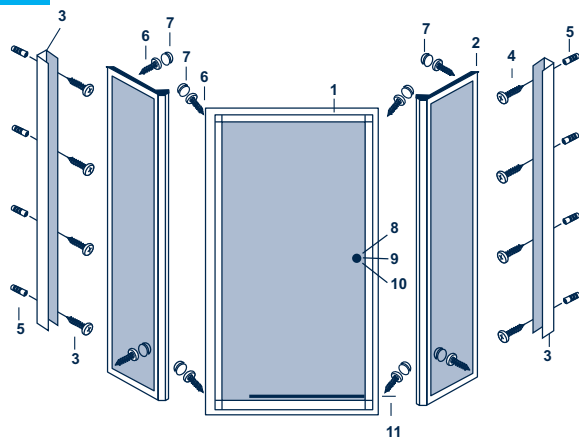
1



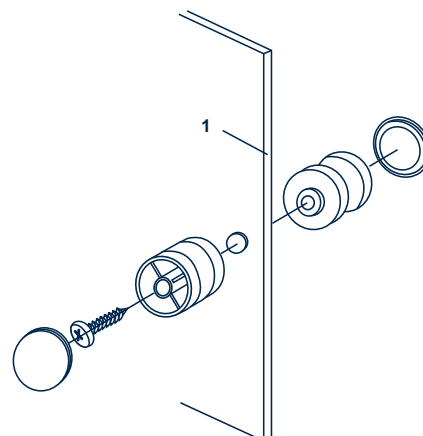
ASSEMBLY PREPARATIONS

1. Check shower enclosure for damage during transportation since we can accept no liability for parts which have been in stalled.
2. Tools required: Drill, masonry drill bit Ø 6mm, metal drill bit Ø 3mm, Phillips screwdriver, spirit level, tape measure and pencil.
3. Tiles and edges of the shower tub must be free of dirt and grease.
4. Look out for electricity cables and water pipes when drilling.

2



3



CONTENTS OF PIVOT DOOR PACKAGING

Pos.1	Pivotdoor	1pce
Pos. 2	Pentagonal side panel	2pce
Pos.3	Wallconnectingprofile	2pce
Pos.4	Pan-head tapping screw 3,5x38	8pce
Pos.5	Dowel Ø 6mm	8pce
Pos.6	Screws 3,5x9,5	8pce
Pos.7	Caps for screws	8pce
Pos.8	Knob handles	2pce
Pos.9	Knob cover	2pce
Pos.10	No 8x50 self tapping screw	1pce
Pos.11	Waterstop	1pce

Screw on knob handles fitting through hole in glass. After knob is securely fitted, fit knob covers.



McCoy's

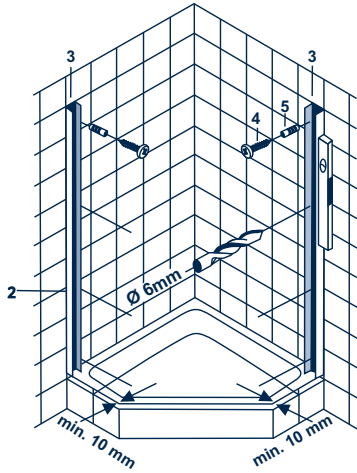
Leaders in Glass

DISTRIBUTION

Johannesburg - Bloemfontein - Port Elizabeth - Durban - Polokwane - Cape Town - Pretoria - Kimberly - Rustenburg - Nelspruit - Richards Bay - Express East Gauteng - Express West Gauteng - Express North Gauteng - East London

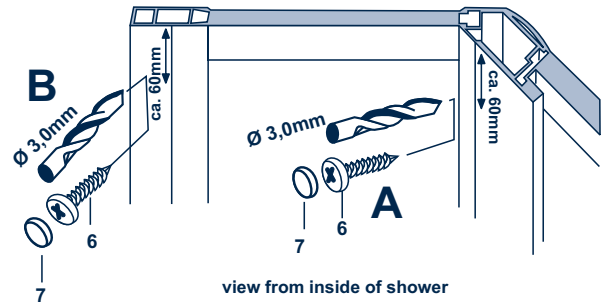
Standard McDoor Pentagonal & Pentagon - Single Pivot & Two Side Panels at 45°

4



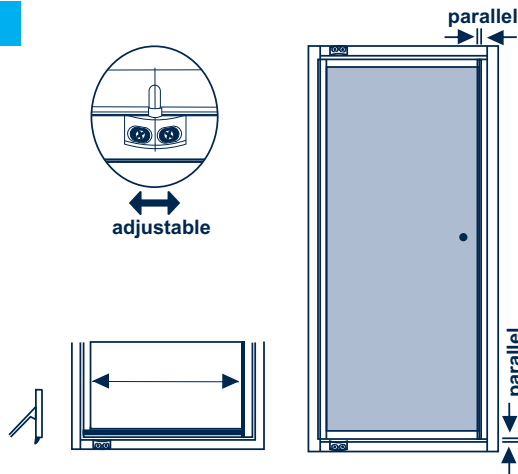
Remove wall connecting profiles (3) from side panels (2). Drill as shown in sketch and screw into place.

5



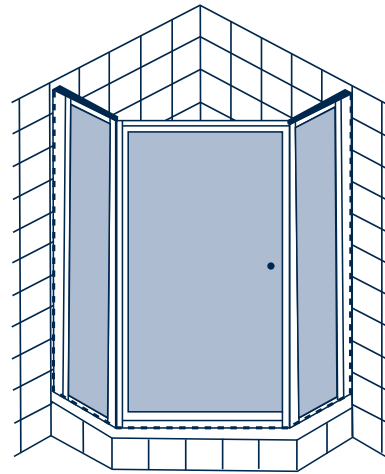
Push the two side panels (2) into the U-shaped section of the pivot door frame (1). Position the assembled shower enclosure onto the shower upstand or standard shower tray. Push into the wall connecting channel (3) and adjust the panels and pivot shower frame to suit the shower upstand or tray layout. Drill and screw the side panel to pivot door frame as per "A" in sketch. Align with spirit level and drill through wall connection channel into jamb frame of side panel as per "B" in sketch. Screw into place.

6



Measure length of water stop and cut to size. Remove film from adhesive surface and stick to inside of pivot door, sloping down towards the pivot. The pivot door can be aligned parallel to the door frame if necessary by loosening the pivot screws and re-tighten when door and frame are parallel.

7



Seal all joints between the wall, shower upstand and profiles on the outside of the unit and in the area of the fixed glass panels from inside too, using an approved anti-fungus silicon sealant. The sealing joints can be smoothed more easily by wetting your finger with detergent. Leave the shower enclosure for 24 hours before using. Use only recommended cleaning agents (no abrasives or solvents) for cleaning purposes.