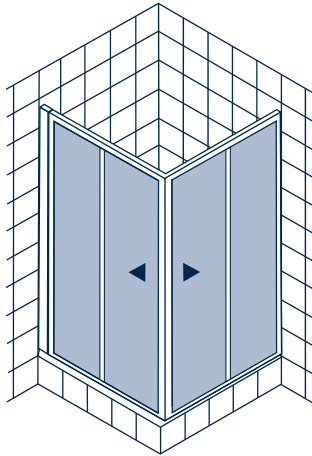




Standard McDoor Glide Corner Entry

Extra jamb extensions to give a further 15mm extension to each side are available (at an extra) to complete the range in sizes. i.e. CG 880 + 15mm will give a max size of 895mm.

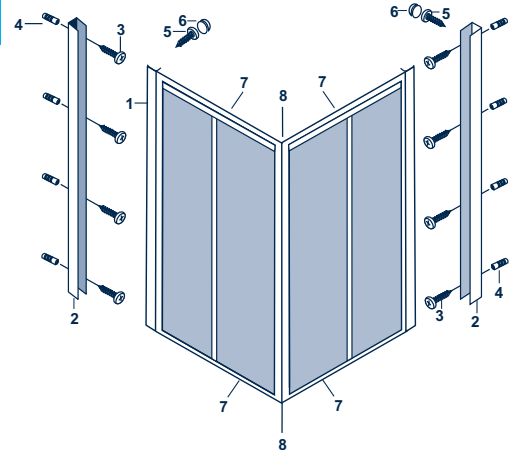
1



ASSEMBLY PREPARATIONS

1. Check shower enclosure for damage during transportation since we can accept no liability for parts which have been installed.
2. Tools required: Drill, masonry drill bit Ø 6mm, metal drill bit Ø 3mm, Phillips screwdriver, spirit level, tape measure and pencil.
3. Tiles and edges of the shower tub must be free of dirt and grease.
4. Look out for electricity cables and water pipes when drilling.

2

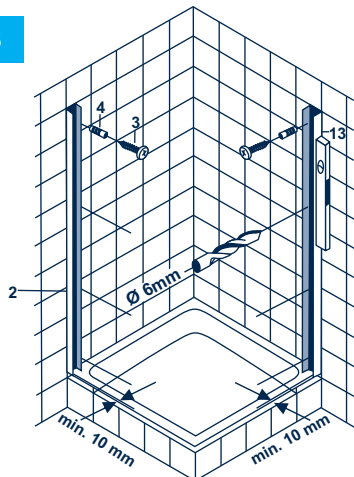


CONTENTS OF CORNER ENTRY PACKAGING

Pos.1	Glide corner entry	2pce
Pos. 2	Jamb compensating channel	2pce
Pos.3	Pan head tapping screw 4.2x38	8pce
Pos.4	Dowel Ø 6mm	8pce
Pos.5	Self tapping screws 3.9x9.5	4pce
Pos.6	Caps for screws	10pce
Pos.7	Head and cill frame covers	4pce
Pos.8	Head and cill frame	2pce
	Corner joining member	
Pos.9	Cillframepackings	8pce

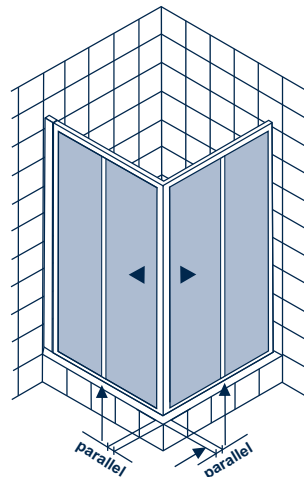
2 x 15mm Jamb frame extension profiles are supplied loose. Refer diagram no 8.

3



Remove wall compensating profiles Pos. 2 from the glide door frame - set in correct positions and align as shown in sketch, mark and drill holes (Ø 6mm), insert dowels and screw to wall. Ensure compensating channels are vertically plumb.

4



Assemble the two sides by sliding the frame corner joining member into the head and cill frame, but first apply silicon onto the parts of the joining member that slide into the frame and clean off surplus silicon after member has been fully inserted.

Carefully lift assembled frame into position and push and slide frame onto fixed wall compensating profiles (2). Align shower frame parallel to the edge of upstand. Note: Sliding leaves slid on the inside of the shower **CILL FRAME MUST BE PERFECTLY LEVEL.**

To assist in ensuring the cill frame is perfectly level we have supplied packings. If required these must be positioned under the cill frame at positions marked thus on above diagram.



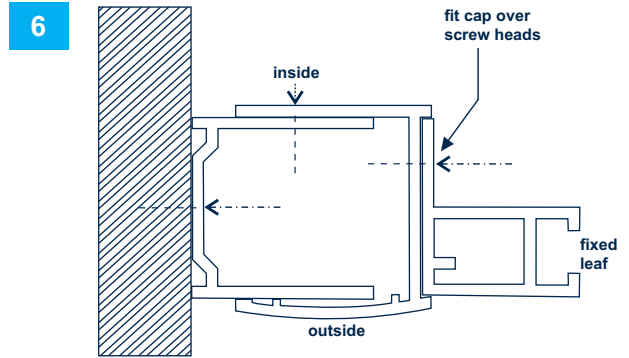
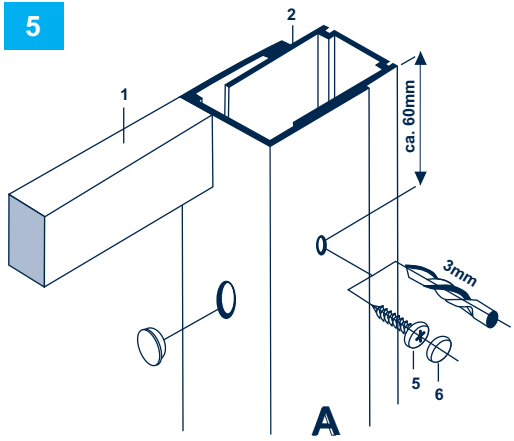
McCoy's

Leaders in Glass

DISTRIBUTION

Johannesburg - Bloemfontein - Port Elizabeth - Durban - Polokwane - Cape Town - Pretoria - Kimberly - Rustenburg - Nelspruit - Richards Bay - Express East Gauteng - Express West Gauteng - Express North Gauteng - East London

Standard McDoor Glide Corner Entry

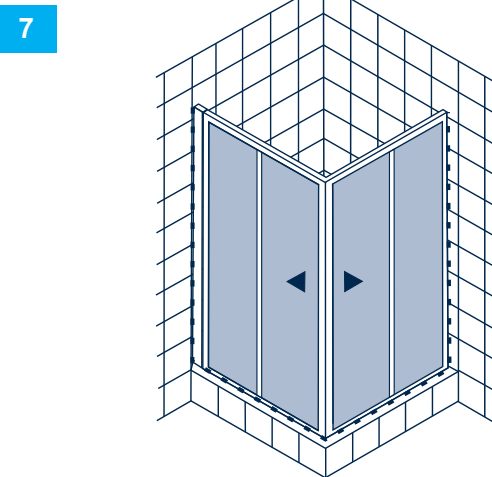


Ensure glide door frames are vertically plumb. Drill 2 holes from inside glide door side frame with wall compensating profile (Pos. 2) as shown in sketch. Screw together using 3.9 x 9.5 screws and fit caps over head of screw.

A = inside view

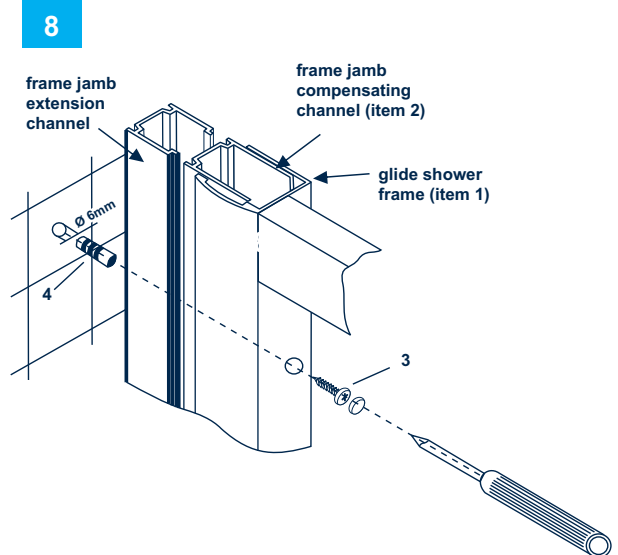
TO ACHIEVE CORRECT ALIGNMENT OF THE LEAVES THE FRAME MUST BE INSTALLED PERFECTLY PLUMB.

After completing item 5, fit cap covers to screw heads which secure fixed leaf to shower frame at wall - six caps.



Seal all joints between the wall, upstand and profiles with an approved anti-fungus silicon sealant.

Leave the shower enclosure for 24 hours before using. Use only recommended cleaning agents (no abrasives or solvents) for cleaning purposes.



The glide corner entry allows for 15mm adjustment at each wall compensating channel - if 16mm to 30mm adjustment is required. The 15mm frame jamb extension channel must be used as indicated above two extension channels are supplied loose with shower unit.