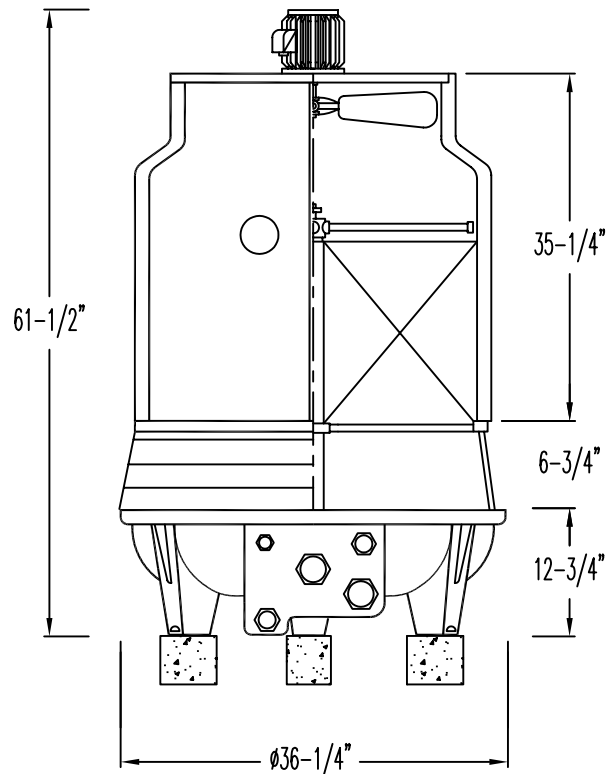
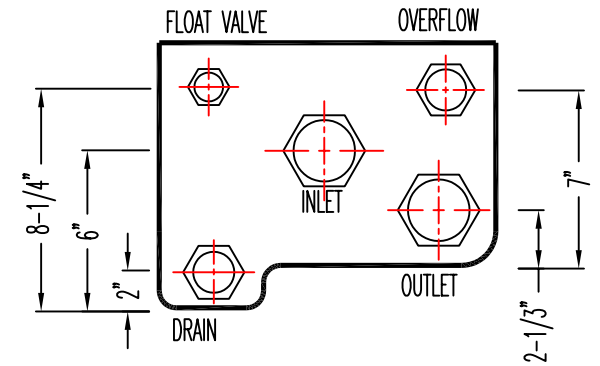


TOWER FOUNDATION



TOWER OVERALL DIMENSION



TOWER WEIGHT(Lbs)	NET WEIGHT	123
	OPERATING WEIGHT	311
LOADING POINT(Lbs)	STAND	104
	TANK	—
PIPING	OUTLET	1-1/2"
	INLET	1-1/2"
	OVERFLOW	1"
	DRAIN	1"
	AUTOMATIC MAKE-UP	1/2"
	MANUAL MAKE-UP	—

NOTES:

1. THE COOLING TOWER MUST BE LOCATED AT SUCH DISTANCE AND DIRECTION TO AVOID THE POSSIBILITY OF CONTAMINATED TOWER DISCHARGE AIR BEING DRAWN INTO BUILDING FRESH AIR INTAKES
2. ANCHOR BOLT BY OTHERS.
3. CONTINUING ENGINEERING RESEARCH RESULTS IN STEADY IMPROVEMENTS. THEREFORE, THESE SPECIFICATIONS AND DATA ARE SUBJECT TO CHANGE WITHOUT NOTICE. CONSULT WITH FACTORY FOR CURRENT CERTIFIED DIMENSIONS.

APPROVED	KM LIN	DWG TITLE:	TOWER DIMENSIONS AND FOUNDATION	
CHECKED	NQUIN	DWG DETAIL:	SPT-8	
	HUANG	DWG NO:	AFP-0008-0	DO NOT SCALE
DRAWN	ZENG			
ITEM	BY			

Serie "SPT"

Tabla de Selección

Las capacidades mostradas en esta tabla son de guía solamente y son las maximas para cada modelo cuando 3 GPM de agua por ton entrante a 95°F y saliente a 85°F. Por favor referirse a el wet bulb del área donde la torre de enfriamiento operaria. Para otros valores, por favor consulte a nuestro representante local.

MODEL	WET BULB °F (Temperatura de Bulbo Humedo)																
		65	66	67	68	69	70	71	72	73	74	75	76	77	78	79	80
SPT-8	TONS	12	12	12	11	11	10	10	9	9	8	8	7	6	6	5	5
	GPM	37	36	35	34	32	31	30	28	26	25	23	21	19	18	16	14
SPT-10	TONS	15	15	15	14	13	13	12	11	11	10	10	9	8	8	7	6
	GPM	46	45	44	42	40	39	37	34	32	31	29	27	24	24	21	19
SPT-15	TONS	24	23	22	21	20	20	19	17	16	15	15	13	12	11	10	9
	GPM	71	68	66	64	61	59	56	52	49	46	44	40	36	33	31	28
SPT-20	TONS	31	30	29	28	27	26	25	23	22	21	20	18	17	16	14	13
	GPM	93	90	88	84	82	79	74	69	66	63	60	54	50	48	43	39
SPT-30	TONS	47	47	44	43	42	39	38	35	33	32	30	27	25	23	21	19
	GPM	140	140	133	128	125	118	113	105	100	96	90	82	74	69	64	58
SPT-40	TONS	60	60	58	56	54	52	50	46	43	42	40	37	33	31	29	26
	GPM	180	180	175	168	163	155	150	138	130	125	120	110	100	93	86	78
SPT-50	TONS	77	73	70	67	65	66	62	58	55	52	50	45	42	39	35	33
	GPM	230	220	210	201	195	197	186	175	165	157	150	135	125	117	105	98
SPT-60	TONS	93	90	90	87	83	81	77	71	67	63	60	55	50	47	42	38
	GPM	280	270	270	260	250	242	230	212	200	190	180	165	150	141	125	115
SPT-80	TONS	113	113	110	107	103	100	97	92	87	83	80	73	68	64	58	53
	GPM	340	340	330	320	310	300	290	275	260	250	240	220	205	192	175	160
SPT-100	TONS	157	153	150	143	137	133	127	115	108	103	98	90	82	77	68	62
	GPM	470	460	450	430	412	400	380	345	325	310	295	270	245	231	205	185
SPT-125	TONS	200	190	187	180	174	167	157	147	138	132	123	113	103	97	88	80
	GPM	600	570	560	540	522	500	470	440	415	395	370	340	310	291	265	240
SPT-150	TONS	243	233	230	220	211	200	193	177	167	160	150	135	123	115	103	93
	GPM	730	700	690	660	632	600	580	530	500	480	450	405	370	345	310	280
SPT-175	TONS	280	270	267	250	241	233	223	207	193	183	175	157	143	135	122	110
	GPM	840	810	800	750	722	700	670	620	580	550	525	470	430	405	365	330
SPT-200	TONS	323	310	303	290	283	273	257	237	225	213	200	182	167	156	140	127
	GPM	970	930	910	870	850	820	770	710	675	640	600	545	500	468	420	380
SPT-250	TONS	400	383	383	367	355	340	323	300	282	272	252	230	210	193	177	158
	GPM	1200	1150	1150	1100	1065	1020	970	900	845	815	755	690	630	579	530	475
SPT-300	TONS	483	467	450	433	422	407	383	358	338	325	305	275	247	234	210	187
	GPM	1450	1400	1350	1300	1265	1220	1150	1075	1015	975	915	825	740	702	630	560
SPT-350	TONS	550	533	517	500	483	467	447	417	393	382	350	327	300	280	250	230
	GPM	1650	1600	1550	1500	1450	1400	1340	1250	1180	1145	1050	980	900	840	750	690
SPT-400	TONS	633	617	600	573	550	533	507	467	448	427	400	367	338	320	290	263
	GPM	1900	1850	1800	1720	1650	1600	1520	1400	1345	1280	1200	1100	1015	960	870	790
SPT-500	TONS	767	733	733	703	692	667	633	600	567	550	517	483	440	417	383	350
	GPM	2300	2200	2200	2110	2075	2000	1900	1800	1700	1650	1550	1450	1320	1251	1150	1050
SPT-600	TONS	933	900	900	867	840	817	767	717	683	650	617	567	517	484	442	400
	GPM	2800	2700	2700	2600	2520	2450	2300	2150	2050	1950	1850	1700	1550	1452	1325	1200
SPT-700	TONS	1067	1033	1000	967	958	925	892	833	800	763	733	667	617	584	533	483
	GPM	3200	3100	3000	2900	2875	2775	2675	2500	2400	2290	2200	2000	1850	1752	1600	1450
SPT-800	TONS	1267	1233	1200	1150	1125	1073	1033	967	917	883	833	767	700	654	600	533
	GPM	3800	3700	3600	3450	3375	3220	3100	2900	2750	2650	2500	2300	2100	1962	1800	1600
SPT-1000	TONS	1533	1467	1433	1400	1367	1300	1250	1167	1100	1067	1025	942	883	834	767	700
	GPM	4600	4400	4300	4200	4100	3900	3750	3500	3300	3200	3075	2825	2650	2502	2300	2100