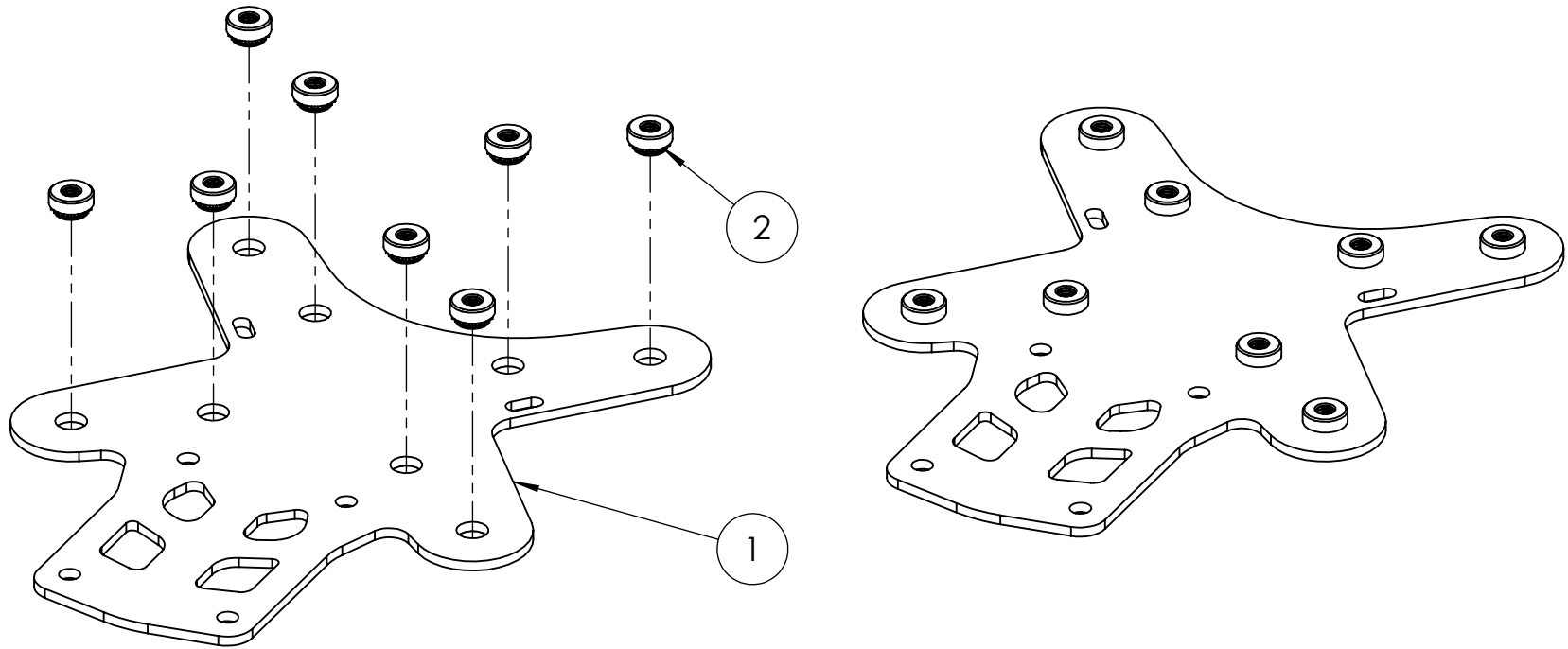




# Reverb

## Assembly Manual

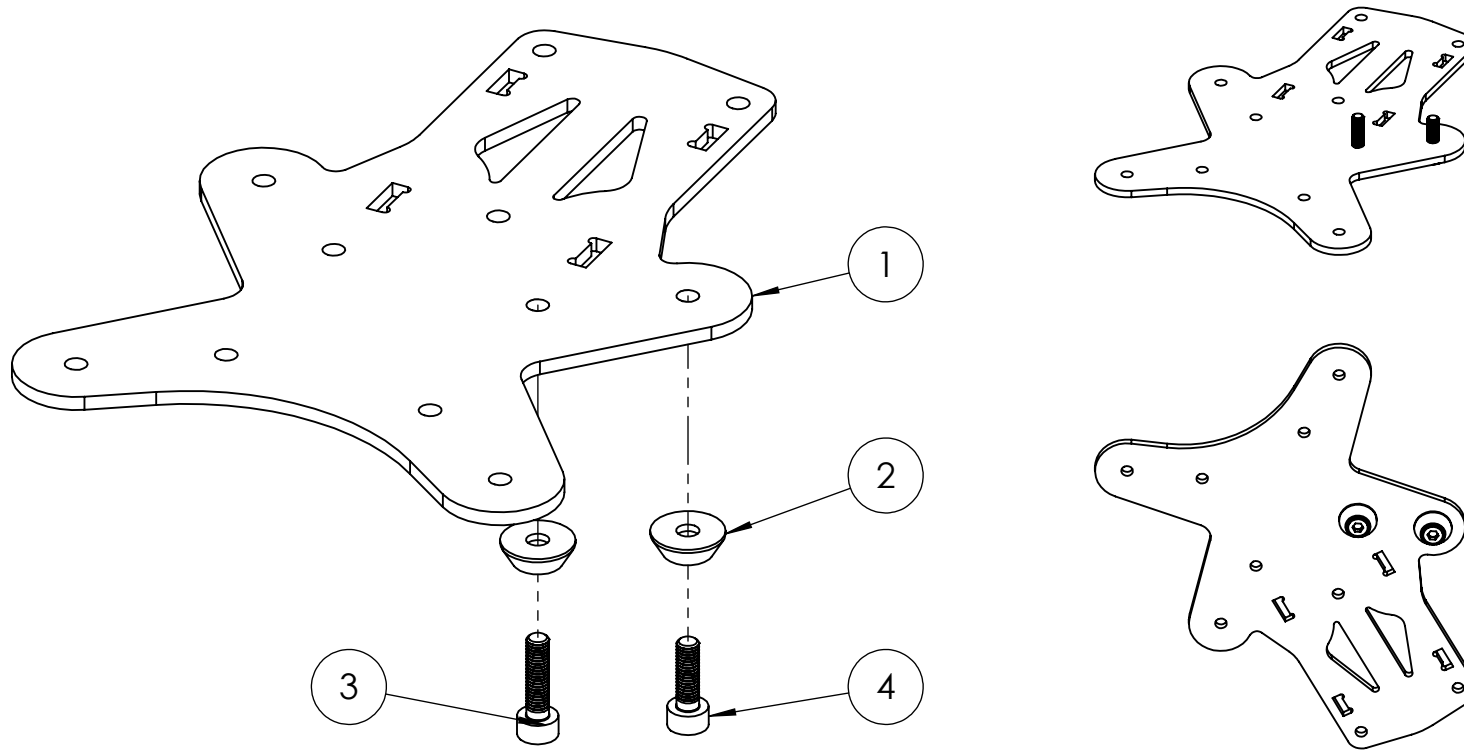
# 1. Upper Main Plate



ITEM NO.	DESCRIPTION	QTY
1	Upper Main Plate - CF 1.5mm	1
2	Insert Nut - SS	8

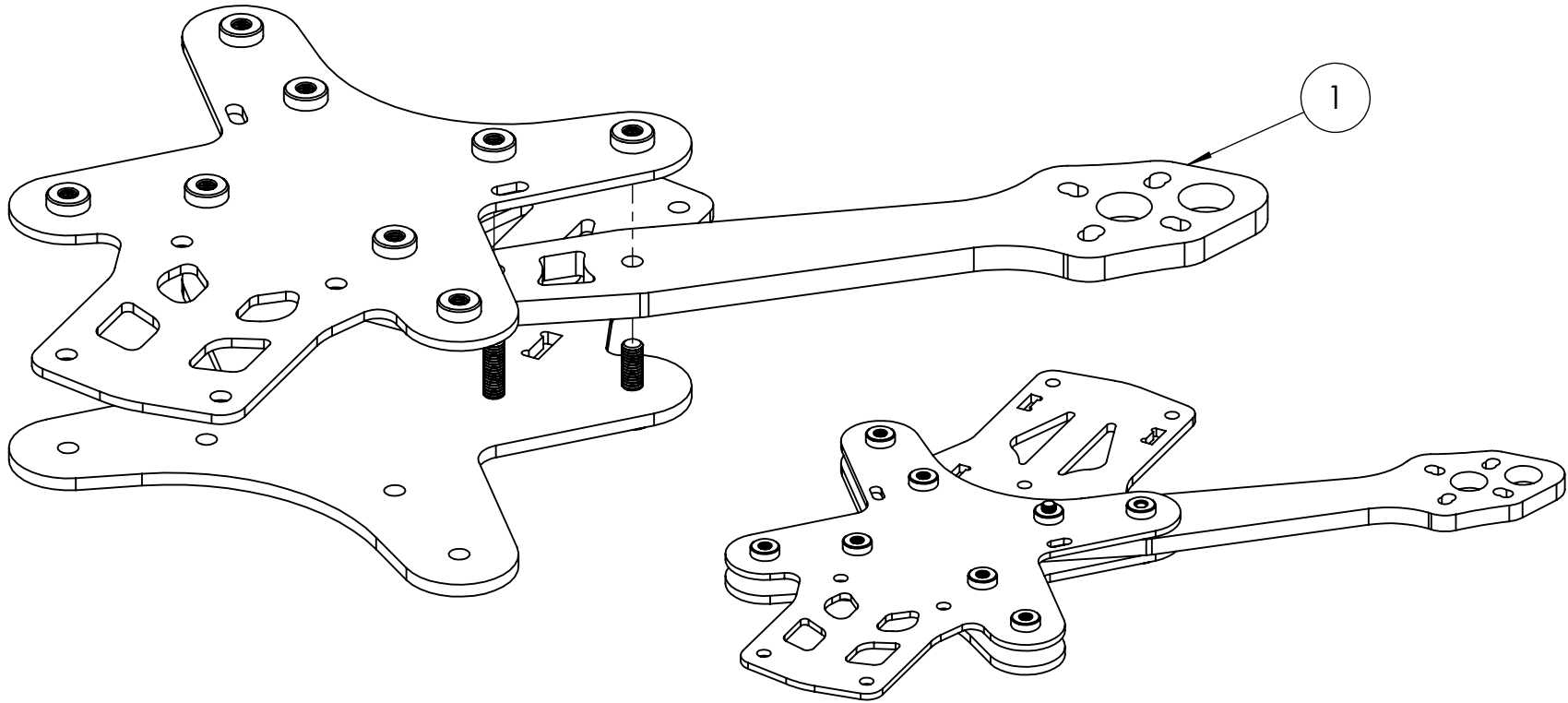
Note: Use M3x6mm high tensile bolt and stainless M3 washer to carefully pull the insert nuts in to the carbon fiber plate from below.

## 2. Lower Main Plate



ITEM NO.	DESCRIPTION	QTY
1	Lower Main Plate - CF 2mm	1
2	Cone Washer - AL	2
3	M3 x 12mm Cap - HT	1
4	M3 x 10mm Cap - HT	1

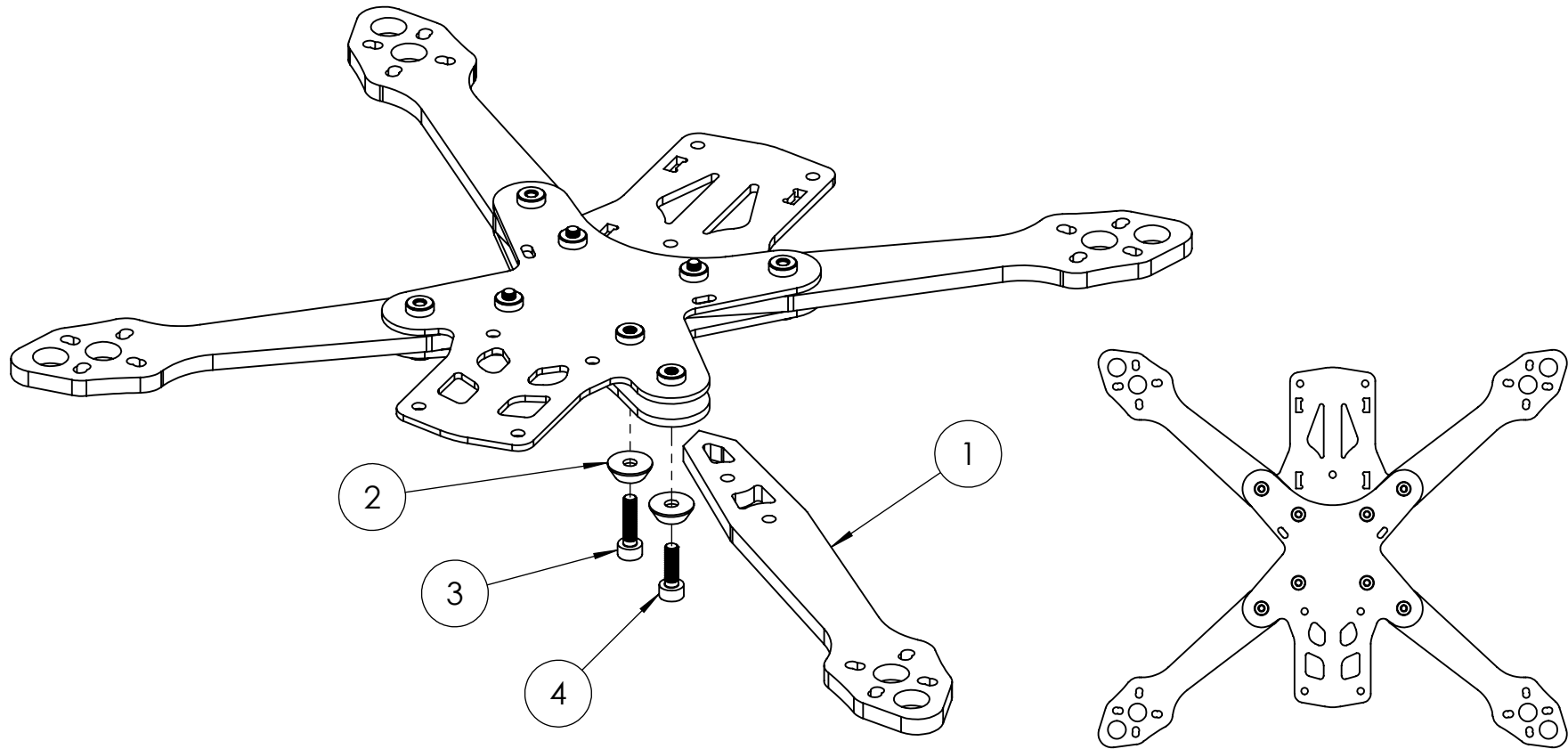
### 3. First Arm



ITEM NO.	DESCRIPTION	QTY
1	Arm Plate - CF 4mm	1

Note: Secure to finger tight only.

## 4. Remaining Arms

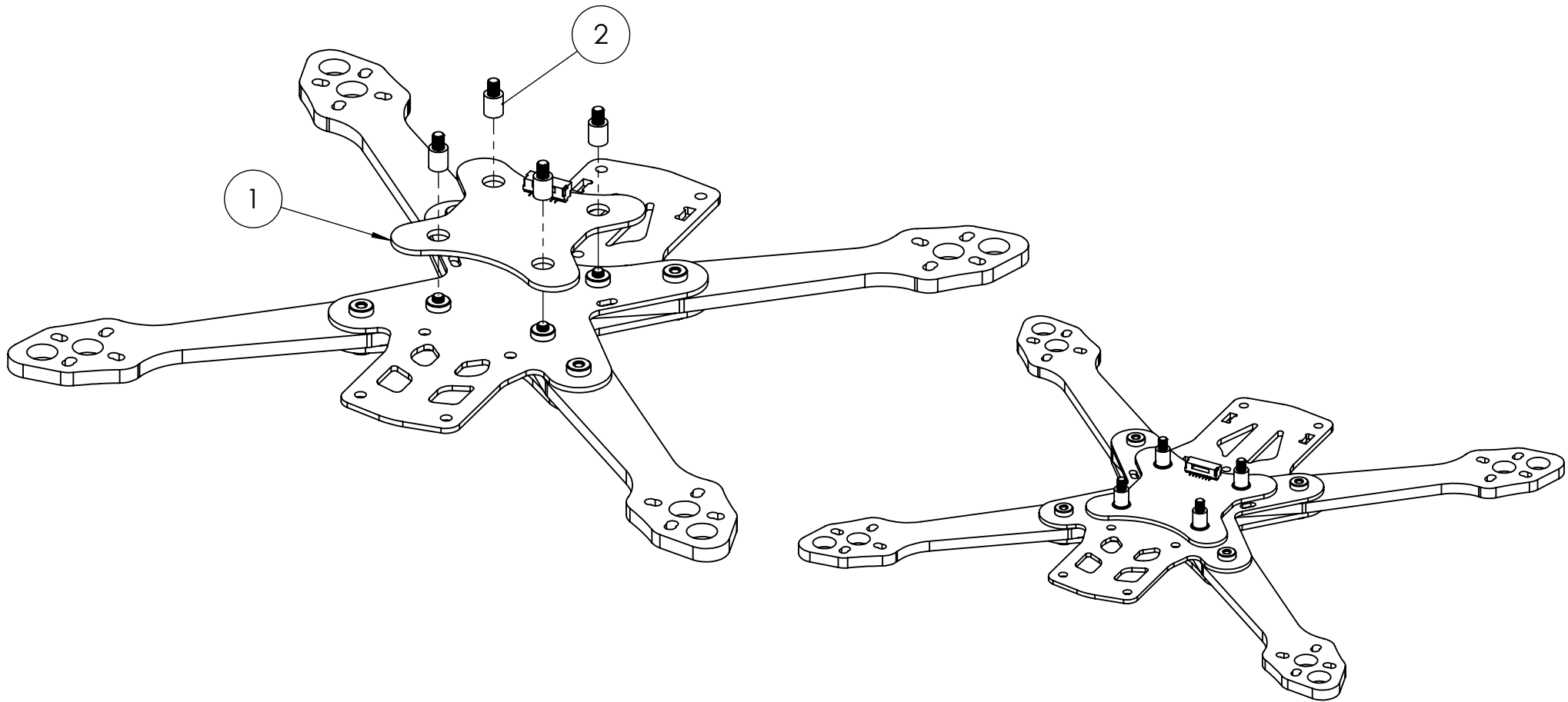


ITEM NO.	DESCRIPTION	QTY
1	Arm Plate - CF 4mm	3
2	Cone Washer - AL	6
3	M3 x 12mm Cap - HT	3
4	M3 x 10mm Cap - HT	3

Note: Fully tighten all 8 bolts in a star pattern, working from the outside to the inside.



## 5. PDB

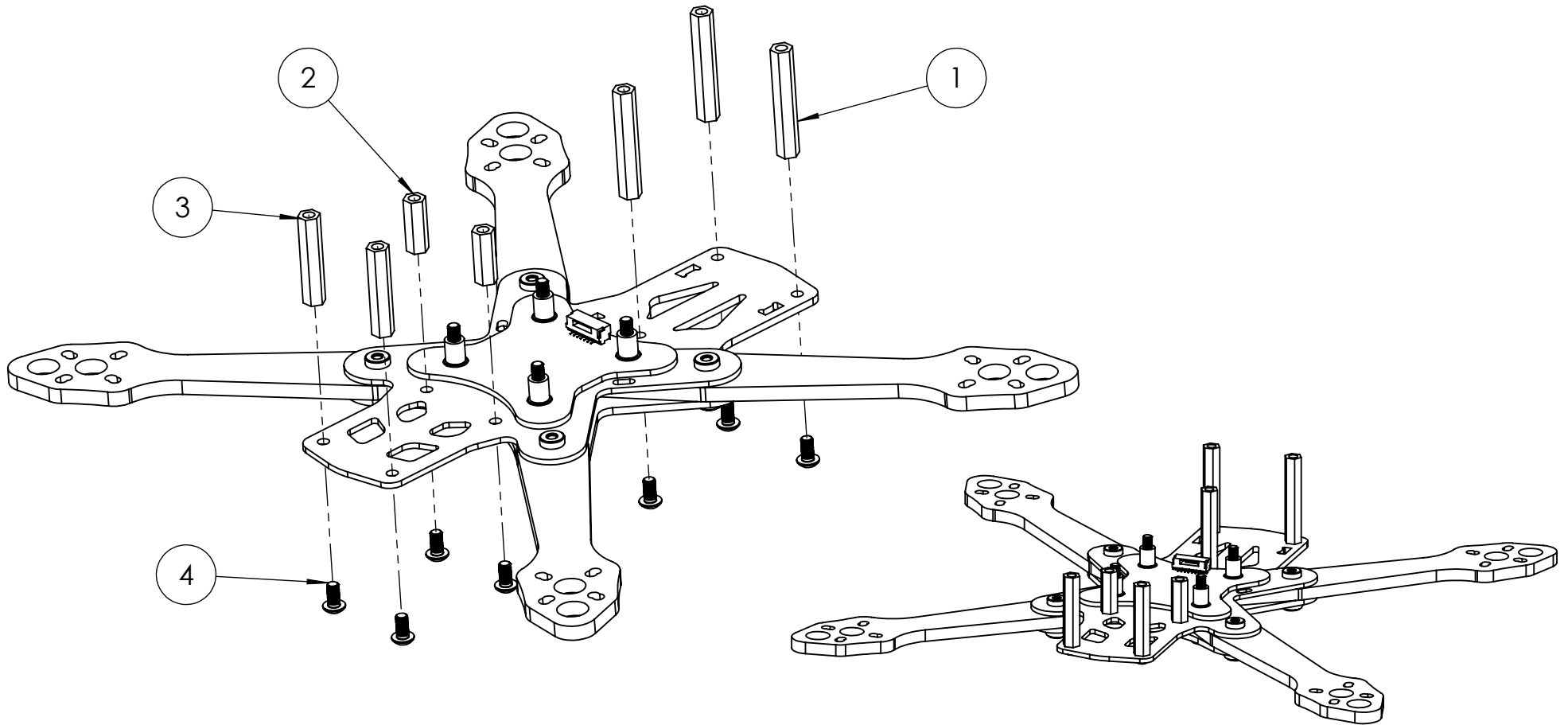


ITEM NO.	DESCRIPTION	QTY
1	Reverb PDB	1
2	M3 Dampers	4

Note: Secure PDB to Upper Main Plate with the included double sided tape pad.

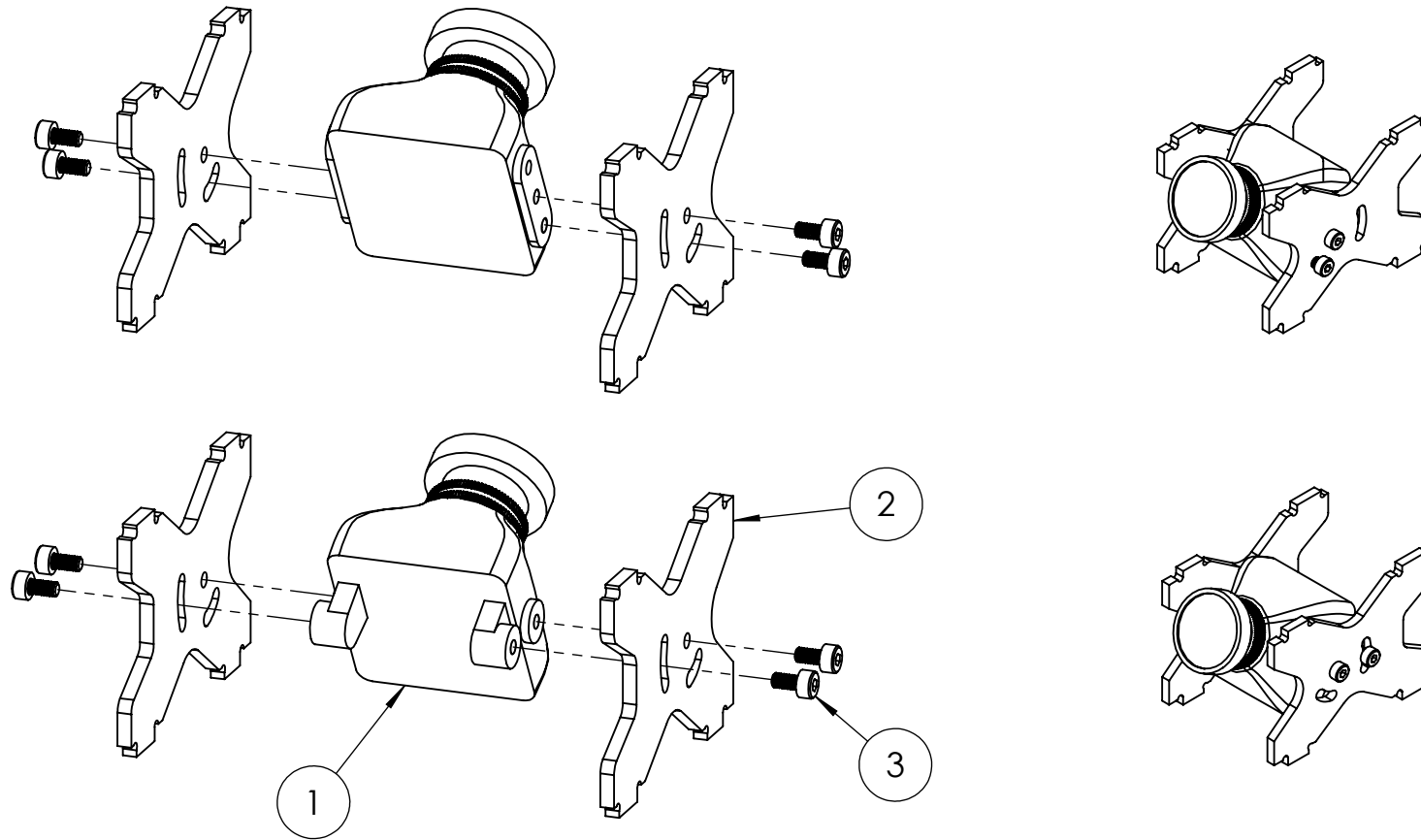


## 6. Standoffs



ITEM NO.	DESCRIPTION	QTY
1	Standoff 30mm - AL	3
2	Standoff 14.5mm - AL	2
3	Standoff 24.5mm - AL	2
4	M3 x 6mm Button - HT	7

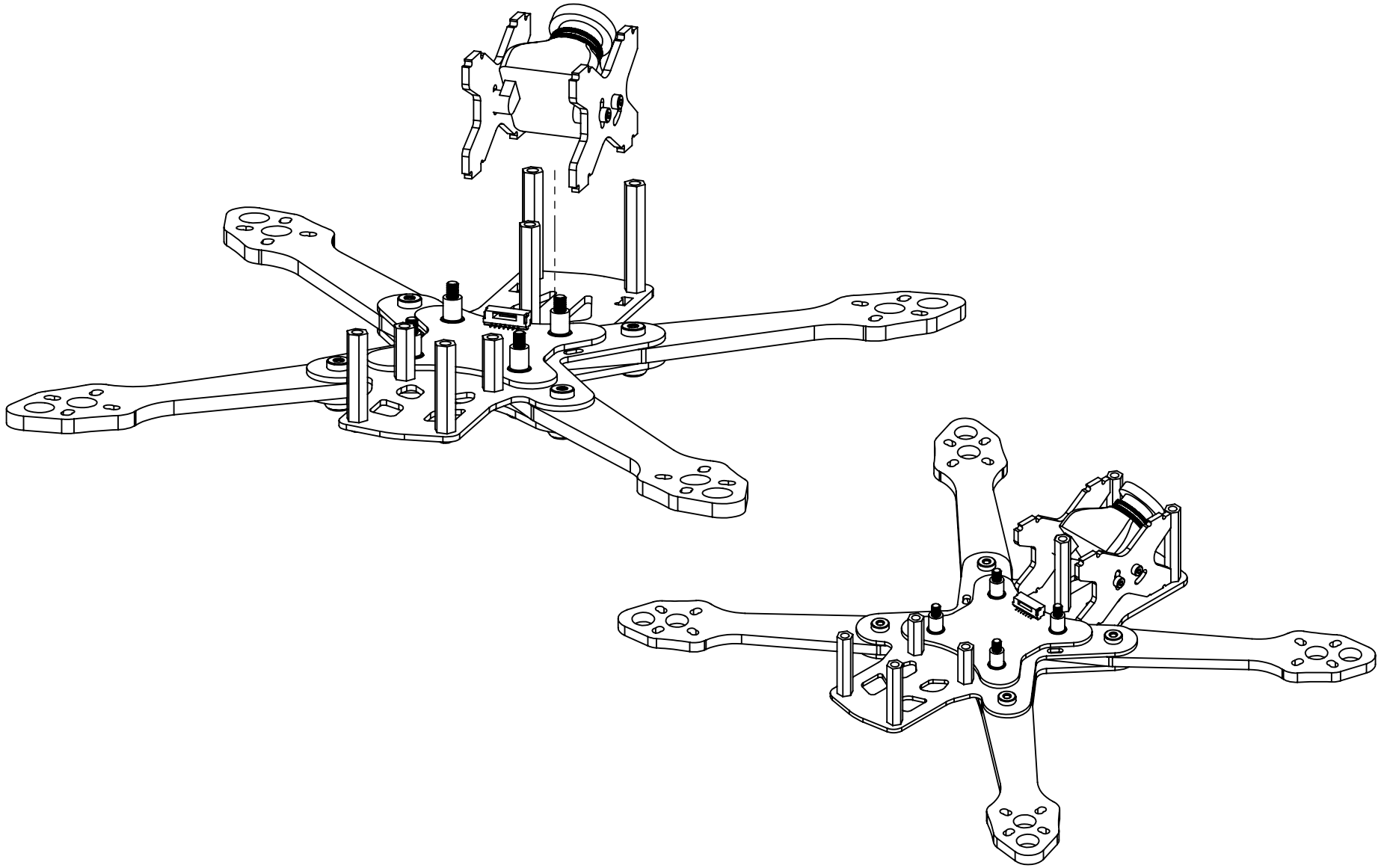
## 7. Camera



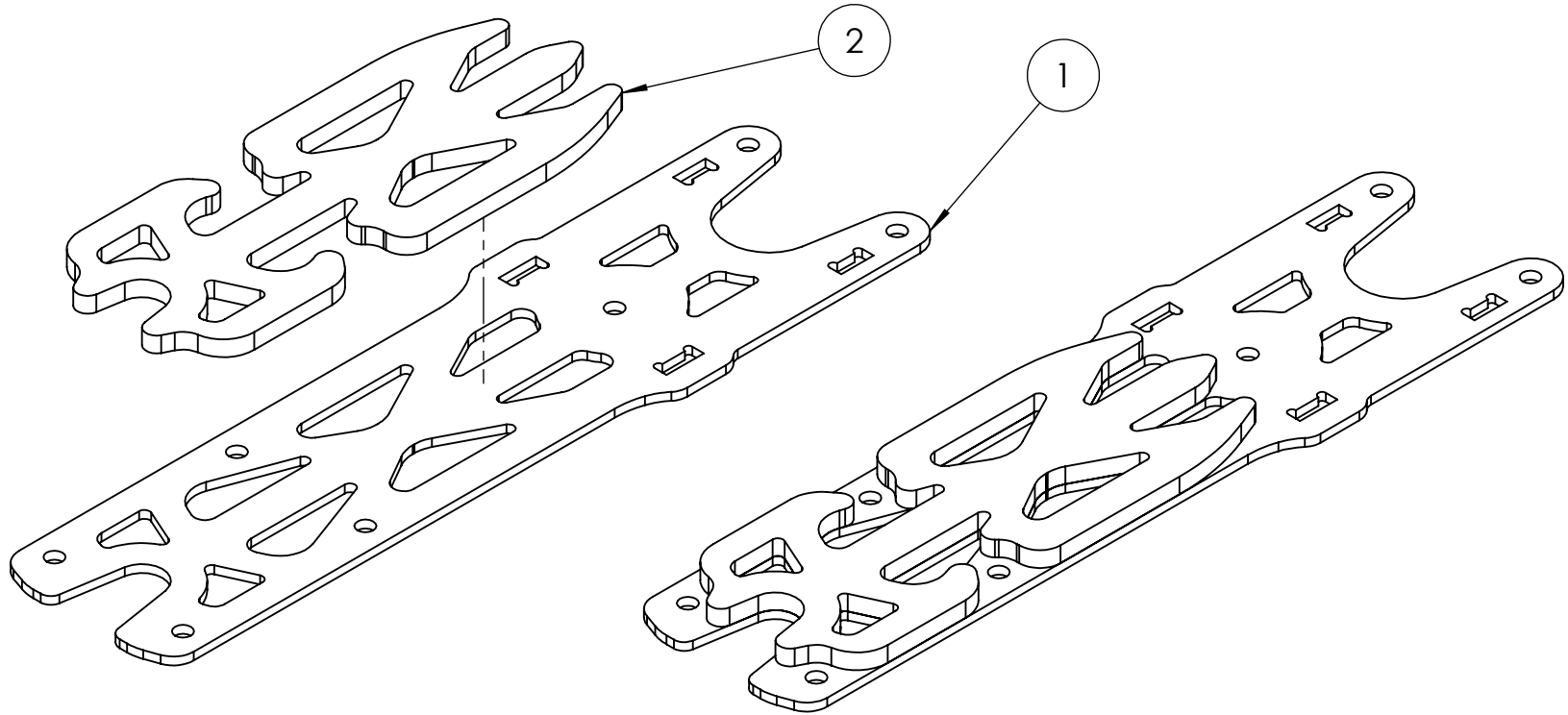
ITEM NO.	DESCRIPTION	QTY
1	FPV Camera	1
2	Camera Plate - CF 2mm	2
3	M2 x 4mm Cap - SS	4



## 8. Camera Assembly

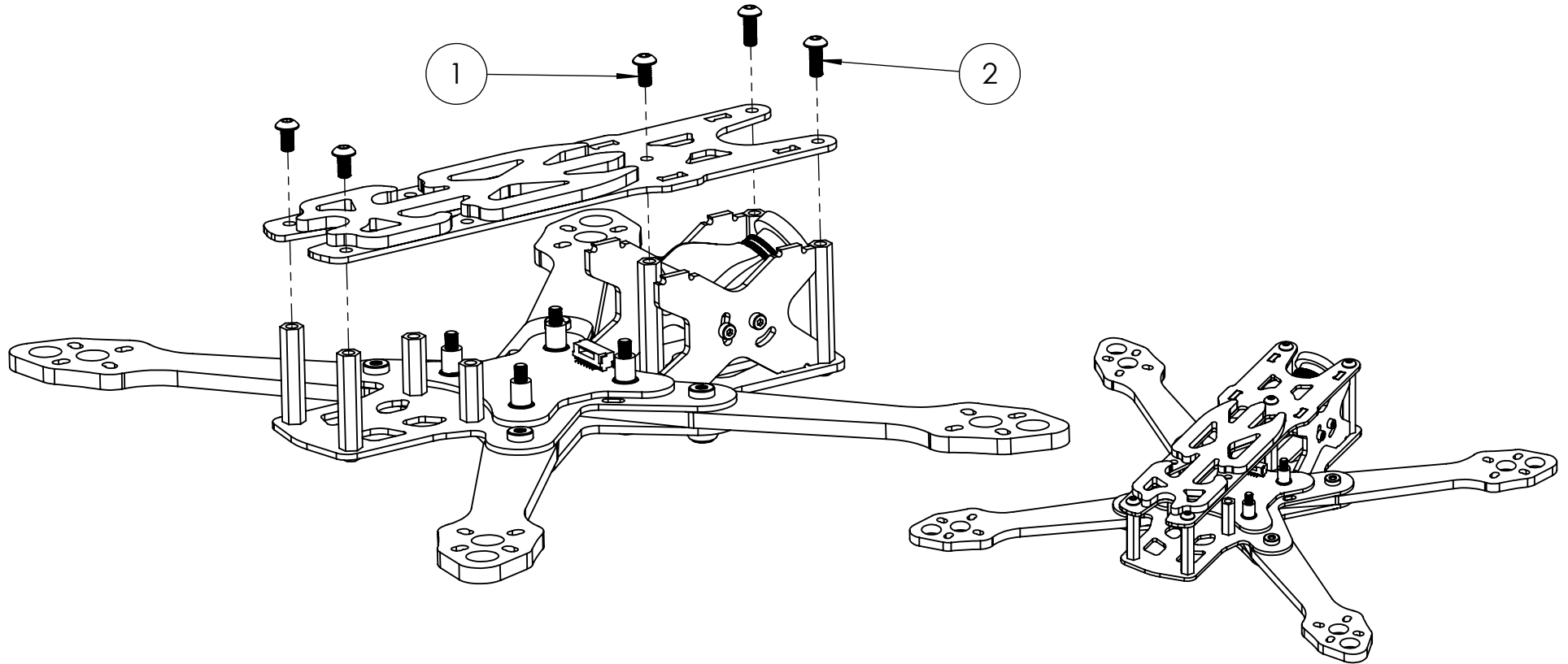


## 9. Lipo Pad



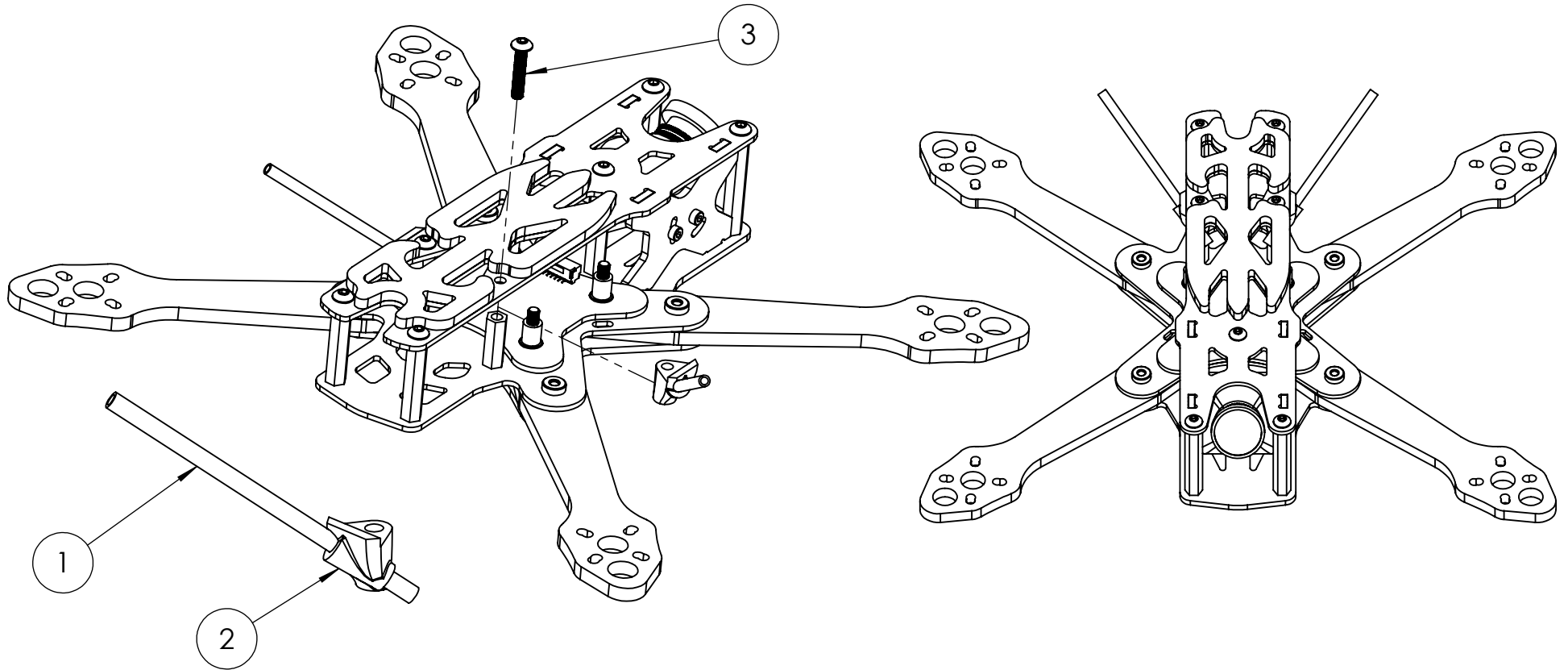
ITEM NO.	DESCRIPTION	QTY
1	Top Plate - CF 1.5mm	1
2	Lipo Pad - Foam	1

## 10. Top Plate



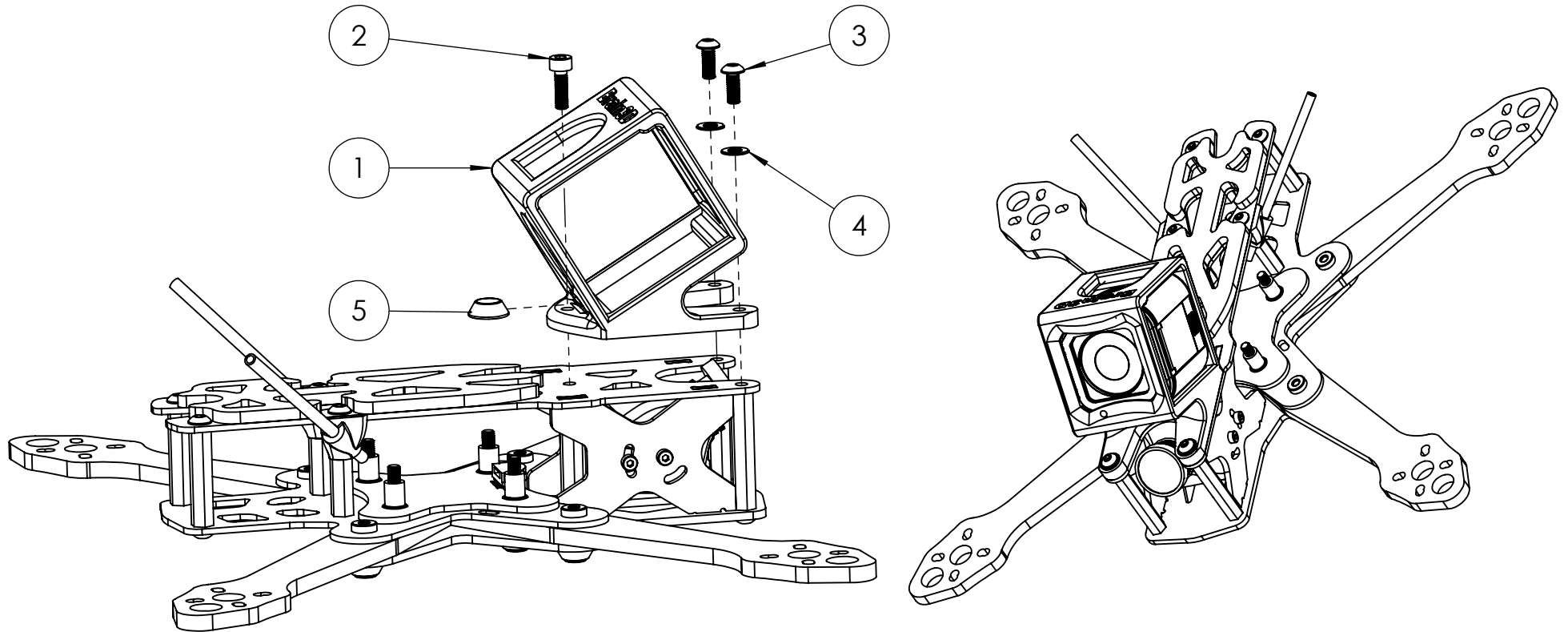
ITEM NO.	DESCRIPTION	QTY
1	M3 x 6mm Button - HT	3
2	M3 x 8mm Button - HT	2

## 11. Antenna Tube Clamp



ITEM NO.	DESCRIPTION	QTY
1	Antenna Tube	2
2	Antenna Tube Clamp	2
3	M3 x 16mm Button - HT	2

## 12. Brain3D GoPro Mount



ITEM NO.	DESCRIPTION	QTY
1	Brain3D GoPro Mount - TPU	1
2	M3 x 10mm Cap - HT	1
3	M3 x 8mm Button - HT	2
4	M3 Washer - SS	2
5	Cone Washer - AL	1