



GOLD STANDARD GAMES

TOURNAMENT ICE

8Ft-Gold Standard Manual Score Home Air Hockey Game Assembly Instructions / Manual

Thank you for purchasing a Gold Standard Games product. All of us at Gold Standard Games want you to be completely satisfied with your game. Please feel free to contact us for help with the assembly of your product or in the event you require any parts or other information.

989-893-1739 or 877-893-1739 or online at: www.gold-standard-games.com

Tools Required:

- 1/2" Wrench or Socket
- 5/32" Allen Key Wrench (Supplied)
- Phillips Head Screwdriver
- Level

Components Received:

Game Box

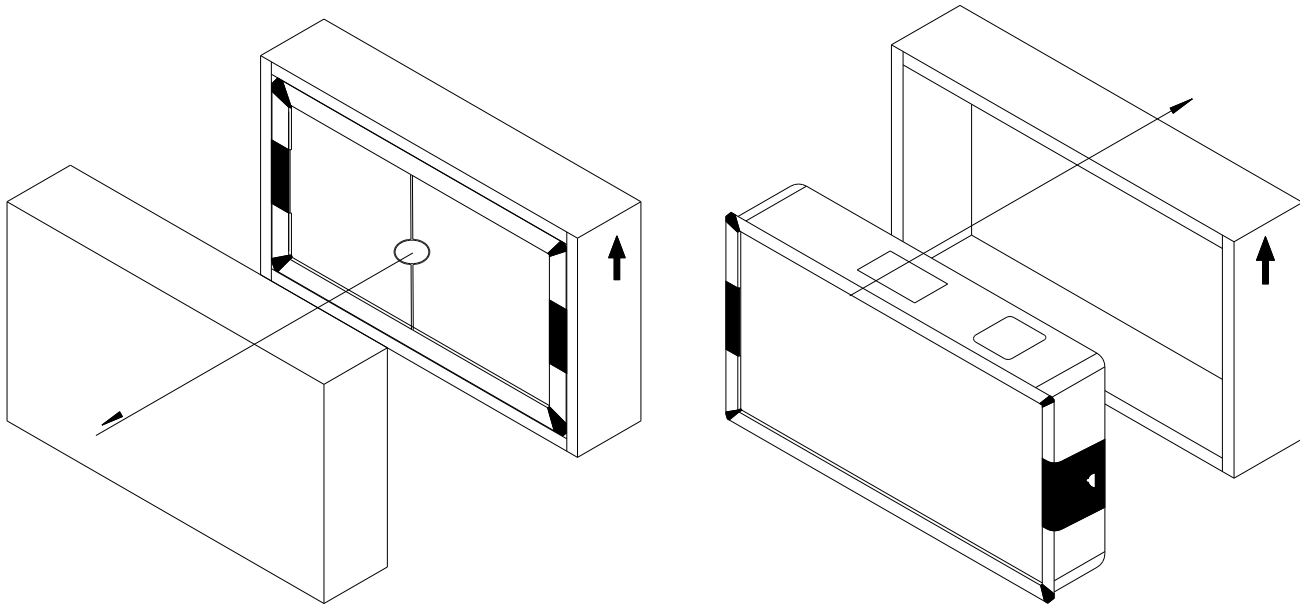
- 8HMS-W01-MSLB - 8Ft-Gold Standard Manual Score Home Air Hockey Game
- 2 – 306-0006-0 521 Key For Side Access Door

Leg Box

PX-LAA-0	Leg Assy.	4
201-0291-0	MR-Red Air Hockey Pucks 3 1/4	2
201-0293-0	MR-White Air Hockey Mallets	2
210-0063-0	Shelti Warranty Card-All Games	1
210-0393-0	Manual Score Assy. Instructions	1
301-0020-0	5/16-18x1 1/2" Hex Head Bolt	12
210-0350-0	Sanding Disk 6"x180 Grit	2
003-0002-0	Red Score Beads	7
003-0003-0	Black Score Beads	7
003-0008-0	Score Posts-Manual Score H.A.H	4
205-0194-0	Score Rods-Manual Score H.A.H.	2
301-0167-0	1/4"-20x1 1/4" Flat Hd. Socket Bolt	4
210-0396-0	5/32" Allen Key Wrench	1

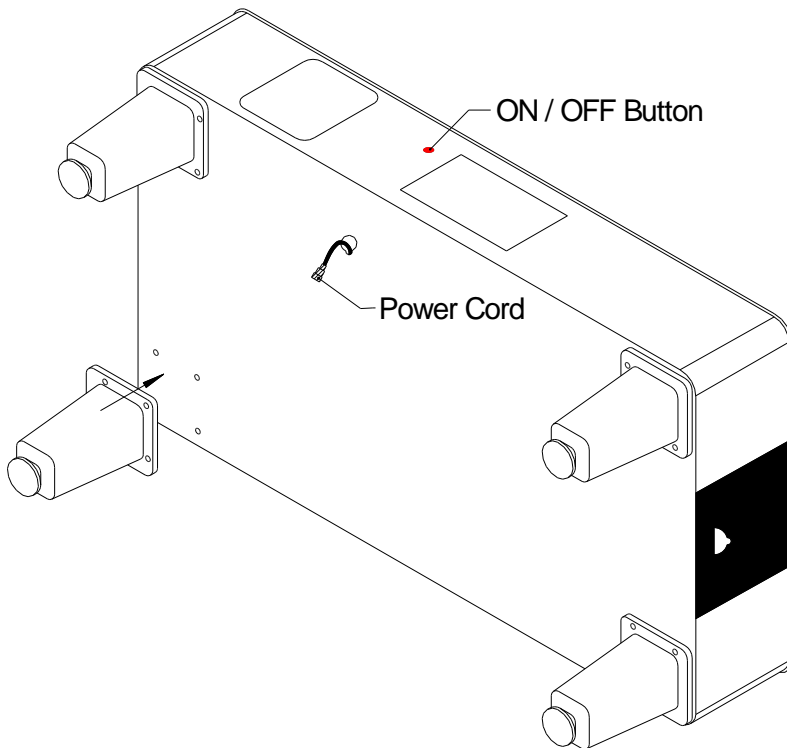
Assembly Instructions:

Step #1: Place the Gold Standard Air Hockey game on its side. Note: Keep the arrow stickers pointing up. Remove the banding and the top of the box.



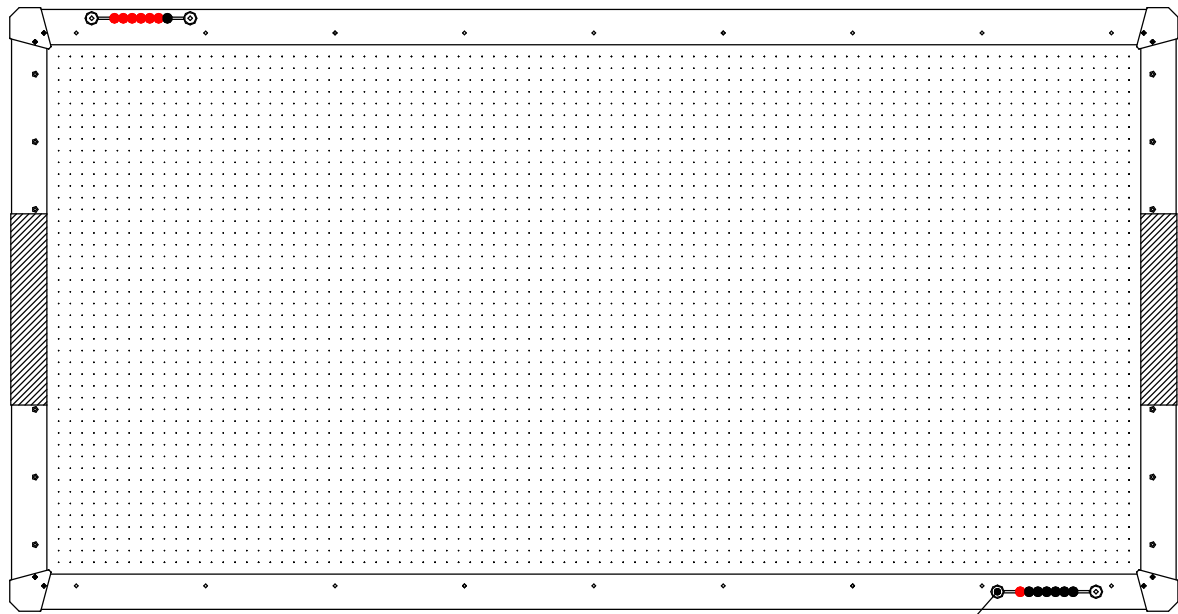
Step #2: Slide the air hockey game partially out of the box, slightly tip the game and remove the bottom of the box and the top side and end fillers. Leave the bottom filler under the game to help keep it from tipping.

Step #3: Open the leg box and remove the legs and the 12 - 5/16 -18 x 1 1/2" slotted hex washer head bolts. Attach the legs to the bottom of the air hockey game, three bolts per leg. Make sure that the leg levelers are screwed all of the way into the leg. Slowly rotate the table over onto its four legs.

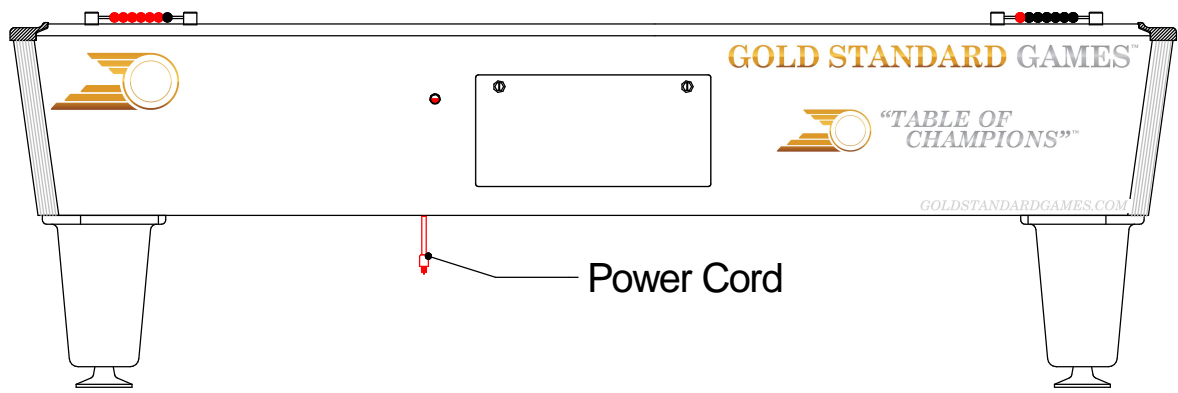


Step #4: Unlock and remove the side access door (keys are taped inside of the goal opening), and push the power cord through the hole in the bottom of the game.

Step #5: Remove the 4 – Score Posts, 2 – Score Rods, and 14 Score Beads from the leg box. Assemble 6 black and one red score bead on a score rod. Assemble 6 red and one black score bead on the other score rod. Slide the score posts on either ends of the score rods and bolt the score assembly to the side top rails using the ¼-20 Flat Allen Head Bolts. Using the supplier 3/16” Allen Key Wrench tighten the bolts. Do not over tighten the bolts.



Manual Score - Score Bead Assembly



Power Cord

Step #6: Once your table is fully assembled and operational, plug the power cord into the wall and turn the game on and place a puck on the center circle. If the puck consistently floats toward on side/end or the other, use the leg levelers to level the table such that the puck floats on the surface without consistently drifting to one side/end.

GOLD STANDARD AIR HOCKEY MAINTENANCE TIPS

Congratulations on purchasing a Gold Standard Games Air Hockey table – our tables are the very best quality tables on the market today.

Here are some maintenance tips to ensure your table's optimum player appeal and durability over the years to come:

PUCKS AND MALLETS: The pucks and mallets which come with your table are of superior quality, and are crucially important to getting the best performance out of your table.

The red fiberglass-filled Lexan puck which comes with your table is specifically designed for high air-flow, tournament-quality tables like the Gold Standard Games tables. The red puck we manufacture is sanctioned by the U. S. Air Hockey Association for use in state, National, and World Championships. It provides superior speed, bounce, visibility, durability, and stability on the table.

The nylon mallets which come with your table are the highest quality available. They are designed for speed, durability, and quiet performance.

SANDPAPER: Your table includes a piece of adhesive-backed sandpaper which should be attached to the table (we recommend sticking it on one or other end of the table. Affix the sandpaper on either side of the metal goal plate, but NOT to the goal itself). The sandpaper is used to sand the puck when it stops floating due to small nicks or abrasions. Replacement sandpaper pieces can be purchased through Gold Standard Games, parts distributors, or at hardware stores. We recommend fine or extra-fine (at least 150 grit).

CLEANING THE TABLE: We recommend rubbing alcohol (isopropyl alcohol) for cleaning the laminate surface. Non-ammoniated window cleaners are also acceptable. Turn the table and blower ON so that liquid and dirt do not go back into the air holes. Clean the table once a week or as necessary, using the alcohol on a clean cloth or paper towel to remove dust and dirt which will slow the puck. **DO NOT USE** silicone, wax, or anything similar which coats the surface and may plug up the holes.

When cleaning the surface, do NOT clean the side rails where the puck hits. Believe it or not, the thin layer of dirt actually makes the puck bank properly and keeps it on the table.

Once every year, or more often as needed, check the air holes for blockages which will keep the puck from floating properly. Turn the table ON and use a stickpin to pull the dirt UP and out of the air holes. Or you can use a 1/32" drill bit or Dremel bit for cleaning out the holes, lifting the dirt OUT of the air hole as the bit rotates.

GOOD LIGHTING: Just as with pool or foosball, good overhead lighting is crucial. Overhead drop lighting is excellent – just make sure it's mounted high enough so that tall players won't bump their heads when they lean forward.

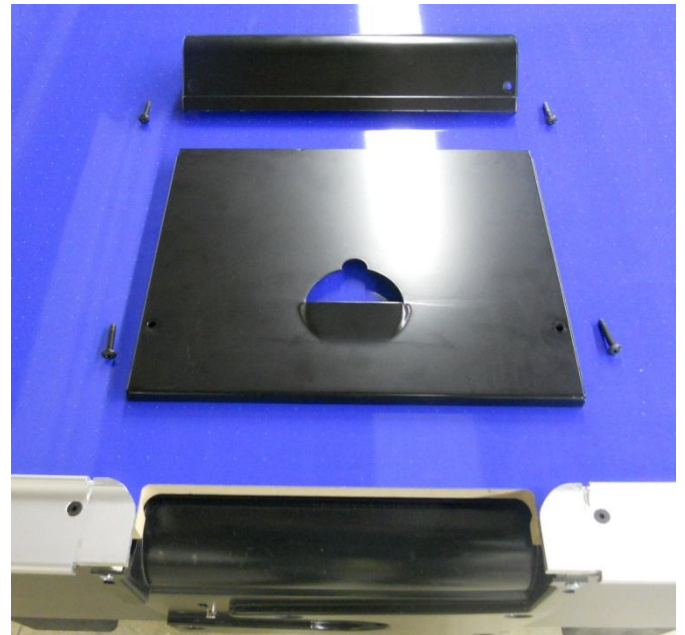
NO DRINKS ON TABLE! – Large amounts of beer, soft drinks or other liquid can seep down the holes and into the wood, possibly warping the top. Any liquid spilled on the table should be wiped up immediately. Make sure to activate the table so the air is ON; this will push the liquid out of the air holes and channels and onto the surface, where it can be wiped up. We recommend that you prohibit drinks from being placed on the table at any time.

SIDE SHIELDS: Protective side shields are available from Gold Standard Games and/or our distributors. These clear plastic shields not only help to keep the puck from coming off the table, they also discourage players from placing drinks on the table.

TABLE SURFACE REPAIR: Our laminate surface is the most durable on the market, but it still may be susceptible to damage over the air channels. A hard, sharp object (bottle, glass, mallet) smashed onto the surface over the air channel may cause a dent. However, dents in the laminate surface are easily repaired. Use clear epoxy to fill a dent in the surface. Allow the epoxy to set up slightly so it won't run down into the air channel. If necessary, use putty underneath to keep the epoxy from running down. Fill to the surface level and allow to harden. Then use fine or extra-fine sandpaper to sand the patched area so it is level with the surrounding surface. If you want, you can re-drill any air hole that had to be filled with epoxy.

For large dents or holes in the surface that go down into the air channel, insert a section of drinking straw into the air channel to keep the epoxy from blocking the entire channel.

CLEARING MATERIAL FROM THE GOAL: If it becomes necessary to remove material that has been pushed into the goal openings you can remove both the upper and lower puck housings or each one independently from each other. See the below photos.



REPLACING BLOWER MOTOR FILTER: Once a year the blower motor filter should be replaced to help keep clean air entering the blower and to also keep the original air flow for the playfield. To replace the filter open the side access door and pull the dirty filter (located under the horizontal wall) toward you until it is clear from the game. Replace this dirty filter with a 10"x 20"x 1" Furnace Air Filter which can be purchased at any hardware or home improvement store. Note: Do not turn on the game with the blower motor filter removed. The blower motor fan is accessible with the filter removed and may be a hazard to small children.