

# NYA-EVO®



GO FURTHER



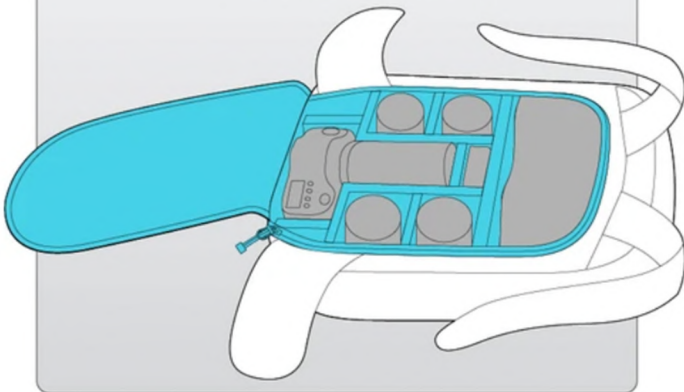
## FJORD 60-C

USER GUIDE

- get the most out of your gear -

## Access

REAR PANEL ACCESS



### REAR PANEL ACCESS

Release shoulder harness and lay the bag down on its front. Bend the shoulder straps away from the zip and open main zipper.  
BENEFIT #1: This design allows equipment to be strapped to the front and top of the backpack and still provide full accessibility to the main compartment.  
BENEFIT #2: This design will prevent the rear panel from getting dirty as it will not come in contact with the ground.

TOP ACCESS



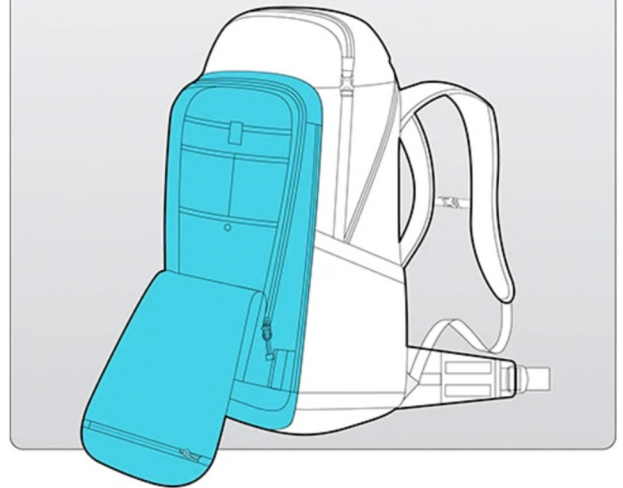
### TOP ACCESS

Extra gear can be placed on top of the removable camera insert.

### TOP POCKET ACCESS

Top zip pocket with expansion/compression system: roll or flap it down when not in use and make the bag smaller. A large storage space for your gear on the top of the roll-down pocket. Made from the same water resistant fabric as the main body to keep your gear safe and dry.

FRONT POCKET ACCESS



### FRONT POCKET ACCESS

Organize your alpine or travel gear that need to be accessed fast and frequently.

QUICK ACCESS POCKET



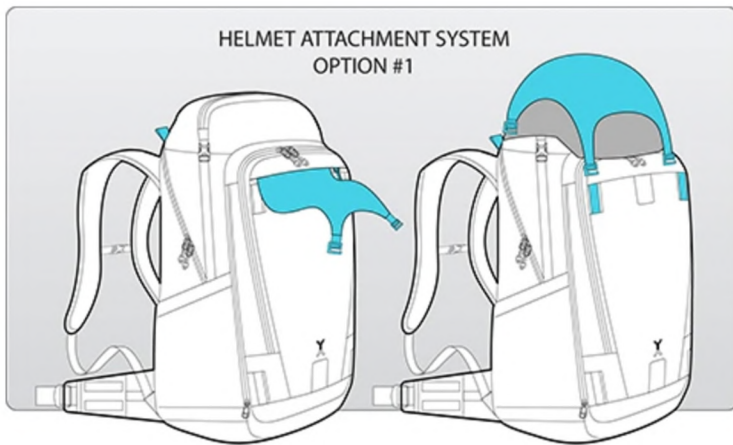
### QUICK ACCESS POCKET

Quick access to small valuables and other gear. This pocket also houses the net attachment which can be hooked over the front of the backpack (see below for example).

TOP POCKET ACCESS



## External Organization



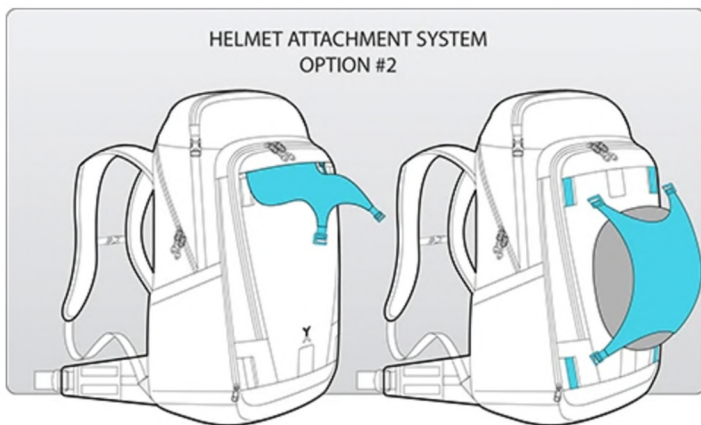
### HELMET ATTACHMENT SYSTEM OPTION #1

Located inside zip pocket on upper front panel. Open zipper pocket and take out the helmet attachment fabric panel. Place the helmet on the top of the bag and connect the aluminum toggle attached to the fabric panel through the webbing loops located at the upper rear of the backpack.



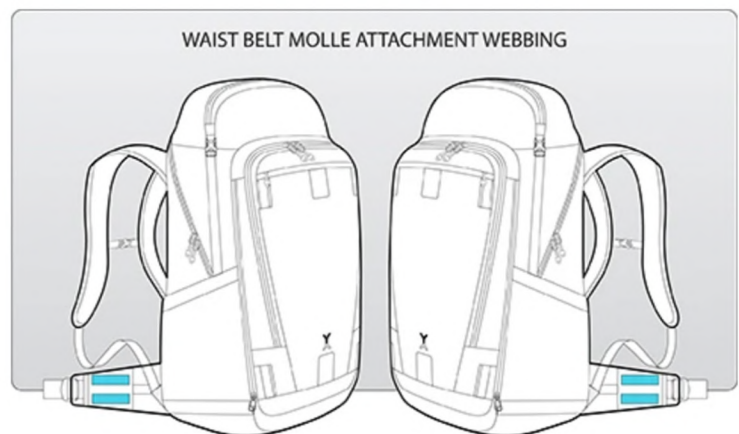
### EXPANDABLE SIDE POCKETS

Located on both sides of the backpack. Designed to fit most water bottles, tripods or items that need to be accessed quickly. Made from our durable body fabric with tension lock closure and elastic webbing at the top of the pocket for a secure fit.



### HELMET ATTACHMENT SYSTEM OPTION #2

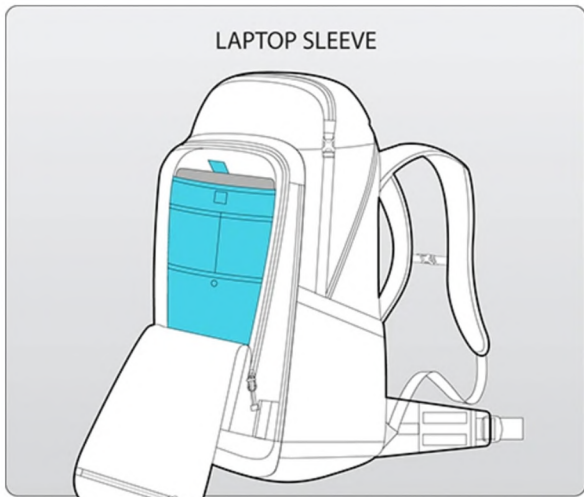
Located inside a zip pocket on the upper front panel. Open zipper pocket and take out the helmet attachment fabric panel. Place the helmet on the front of the bag and connect the aluminum toggle attached to the fabric panel through the webbing loops located at the lower front of the backpack.



### MOLLE WEBBING

Molle webbing on both sides of the waistbelt for attachment of external pouches or accessories.

# Internal Organization



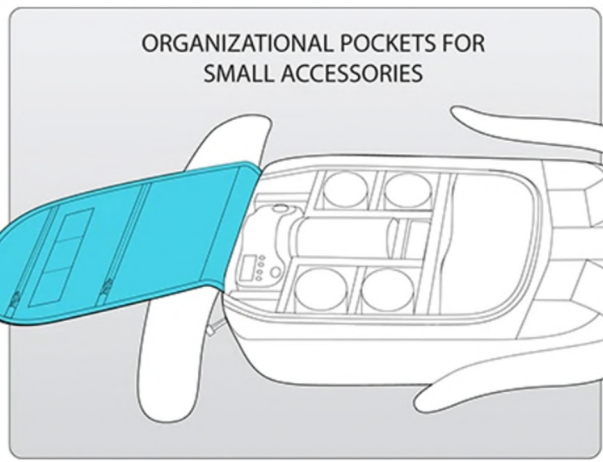
**LAPTOP SLEEVE**  
Fits most 15 inch laptops. Foam padded and with Velcro® webbing closure. The sleeve serves also to store the hydration system.



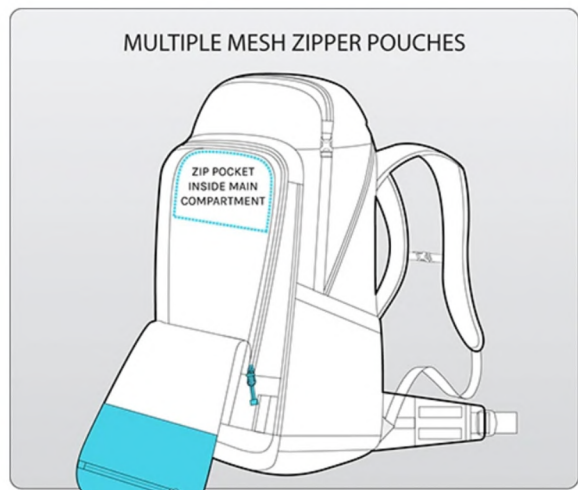
**POUCHES FOR SMALL ITEMS**  
Two open drop in pockets for organizing small travel accessories.



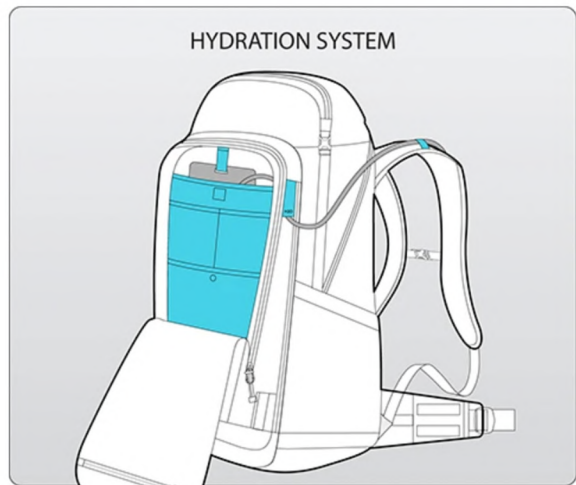
**RAVEL/TOOL ORGANIZER**  
Snap button closure. Snap button can be used to divide the upper edge in to to hold narrow items in place. Suited to use as an alpine or avalanche equipment sleeve. Suited to store travel book or other travel accessories.



**ORGANIZATIONAL POCKETS FOR SMALL ACCESSORIES**  
Two zipper pockets made of a see-through and highly water-resistant material for storage of memory cards, filters or other small accessories.



**MULTIPLE MESH ZIPPER POUCHES**  
Location pocket #1: top main compartment.  
Location pocket #2: top front pocket.  
Pocket #1 comes with inside clip for securing keys.



**HYDRATION SYSTEM SLEEVE**  
Velcro loop closure provided at the top to hold the hydration system upwards. Hydration tube needs to be routed through an opening on the side top of the backpack and fixed in place on the shoulder strap by elastic bands.

# Tripod Carry

TRIPOD CARRY FRONT



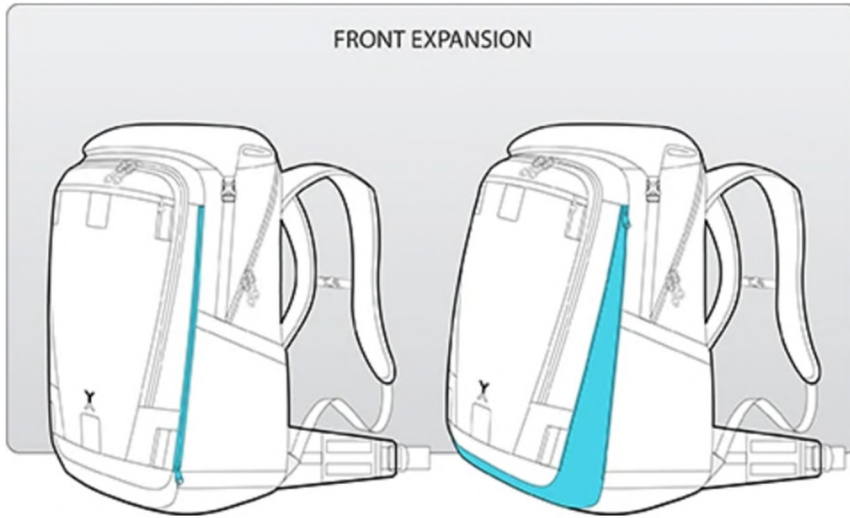
TRIPOD CARRY SIDE OPTION #1



TRIPOD CARRY SIDE OPTION #2

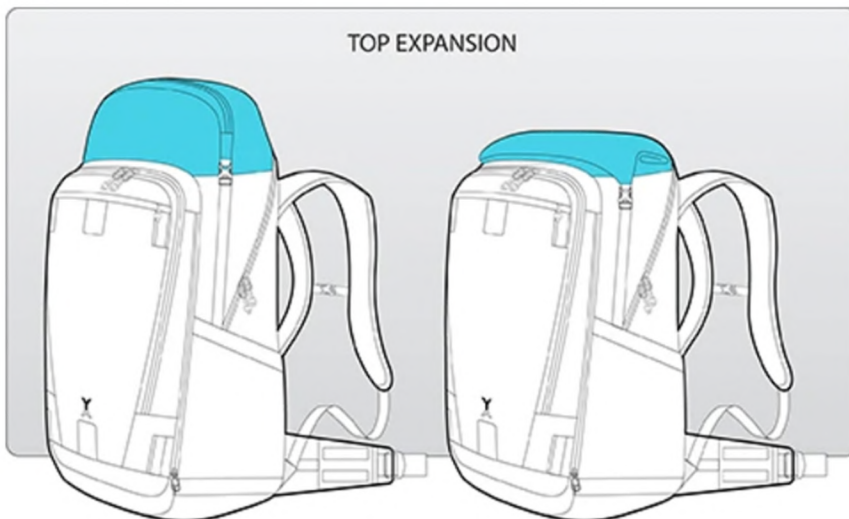


## Expansion



### FRONT EXPANSION

Front pocket expansion/compression system: open vertical zipper on each front side of the bag to give extra 7 cm more depth (8L of extra space) to the bag when more space is needed.



### TOP EXPANSION

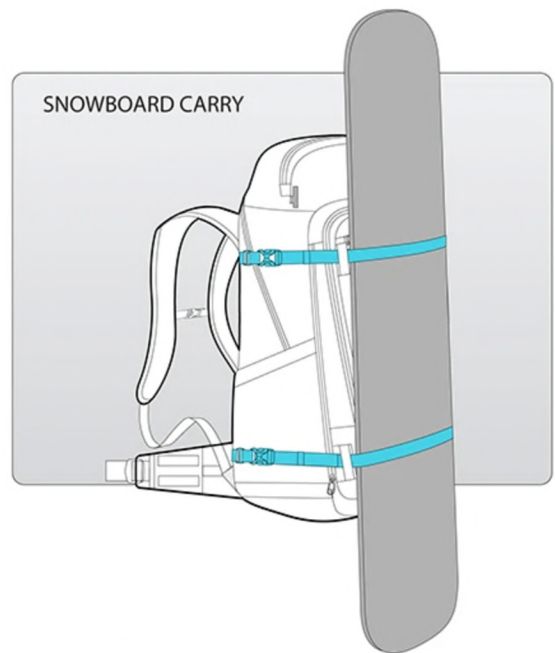
Front pocket expansion/compression system: open vertical zipper on each front side of the bag to give extra 7 cm more depth (8L of extra space) to the bag when more space is needed.

## How to Attach Your Gear



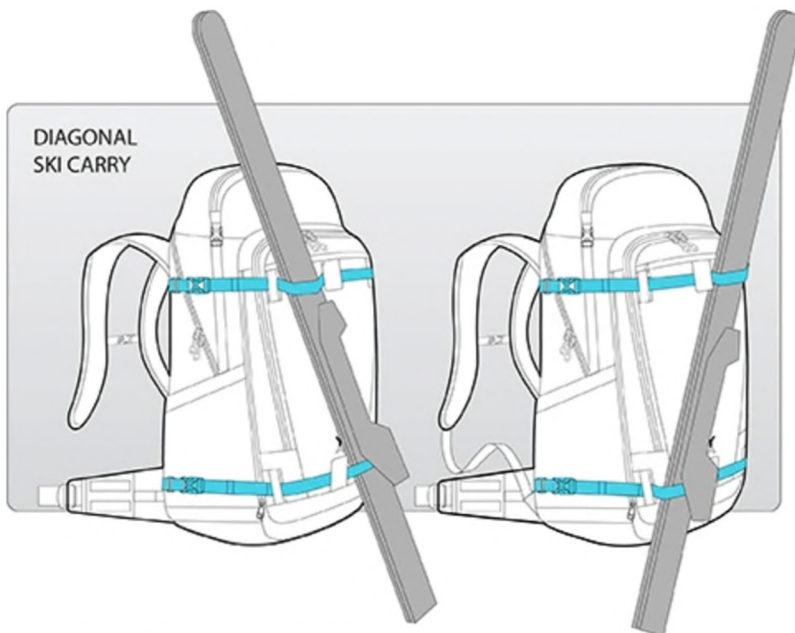
### VERTICAL SKI CARRY

1. Open the top side release buckle strap.
2. Insert the ski through the bottom buckle strap.
3. Close the top side release buckle strap and tighten.



### SNOWBOARD / SNOWSHOE CARRY

- Wrap the straps around the snowboard and tighten.



### DIAGONAL SKI CARRY

- Open the side release buckle straps, secure around the skis and position between the side loop and center hypalon patch, close and tighten.



### POLE CARRIER

1. Put bottom of poles inside the side pocket. Loop the lower front strap around the poles, close and tighten.
2. Secure top of poles with compression strap and tighten.

## How to Attach Your Gear



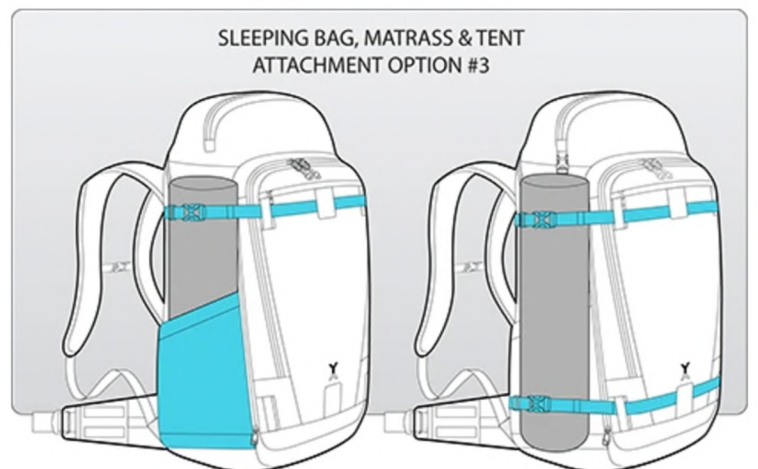
### SLEEPING BAG CARRY OPTION #1

1. Use the net attachment system located in the front facing top pocket.
2. Attached to top loops then pull backwards over the sleeping bag.
3. Attach remaining 2 hooks in the wedding loops at the back of the backpack.



### SLEEPING BAG CARRY OPTION #2

1. Use the net attachment system located in the front facing top pocket.
2. Spread over and cover the sleeping bag and attached hooks in bottom and top loops

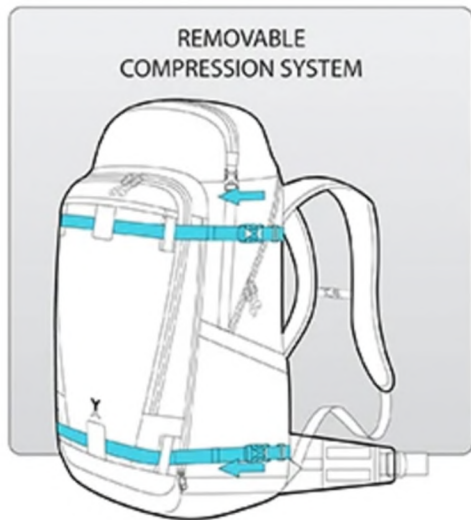


### SLEEPING BAG CARRY OPTION #3

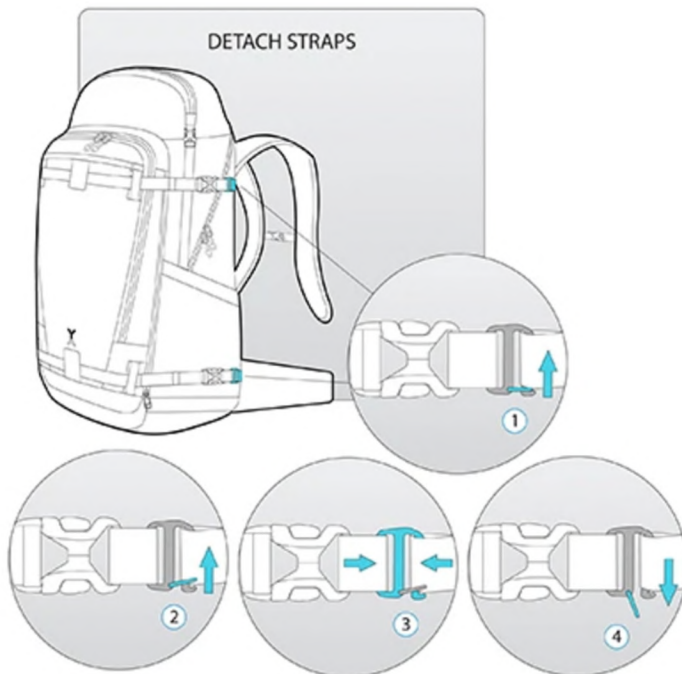
1. Place sleeping bag in side pocket and secure with top compression strap.
2. Place the sleeping bag on the side of the backpack and secure over with top and bottom compression straps. Tighten to secure.



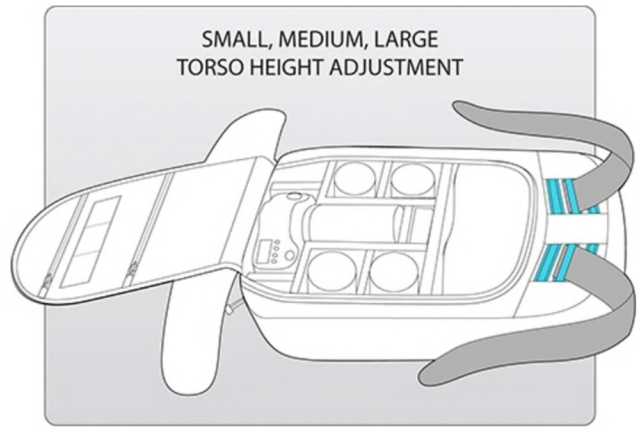
## Fine-tuning Your Pack



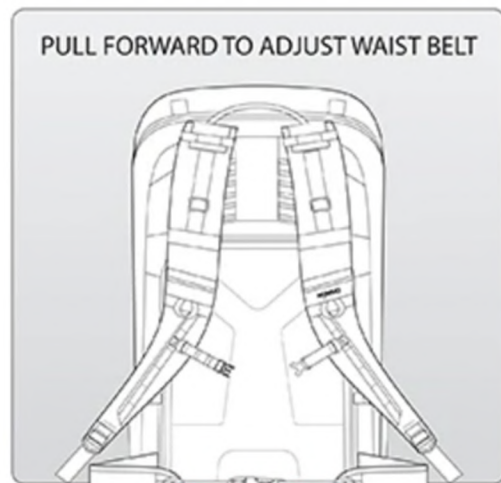
**REMOVABLE COMPRESSION STRAPS**  
Removable compression & gear attachment straps for carrying equipment onto the exterior of the pack. The tensioning of these straps pull the load onto the aluminum frame for optimal carry comfort and stability during dynamic activities



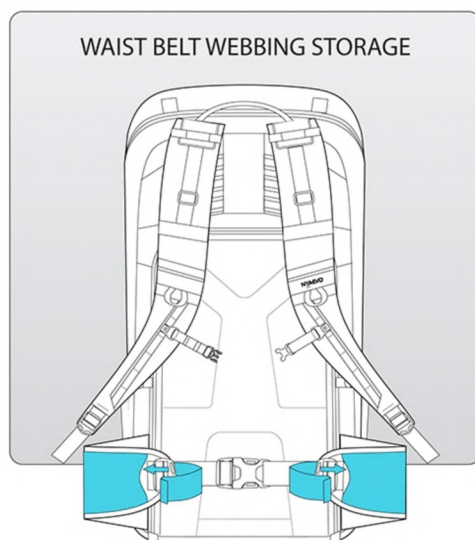
**DETACHING COMPRESSION STRAPS**  
1: Locate metal clip on the plastic hook  
2: push the clip in direction of arrow  
3: squeeze the plastic hook so it gives clearance for the metal clip to release  
4: slide the strap out of the loop



**TORSO HEIGHT ADJUSTMENT**  
Three height settings available to best fit your frame. For more details see FJORD 60-C video.



**ADJUST WAIST BELT**  
Pull the webbing of the waist belt inward to tighten.



**WAIST BELT EXCESS WEBBING STORAGE**  
After tightening the belt around your waist and retrieve the webbing end. Push webbing end into a pouch sewn on top of the waist belt until there is no excess webbing left.