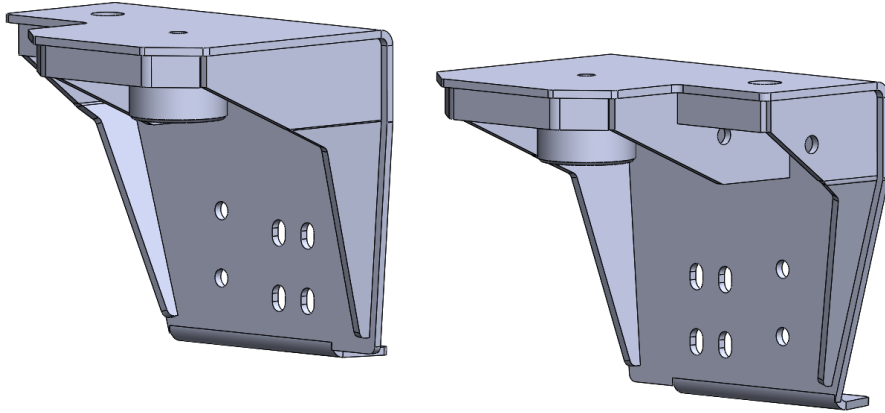




# FORD 1992-1996 COIL BUCKET INSTALLATION INSTRUCTIONS



<b>Components Included</b>	
(1) Ford 1992-1996 DS Coil Bucket	
(1) Ford 1992-1996 PS Coil Bucket	
<b>Hardware Included</b>	
(16) 1/2 X 1.5 Bolt	(36) 1/2 Flat Washer
(2) 1/2 X 3.5 Bolt	(2) Coil Isolator Pin
(18) 1/2 Nylock Nut	
<b>Tools Required</b>	
Jack	1/2" Drill Bit
Jack Stands	3/4" Socket/Wrench
Grinder/Acetylene Torch	Torque Wrench
Drill	Hammer & Drift/Air Hammer

## WARNING

RYD Motorsports recommends the installation to be performed by a professional technician/professional shop.

Read instructions and warning carefully before installation and operation. Failure to do so could result in damage to your vehicle.

## Installation Instructions

1. Remove stock shock tower and grind or torch the head of these two rivets off (Figure 1). Using a hammer and drift or air hammer, remove the rivets. Clean/remove debris from frame rail where coil bucket will be attached



Figure 1.

**\*\*Note\*\*** Measurement for 2WD trucks; measure back 17 1/2" from the rear of the front radiator support mount for the location of the first hole (Figure 2&3).



Figure 2.



Figure 3.

2. Hold the coil bucket up to frame and align the four holes on the frame with the four holes on the coil bucket and loosely attach the coil bucket using the 1/2 X 1.5" bolts. Install the two 1/2 X 1.5" bolts on the bottom return flange and snug the coil bucket up to the frame.

**\*Note\*** Shock mount of coil bucket goes towards the rear of the truck.

3. Ensure the coil bucket is snug to the frame. Using a 1/2" drill bit and the two remaining holes on the coil bucket face as a drilling guide (Figure 4), drill the two holes. Finish fastening the coil bucket to the frame using the remaining 1/2 X 1.5" bolts.

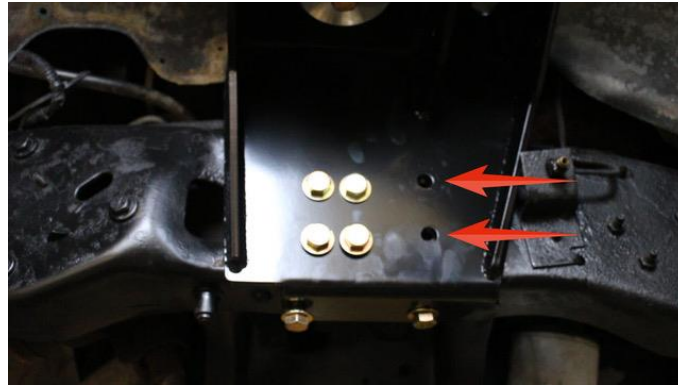


Figure 4.

4. Install the coil pin isolator on the coil bucket using the supplied 1/2 X 3.5" bolt (Figure 5).



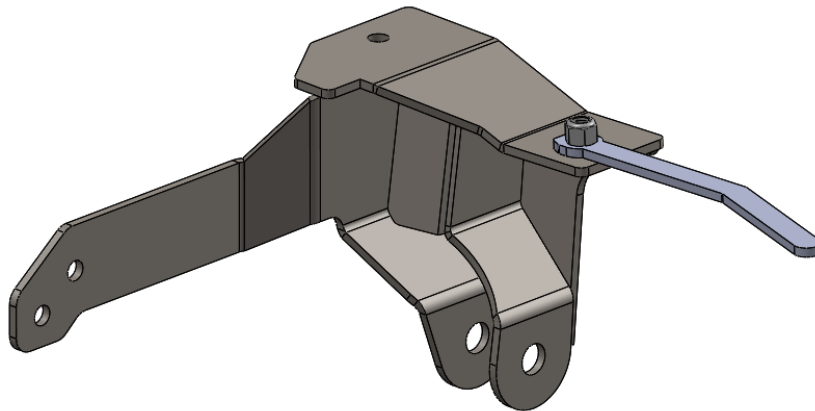
Figure 5.

5. Repeat steps 1-5 on the opposite side of the truck. Now you're ready to install your coil spring isolators and coil springs.

**VERIFY ALL FASTENERS ARE PROPERLY TORQUED BEFORE DRIVING VEHICLE  
RETORQUE ALL NUTS, BOLTS AND LUGS AFTER 100 KILOMETERS AND  
PERIODICALLY THEREAFTER**



# FORD 1992-1996 0-3" TRAC BAR BRACKET INSTALLATION INSTRUCTIONS



<b>Components Included</b>	
(1) Ford 1992-1996 0-3" Trac Bar Bracket	
(1) Ford 1992-1996 0-3" Trac Bar Bracket Nut Tab	
<b>Hardware Included</b>	
(3) 1/2 X 1.5 Bolt	(4) 1/2 Nylock Nut
(1) 1/2 X 2.5 Bolt	(7) 1/2 Flat Washer
<b>Tools Required</b>	
Jack	30mm Socket/Wrench
Jack Stands	3/4" Socket/Wrench
Grinder/Acetylene Torch	Torque Wrench
Drill	Hammer & Drift/Air Hammer
1/2" Drill Bit	

## WARNING

RYD Motorsports recommends the installation to be performed by a professional technician/professional shop.

Read instructions and warning carefully before installation and operation. Failure to do so could result in damage to your vehicle.

## Installation Instructions

1. On the front driver's side frame rail, torch or grind the head of these two rivets off (Figure 1). Using a hammer and drift or air hammer, remove the rivets. Clean/remove debris from frame rail where bracket will be attached.

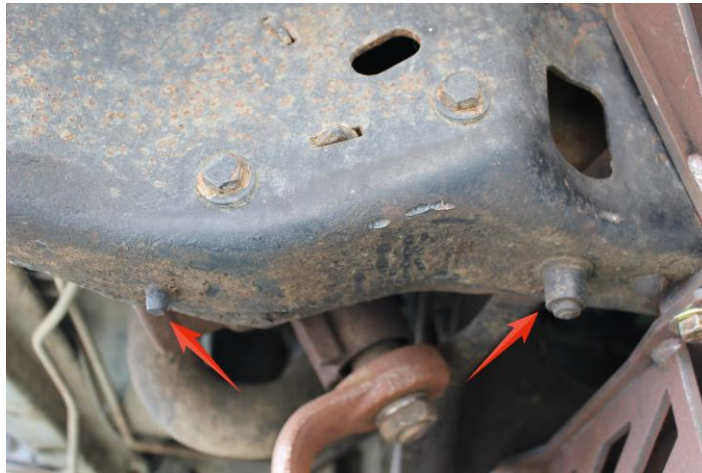


Figure 1.

**\*\*Note\*\*** If changing pitman arm, it will be much easier to do so prior to installing trac bar bracket.

2. Hold the trac bar bracket up to the frame rail and using the 1/2 X 1.5" bolt in the rear hole of the part, snug it up the frame rail. Feed the nut tab into the opening of the driver's side frame rail and thread the 1/2 X 2.5" bolt into the tab from the front hole of the part and snug it up (Figure 2). Ensure the cross member plate is behind the front edge of the engine cross member.



Figure 2.



3. Remove the nut holding the power steering line on the front of the engine cross member.

**\*\*Note\*\*** Power steering line on the engine cross member will have to be manipulated so it is not hit while drilling.

4. With the bracket snug to the frame rail, use a 1/2" drill bit and the two holes in the cross member plate as a drilling guide (Figure 3). Drill the two holes and using the remaining two 1/2 X 1.5" bolts, snug up the cross member plate to the engine cross member and re-install the oil cooler line on the front of the engine cross member.



Figure 3.

5. Go over all the mounting bolts and tighten them down. You are now ready to bolt in your 05+ stock trac bar (Figure 4).

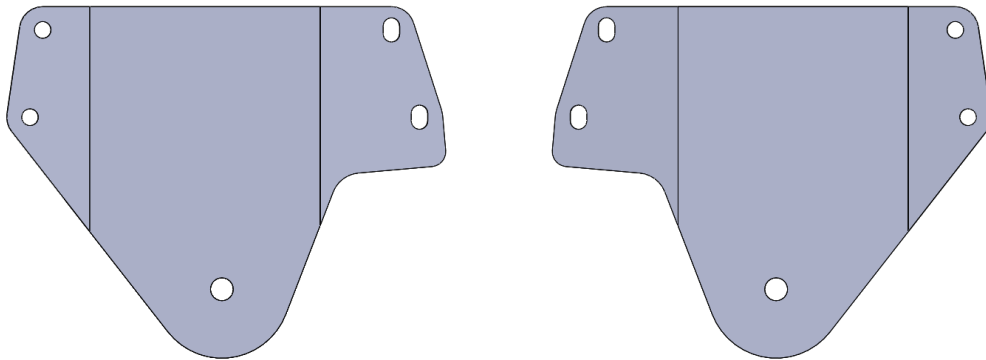


Figure 4.

**VERIFY ALL FASTENERS ARE PROPERLY TORQUED BEFORE DRIVING VEHICLE  
RETORQUE ALL NUTS, BOLTS AND LUGS AFTER 100 KILOMETERS AND  
PERIODICALLY THEREAFTER**



# FORD 1992-1996 RADIUS ARM BRACKET INSTALLATION INSTRUCTIONS



<b>Components Included</b>	
(1) Ford 1992-1996 DS Radius Arm Bracket	
(1) Ford 1992-1996 PS Radius Arm Bracket	
<b>Hardware Included</b>	
(10) 1/2 X 1.5 Bolt	(14) 1/2 Nylock Nut
(4) 1/2 X 1.75 Bolt	(28) 1/2 Flat Washer
<b>Tools Required</b>	
Jack	1/2" Drill Bit
Jack Stands	3/4" Socket/Wrench
Grinder/Acetylene Torch	Torque Wrench
Drill	Hammer & Drift/Air Hammer

<b>WARNING</b>
RYD Motorsports recommends the installation to be performed by a professional technician/professional shop.
Read instructions and warning carefully before installation and operation. Failure to do so could result in damage to your vehicle.

## Installation Instructions

1. Remove the stock leaf spring hangers by grinding or torching the heads of these rivets (Figure 1). Using a hammer and drift or air hammer, remove the rivets. Using a 1/2" drill bit, drill out the rear two holes. Clean/remove debris from the frame rails where the radius arm bracket will be mounted.

**\*Note\*** Move wiring and fuel lines on the inside of the driver's side frame rail away prior to grinding, hammering, torching or drilling.

**\*\*Note\*\*** ZF5 trucks will require the use of our ZF5 transmission cross member.

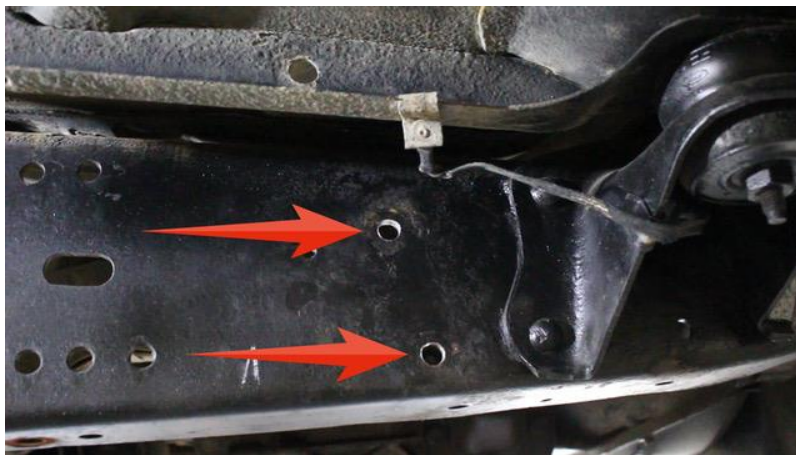


Figure 1.

**\*\*\*Note\*\*\*** Measurement for 2WD trucks; measure back 3 5/8" from the rear of the body mount for the location of the first lower hole (Figure 2).



Figure 2.



2. Hold the radius arm bracket up to the frame and align the front two slotted holes of the bracket with the rear two holes of the leaf spring hanger. Using two 1/2 X 1.75" bolts, attach the radius arm bracket to the frame and snug it up ensuring the bracket is in contact with the bottom of the frame.
3. Using a 1/2" drill bit, drill the two rear holes in the frame using the holes in the radius arm bracket as a guide (Figure 3). Using two 1/2 X 1.5" bolts, snug up the rear of the bracket to the frame.

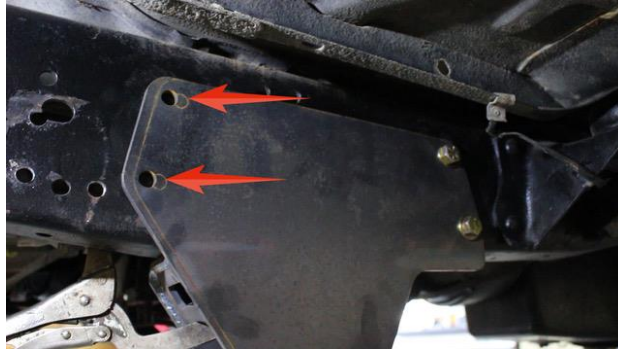


Figure 3.

4. Using a 1/2" drill bit, drill the three holes in the bottom of the frame using the holes in the radius arm bracket as a guide. Install three 1/2 X 1.5" bolts, tighten down all mounting bolts.
5. Repeat steps 1-5 on the opposite side of the truck. Now you're ready to install your 05+ radius arms (Figure 4).

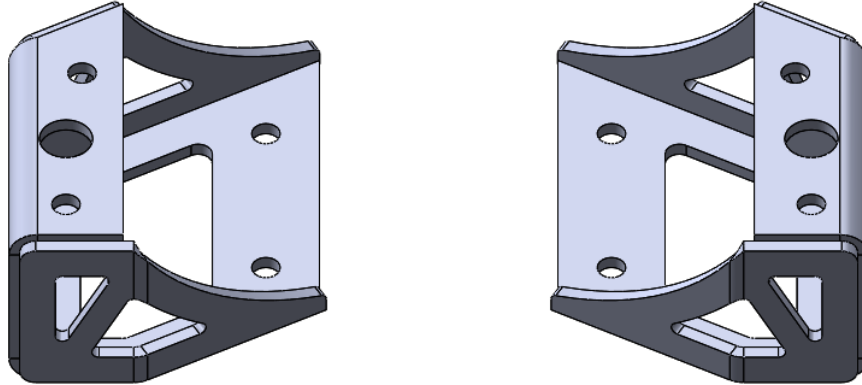


Figure 4.

**VERIFY ALL FASTENERS ARE PROPERLY TORQUED BEFORE DRIVING VEHICLE  
RETORQUE ALL NUTS, BOLTS AND LUGS AFTER 100 KILOMETERS AND  
PERIODICALLY THEREAFTER**



# FORD 1992-1996 SWAY BAR BRACKET INSTALLATION INSTRUCTIONS



<b>Components Included</b>	
(1) Ford 1992-1996 DS Sway Bar Bracket	
(1) Ford 1992-1996 PS Sway Bar Bracket	
<b>Hardware Included</b>	
(8) 3/8 X 1.25 Bolt	(16) 3/8 Flat Washer
(8) 3/8 Nylock Nut	
<b>Tools Required</b>	
9/16" Socket/Wrench	
Torque Wrench	

## WARNING

RYD Motorsports recommends the installation to be performed by a professional technician/professional shop.

Read instructions and warning carefully before installation and operation. Failure to do so could result in damage to your vehicle.

## Installation Instructions

1. Clean/remove debris from the frame rail where the sway bar drop bracket will be installed (Figure 1).



Figure 1.

2. Install the sway bar bracket on the frame using 3/8 X 1.25" bolts. When installed the open side of the bracket will face inwards and towards the rear of the truck (Figure 2).



Figure 2.

3. Repeat steps 1 and 2 on the opposite side of the truck. Now you are ready to install your 05+ sway bar.

**VERIFY ALL FASTENERS ARE PROPERLY TORQUED BEFORE DRIVING VEHICLE  
RETORQUE ALL NUTS, BOLTS AND LUGS AFTER 100 KILOMETERS AND  
PERIODICALLY THEREAFTER**