



WWB10G

10-Gallon Hot Water Dispenser



10-Gallon Hot Water Dispenser

INNOVATING WATER

Pour-over and auto-fill modes with low level and high level sensors

Heavy-duty 304 brushed stainless steel housing with caution markings

Knuckle guard to protect users from hot surfaces

Adjustable steel feet for balancing with rubber non-skid caps for stability

Secondary pipe drains all remaining water residing below the faucet

Overflow trough catches water and condensation coming from inside the tank



Blue backlit LCD display shows actual temp, set temp and all current settings

Touchpad controls include temp and time settings, F° & C° options, light controls and night mode



Tomlinson no-drip® lead-free faucet is removable for easy cleaning



Secondary pipe drains all remaining water residing below the faucet



@waringcommercial

©2019 Waring Commercial
314 Ella T. Grasso Avenue, Torrington, CT 06790
Tel. 800-492-7464 • Fax 860-496-9008

waringcommercialproducts.com

WWB10G



WWB10G



10-Gallon Hot Water Dispenser

Item # _____
 Model # _____
 Name _____
 SIS _____
 AIA _____



MAIN FEATURES

- Digital controls and LCD display for ease of operation
- Precise temperature control and accuracy
- Temperature range from 150°–205°F (66°–96°C)
- Automatic water refill or pour-over capability
- Heat 10 gallons in 3 hours
- All-stainless steel construction
- Tomlinson® No-Drip® tap operation*
- 10 gallon capacity above the spigot level, 12 gallons total
- Set night-mode feature to automatically start heating overnight, so water is hot when you need it
- Knuckle guard for safe operation during dispensing
- Features adjustable legs to set height to the proper level for your space or container
- Uses: Tea, miso, mashed potatoes, grits, oatmeal, etc.
- Limited One Year Warranty

*Tomlinson®, No-Drip® and the Faucet and Handle configurations are registered trademarks of The Meyer Company, Cleveland, OH

ELECTRICAL

Voltage: 120

Frequency: 60Hz

Watts: 1800

Amps: 15

Plug Type: NEMA 5-15P ⓘ

Cord Length: 3.5 feet



SALES FEATURES

The large capacity ensures you have hot water just when you need it. Operates with automatic water refill or pour-over capability. Pour-over fill provides portability, perfect for off-site events, catering and banquets. Set the night-mode energy-saving feature to automatically start heating during non-business hours, so water is hot when you need it.

10-Gallon Hot Water Dispenser

WWB10G



@waringcommercial

©2019 Waring Commercial
 314 Ella T. Grasso Avenue, Torrington, CT 06790
 Tel. 800-492-7464 • Fax 860-496-9008

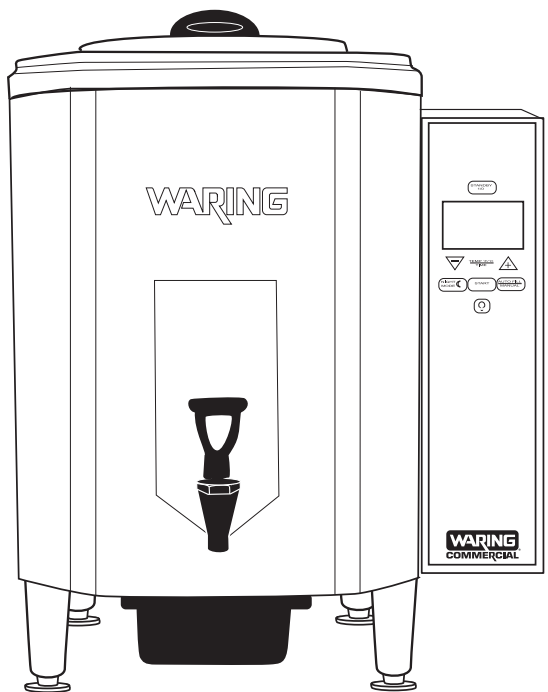
waringcommercialproducts.com



10-Gallon Hot Water Dispenser WWB10G

DIMENSIONS

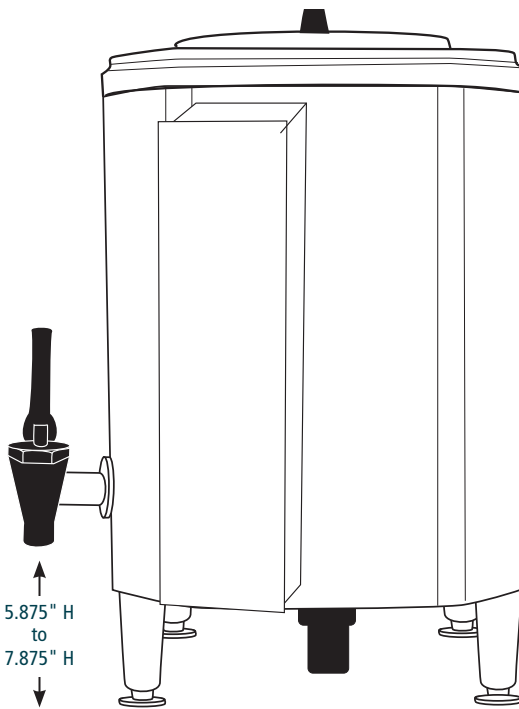
18.5" W



14" W

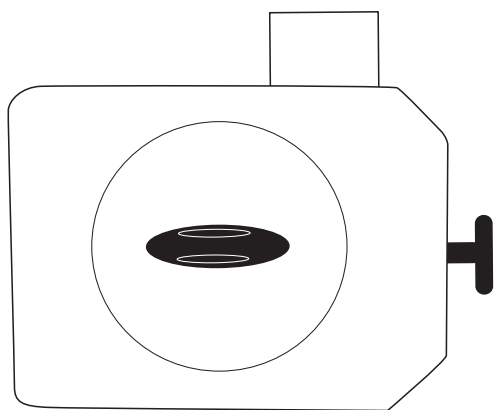
23.5" H
to
25.5" H

16.75" D



5.875" H
to
7.875" H

19.5" D

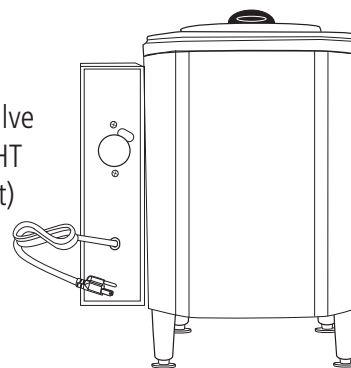


14" W

18.5" W

19.5" D

Water inlet valve
- 3/4-inch GHT
(back of unit)



Out-of-Box Weight: 34.5 lb. (empty), 136 lb. (full)

ORDERING INFORMATION	#STD. PKG.	GIFTBOX WEIGHT	CUBIC FEET	BOX DIMENSIONS D X W X H	UPC	CASE PKG.	MC WEIGHT	MC DIMENSIONS D X W X H	MBC
WWB10G - 10-Gallon Hot Water Dispenser	1	40	6.296	21.5" x 22" x 23"	040072068645	1	40	21.5" x 22" x 23"	10040072068642



@waringcommercial

©2019 Waring Commercial
314 Ella T. Grasso Avenue, Torrington, CT 06790
Tel. 800-492-7464 • Fax 860-496-9008

waringcommercialproducts.com

19WC059772 / REV 04/19