



**Flywheel  
Slicer  
AX-VOL12 / AX-VOL14**



**AX-VOL12 / AX-VOL14 – Flywheel Slicer**

The Axis flywheel slicer is built in aluminum with internal parts of stainless steel. This glossy red paint offers the advantage to be quickly cleanable for absolute sanitation. The machine is hand operated and can therefore also be used in places without power supply. The incorporated sharpener makes the sharpening very easy, keeping the blade consistent while ensuring the perfect cut!

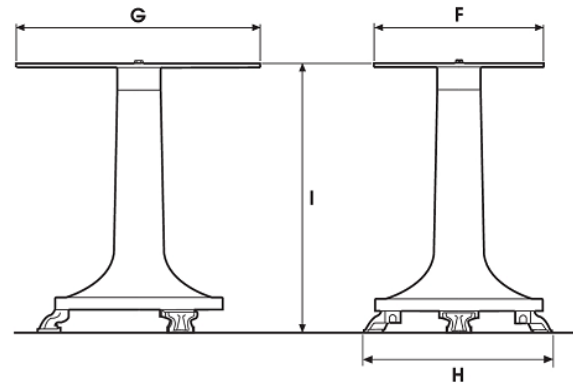
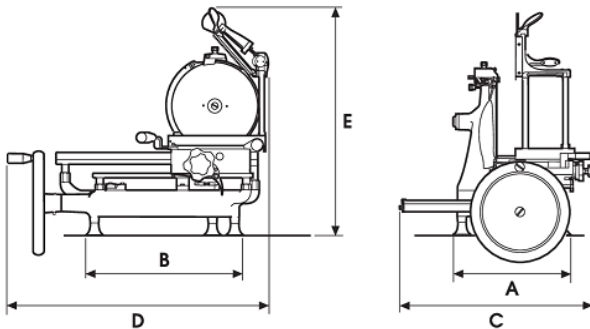
**STANDARD FEATURES**

- Self-locking arm
- High performance .50 HP motor
- Fixed ring guard
- Cutting thickness 0-3mm

Model	Blade Size	Horsepower	Net Weight	Dimensions (L x H)
AX-VOL12	12"	0.5HP	100lbs	9.05" x 7.48"
AX-VOL14	14"	0.5HP	179lbs	10.6" x 9.84"



**\*Stand Sold Separately\***



**Measurements:**

**VOL12/VOL14**

- A: 13.4/14.5"
- B: 15.7/24"
- C: 23.6/27.2"
- D: 28.3/33.5"
- E: 29.1/25.6"
- F: 22.8"
- G: 28"
- H: 27.5"
- I: 33.5"

**MVP GROUP CORPORATION**  
 5659 Royalmount Ave. Montreal, QC Canada H4P 2P9  
 Tel: 514-737-9701 888-275-4538 Fax: 514-342-3854  
 www.mvpgroupcorp.com / sales@mvpgroupcorp.com

