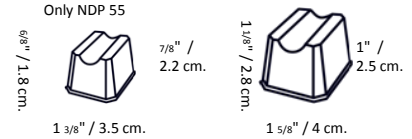




ICE MAKERS

ALFA NDP 55 / NG 75 / NG 95 / NG 135



ALFA NDP 55
44 Lbs./ 11 Lbs.
20 kg./ 5 kg.



ALFA NG 75
64 Lbs./ 24 Lbs.
29 kg./ 11 kg.



ALFA NG 95
95 Lbs./ 37 Lbs.
43 kg./ 17 kg.



ALFA NG 135
130 Lbs./ 44 Lbs.
59 kg./ 20 kg.

Daily Ice Production / Ice Storage

Standard Features



SPRAY SYSTEM (NOZZLES)

The spray nozzle, patented by ITV, does not allow calcareous build-up and produces solid transparent ice cubes which take longer to melt.



DYNAMIC PRODUCTION

The water is constantly circulating and the ice gradually forms in thin layers, avoiding trapped gasses and producing crystal clear ice cubes. Only the purest of ice cubes are produced.



SILENT RAIN

All parts in contact with water have been designed to minimize their friction resulting in a very low noise level.



ELECTROMECHANICAL CONTROLS

The machine works with electromechanical timer and thermostats. Simple, easy to comprehend and service. High reliability and low maintenance expense.



DUAL SWITCH

External switch allows to turn the machine on/off easily. Removing the top cover, we have the ice/wash switch on one side of the electrical box.



STRONG INOX FRAME. 304 STAINLESS STEEL CONSTRUCTION

Box-type frame with stainless steel supports, makes the machine stronger and allows servicing operation without disassembling the entire machine.



EASY ACCESS FOR SERVICE AND INSTALLATION

Designed to have better access to all components making installation and servicing operations easier. One person can disassemble the entire machine with a basic screwdriver.



FRONT VENTILATION

Condensing unit permits 100% front ventilation, air inflow and outflow through the front grill.



INSULATED STORAGE BIN

Storage bin with polyurethane foam insulation gives higher rigidity with lower heat transmission. Isolated but not refrigerated bins.



OPERATING LIMITS

Tropicalized machines (Class T); Suitable for low temperature environments of 41° (5°C) Air and Water and high temperature environments of 109°F (43°C) (Air), 95°F (35°C) (Water) Water pressure: Min. 10 psi. (0.7 bar.)/ Max. 85 psi. (6 bar.). NOTE: Install a pressure reducer if water inlet pressure is more than 85 psi. (6 bar.).



ELECTRICAL SPECIFICATIONS

115V/60Hz/1 - Fuse Size 15-20 - Nema Plug Type 5-15P. Also available 220V/50Hz. (Special order only)



WARRANTY

36 months parts and labor + 24 additional months parts on compressor and evaporator.

ALFA NDP 55 / NG 75 / NG 95 / NG 135 UNDER THE COUNTER ICE CUBE MAKERS



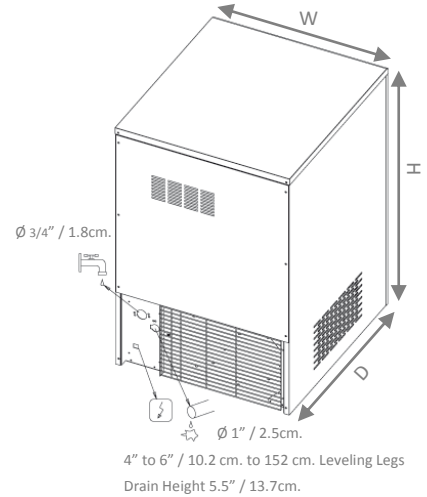
ICE MAKERS

ALFA NDP 55 / NG 75 / NG 95 / NG 135



Dimensions (Inch./Cm.)

ALFA	W	D	H
NDP 55	13 7/8" / 35 cm.	18 1/2" / 47 cm.	23 1/4" / 59 cm.
NG 75	16" / 41 cm.	20 1/4" / 52 cm.	29 5/8" / 75 cm.
NG 95	18 1/4" / 47 cm.	23 3/8" / 60 cm.	31 1/4" / 80 cm.
NG 135	21 1/8" / 54 cm.		



General Specifications

ALFA	Production				Cubes Cycle	Storage Lbs./ Kg.	Water Usage gal./hr. / l./ hr. 90°F/70°F	Power W	Amps.	R404A oz.	Net Weight Lbs./ Kg.	Filtration Kit
	70°F Air/50°F Water		90°F Air/70°F Water									
	Lbs./ 24 h.	Kg./ 24 h.	Lbs./ 24 h.	Kg./ 24 h.								
16014 NDP 55 A	44	20	35	16	18	11/5	1.30/5.00	355	5	10.24	66/30	CS-101 K
16015 NDP 55 W	48	22	37	17	18	11/5		355	5	8.83	66/30	
16034 NG 75 A	64	29	51	23	24	24/11	1.10/4.00	425	6.2	6.00	84/38	CS-101 K
16035 NG 75 W	75	34	59	27	24	24/11		425	6.2	5.30	84/38	
16044 NG 95 A	95	43	75	34	30	37/17	2.20/8.50	550	7.2	9.88	106/48	CS-101 K
16045 NG 95 W	99	45	77	35	30	37/17		550	7.2	9.18	106/48	
16054 NG 135 A	130	59	101	46	45	44/20	3.90/14.70	650	9.4	11.65	128/58	CS-101 K
16055 NG 135 W	141	64	110	50	45	44/20		650	9.4	10.24	128/58	

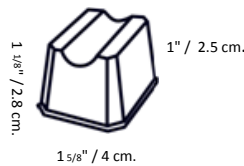
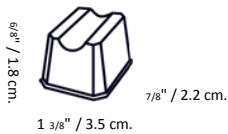
A: Air—Cooled / W: Water—Cooled. Water Cooled Units: Available special order only with restrictions/requirements. Please contact your dealer for details. Dimensions do not include adjustable legs from 4" (10.2 cm.) to 6" (15.2 cm.). Note: ALFA NDP 55 is a counter top unit, does not include legs.

Shipping Weight: NDP 55: 79.4 Lbs. (36 Kg.), **NG 75:** 106 Lbs. (48 Kg.), **NG 95:** 126 Lbs. (57 Kg.), **NG 135:** 150 Lbs. (68 Kg.)

Due to our continuous efforts for improving and developing our range of products, ITV Ice Makers, Inc. reserves the right of changing features with no previous notice.

Ice Shapes

Only NDP 55



AUTOQUOTES

ITV ICE MAKERS, Inc.
3325 NW 70th. Ave.
Miami, FL 33122-1332
Ph. +1 786-369-7480 | Fax. +1 786-369-7481
Service Toll Free. +1 888-ITV 1 ICE (+1 888-488-1423)
www.itvice.com

FOR SALES. sales@itvice.com
FOR SERVICE. service@itvice.com



ISO 9001:2008
CERTIFICATION

© 2013 ITV Ice Makers, Inc