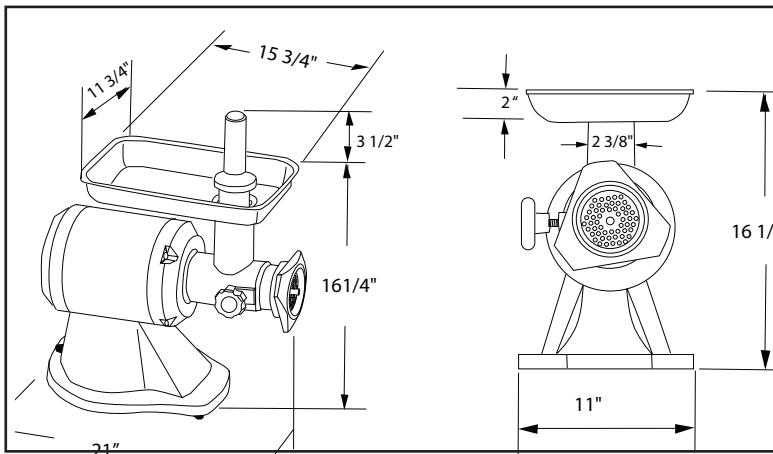


MEAT GRINDER



Model FA22

Made of attractive polished aluminum. Comes with a stainless steel pan, stamper, machine knife and extra #22 machine plates (8mm and 4.8 mm). The Model FA22 meat grinder is ideal for restaurants or small butcher operations.



SPECIFICATIONS

Model	FA22
HP	1.5
RPM	200
Amp	10
Electrical	110V/60/1
Weight	63.8 lbs.
Packaging Weight	77 lbs.
Dimension (LWH)	21" x 11.75" x 19.75"
Packaging Dimension	22" x 14.5" x 17.5"
Item #	21634



Mississauga, Ontario, Canada

Niagara Falls, New York, USA

Tel: (905) 828-0234 Toll-Free: 1-800-465-0234 Fax: (905) 607-0234 Email: sales@omcan.com

www.omcan.com