



COOKING EQUIPMENT

SERVING THE FOOD INDUSTRY SINCE 1951

16" ROUND CREPE MAKER

Item: 27618

Model: CE-CN-0400



Features:

- Built with Stainless Steel base and polished cast iron cooking plate top
- Stainless steel spatula
- Thermostatically controlled from 60-300°C



NEMA
5 - 15
125 VAC / 15 AMP



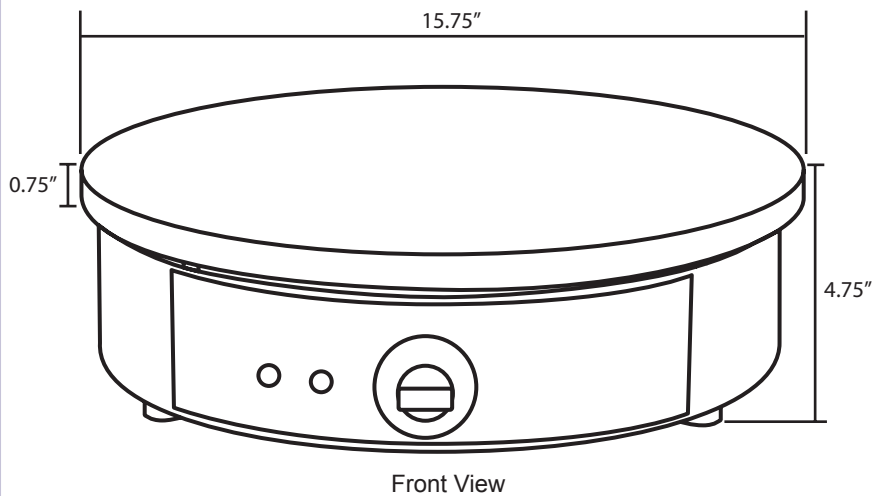
Authorized Dealer

COOKING EQUIPMENT

16" ROUND CREPE MAKER



TECHNICAL DRAWING AND DIMENSIONS



TECHNICAL SPECIFICATION

ITEM	27618
MODEL	CE-CN-0400
POWER	1800W
ELECTRICAL	120v/60Hz
TEMPERATURE RANGE	60-300°C/ 140
PLATE DIAMETER	15.75" / 40 cm
NET WEIGHT	17.5 kg./ 38.5 lbs
PACKAGING WEIGHT	19.5 kg./ 42.9 lbs
DIMENSIONS (DWH)	15.75" x 15.75" x 4.75" / 40 x 40 x 12 cm
PACKAGING DIMENSIONS	21.25" x 21.5" x 8" / 54 x 54 x 20.3 cm

OMCAN INC.

Telephone: 1-800-465-0234
 Fax: (905) 607-0234
 E-mail: sales@omcan.com
 Website: www.omcan.com



Follow us to keep up to date with the latest news and offers



2015.E.O.E