

NDC-60-CG

REFRIGERATED CURVED GLASS DISPLAY CASE

Ideal for restaurants, cafés, and bakeries

NEW AIR
REFRIGERATION



FEATURES



LED lighting under each shelf for superior product display



Double tempered glass

Air ducts on 3 sides to remove condensation around glass



Sliding doors



Black-brushed stainless steel

2 adjustable glass shelves



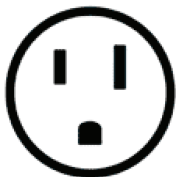
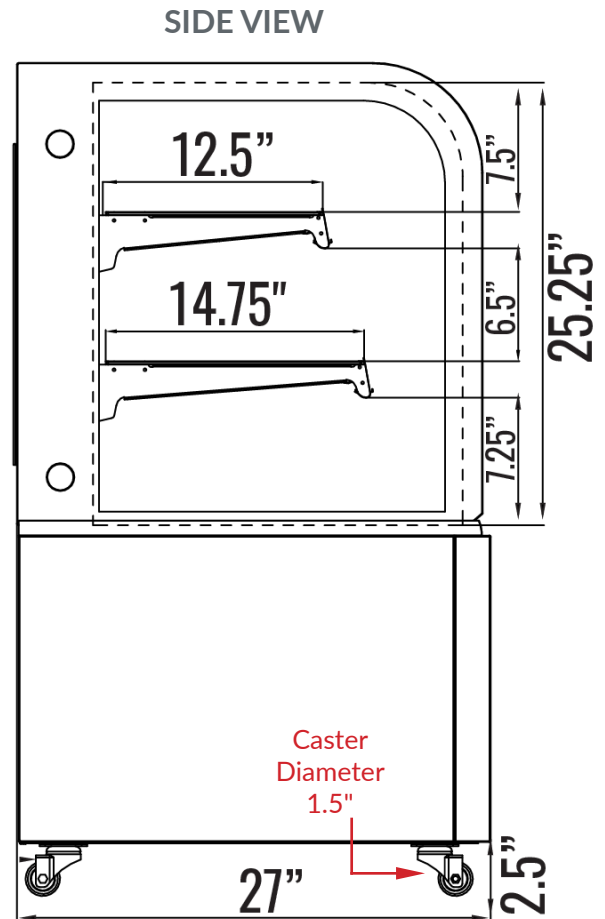
6 casters (3 with brakes)

- ✓ Automatic defrost
- ✓ Digital controller and LED display
- ✓ LED lighting around the interior of the cabinet
- ✓ On & off switch



SPECIFICATIONS

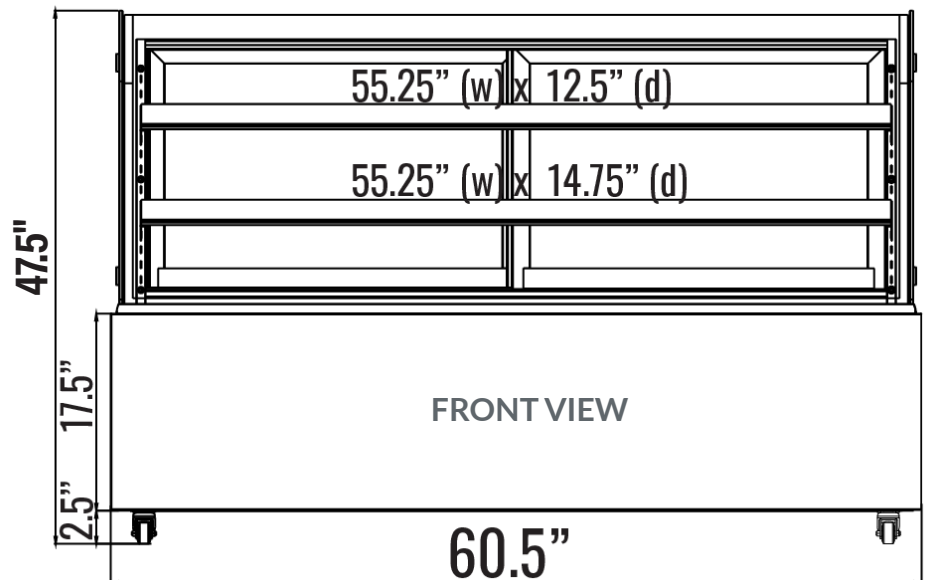
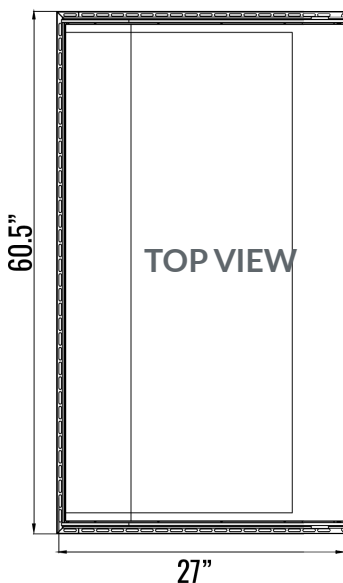
Capacity (Cubic Feet)	16.59
Capacity (Litres)	470
Exterior Unit Dimensions (in)	60.5" (w) x 27" (d) x 47.5" (h)
Packing Dimensions (in)	63.5" (w) x 30" (d) x 51.25" (h)
Interior Dimensions (in)	55.25" (w) x 23" (d) x 25.5" (h)
Net/Gross Weight (lb)	402 / 507
Swivel Casters	6 (including 3 with brakes)
Doors	2
Adjustable Shelves	2
Shelf Dimensions (in)	55.25" (w) x 12.5" (d) (top) 55.25" (w) x 14.75" (d) (middle)
Shelf Capacity (lb)	22
Temperature	2°C to 12°C
Ambient Temperature	≤30°C
Ambient Humidity	≤55%
Refrigerant (CFC-Free)	R290
Input Power (W)	440
Voltage (V)	120V/60Hz
Amperage (A)	4.9
Plug Type	NEMA 5-15P



NEMA 5-15P



Intertek



CUSTOMER SUPPORT



We're on social media!

1.800.567.3620



www.newairrefrigeration.ca

MORE PRODUCTS!



Design and specifications can change without prior notice for product improvement