

NDC-48-SG

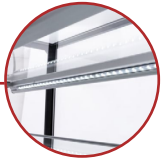
REFRIGERATED SQUARE GLASS DISPLAY CASE

Ideal for restaurants, cafés, and bakeries



FEATURES

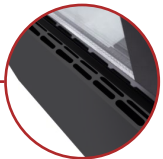
Bright LED Lighting under each shelf for superior product display



Double tempered glass

Heated front glass

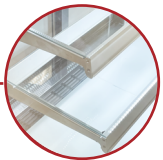
Air ducts on 3 sides to remove condensation around glass



Sliding doors

Black-brushed stainless steel

2 adjustable glass shelves



4 casters & 2 front support legs

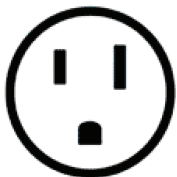
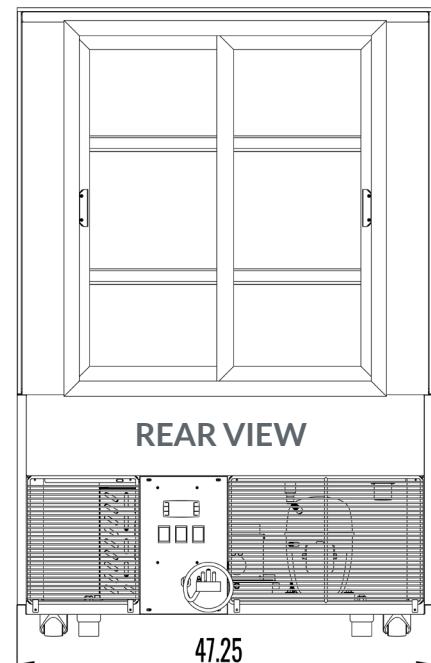
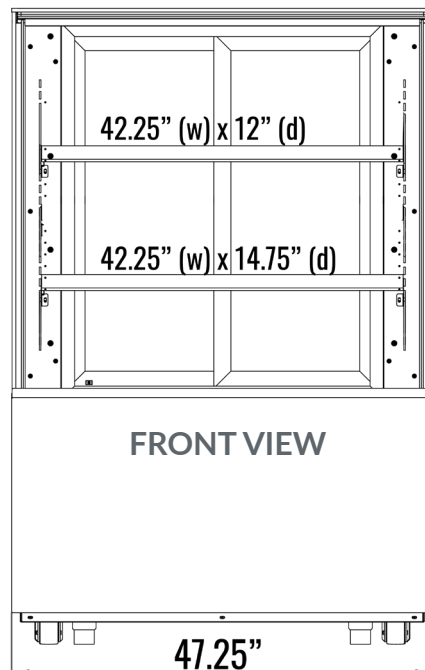
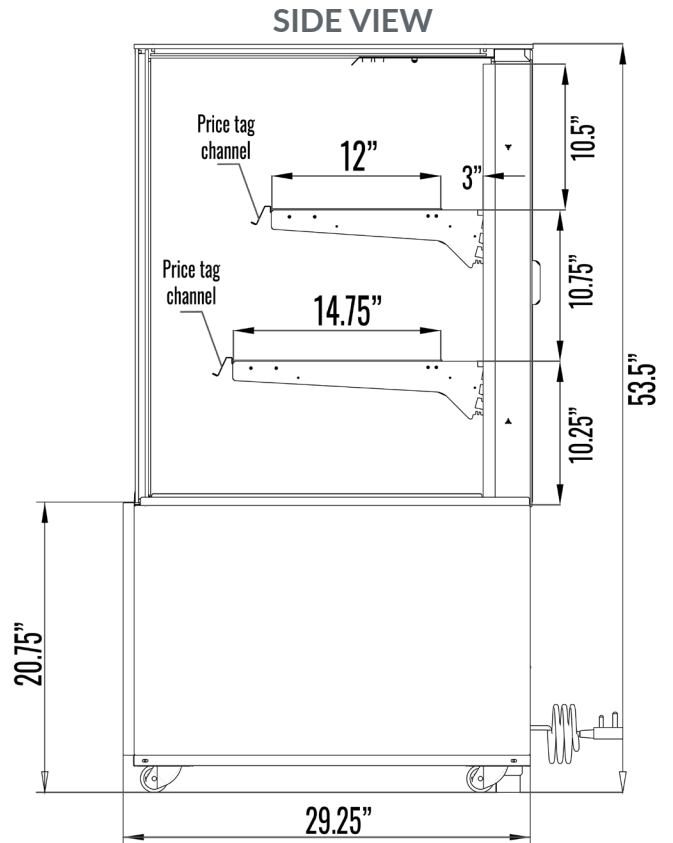


- ✓ Automatic defrost
- ✓ Digital controller and LED display
- ✓ LED lighting around the interior of the cabinet
- ✓ On & off switch



SPECIFICATIONS

Capacity (Cubic Feet)	19.1
Capacity (Litres)	542
Exterior Unit Dimensions (in)	47.25" (w) x 29.25" (d) x 53.5" (h)
Interior Dimensions (in)	42.25 (w) x 26.25" (d) 31.5" (h)
Packing Dimensions (in)	51" (w) x 33.5" (d) x 60.25" (h)
Net/Gross Weight (lb)	622/712
Swivel Casters	4 (including 2 with brakes)
Support Legs	2
Doors	2
Adjustable Shelves	2
Shelf Dimensions (in)	42.25" (w) x 12" (d) top 42.25" (w) x 14.75" (d) (bottom)
Shelf Capacity (lb)	22
Temperature	2°C to 5°C
Ambient Temperature	≤27°C
Ambient Humidity	≤60%
Refrigerant (CFC-Free)	R290
Power (W)	750
Voltage (V)	115V/60Hz/1
Amperage (A)	8.3
Plug Type	NEMA 5-15P



NEMA 5-15P



Intertek



CUSTOMER SUPPORT



We're on social media!

1.800.567.3620



www.newairrefrigeration.ca

MORE PRODUCTS!



Design and specifications can change without prior notice for product improvement