

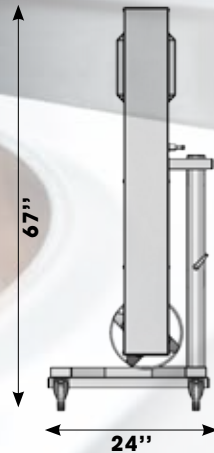
Power Pro Giraffe



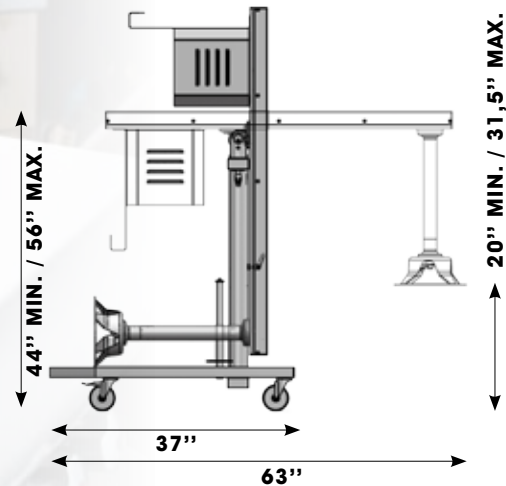
**HEAVY DUTY MOBILE
MIXER FOR LARGE
CAPACITY
APPLICATIONS**



FRONT VIEW



SIDE VIEW



ADVANTAGES

- **Comfort:** Easily maneuverable and transportable with 4 swivel casters.
- **Versatility:** Various accessories.
- **Usability:** Small storage footprint.
- **Sanitation:** 100% stainless steel for easy cleaning.
- **Performance:** Powerful motor of 2,2 KW.

Power Pro Giraffe

Reference	TB002
Voltage	230 V, 3 phase, 50/60Hz
Output	2 200 W
Speed	0 to 4 000 R.P.M.

HEAVY DUTY MOBILE MIXER

Accessories



Power Pro Giraffe Whisk tool

Variable speed compulsory

Reference	TB003
Speed	400 to 600 R.P.M.
Diameter	170 mm / 6,5"
Height	470 mm / 18,5"

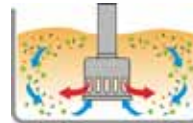
The Whisk tool is ideal for delicate recipes and provides the ultimate in mixing flexibility.



Power Pro Giraffe Blender tool

Reference	TB004
Speed	2 800 to 4 000 R.P.M.
Diameter	100 mm / 3,8"
Height	90 mm / 3,5"

The Blender tool is ideal for emulsifying soups and sauces.



*See images below for texture difference.



Power Pro Giraffe Mixer tool

Reference	TB012
Speed	2 800 to 4 000 R.P.M.
Diameter	280 mm / 11"
Height	160 mm / 6,5"

The Mixer tool is ideal for mixing large capacity preparations like soups and sauces in less than 5 minutes.



NEW

Power Pro Giraffe Potato Masher tool

Variable speed compulsory

Reference	TB013
Speed	800 to 1 600 R.P.M.
Diameter	147 mm / 5,8"
Height	251 mm / 9,9"

The Potato Masher tool is designed for high volume purées that require 50 to 150 kg of potatoes.



Power Pro Giraffe Pump

Reference	TB030 (TB004 required)
Speed	-
Diameter	178 mm / 7"
Height	90 mm / 3,5"

The Pump allows for an effortless and fast transfer of food preparations. Adaptable on the Blender tool only (sold separately).



Power Pro Giraffe Gun

Reference	TB040 (TB030 required)
Speed	-
Length	202 mm / 8"
Height	243 mm / 9,6"

The Gun can be used as a complementary tool for the transfer of food preparations in smaller containers. Adaptable on the Pump attachment only (sold separately).

*



01 - Texture obtained with Mixer tool (TB012). The texture did not evolve and remains slightly rough.

02 - Texture obtained with Blender tool (TB004). The texture is creamy, smooth and perfect.