

# BUNN refresh -CT Portion Control Black

27.0" x 26.5" x 10.0"  
(68.6cm x 67.3cm x 25.4cm)



- Offers three portion control settings for Still Water, and three portion control settings for Sparkling Water
- In-line patent-pending water mistifier provides the delicate balance of purified, cold water and "light" carbonation for longer lasting sparkling water and optimal absorption of flavors
- Recirculation loop ensures cold water is constantly circulating for consistent low casual drink temperature of 40°F water
- One water filtration system included. Purity achieved with water filtration technology certified to reduce cysts, lead, particulates, chloramines, chlorine taste and odor and up to 99.99% of common water-borne bacteria
- The perfect instrument to incorporate infusions and natural ingredients for crafted beverages
- Recommended for the Quick Serve, Full Service Restaurant, Healthcare, College and University, Amusement and Leisure, Office Systems, Lodging/Hospitality, Convenience Store and Specialty/Retail Bar channels
- New visual design language worthy of front-of-the-house settings

Agency:



## Specifications

**Product #:** 45800.0001

**Water Access:** Plumbed

**Finish:** Black

**Door:** Side Hinge

**Dispense:** Portion Control

## Additional Features

## Electrical & Capacity

Volts	Amps	Watts	Cord Attached	Plug Type	8oz cups/hr 236ml cups/hr	Input H <sub>2</sub> O Temp.	Phase	# Wires plus Ground	Hertz
120	5.2	540	Yes	NEMA 5-15P	-	60°F (15.5°C)	1	2	60

## Plumbing Requirements

PSI	kPa	Fitting Supplied	Water Flow Required (GPM)
30-100	207-689	3/8" Male Flare Fitting	1.40

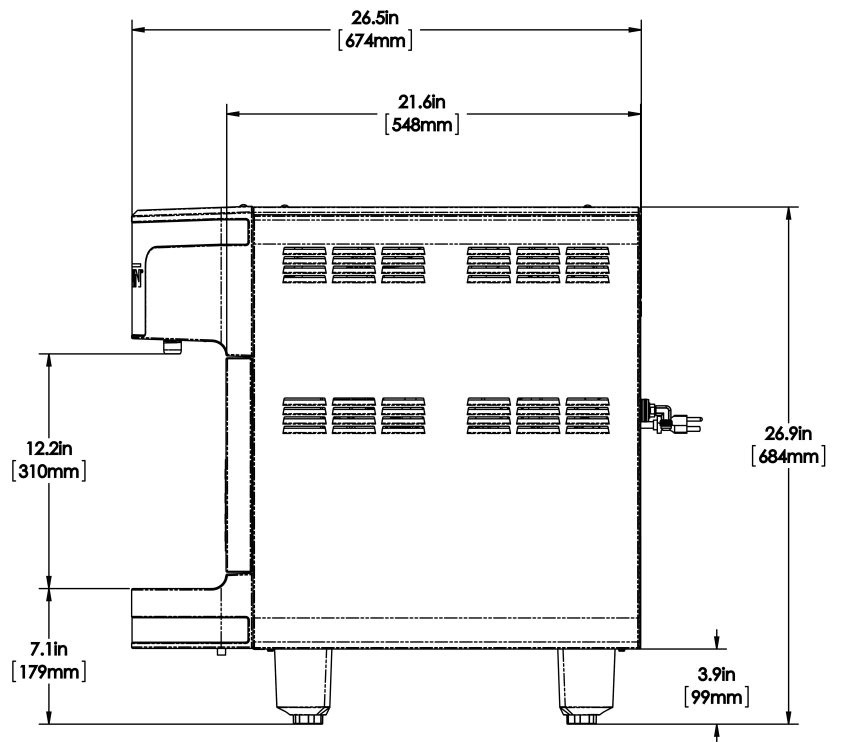
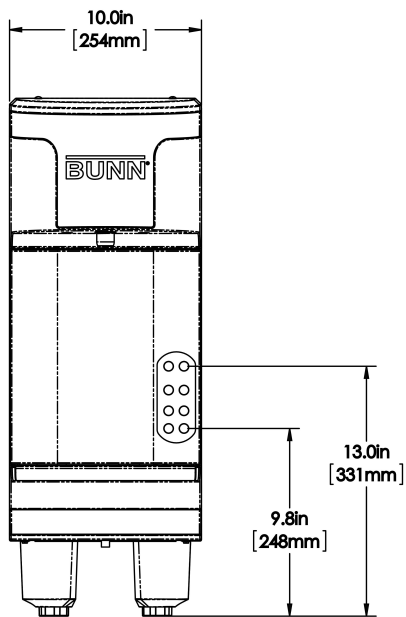
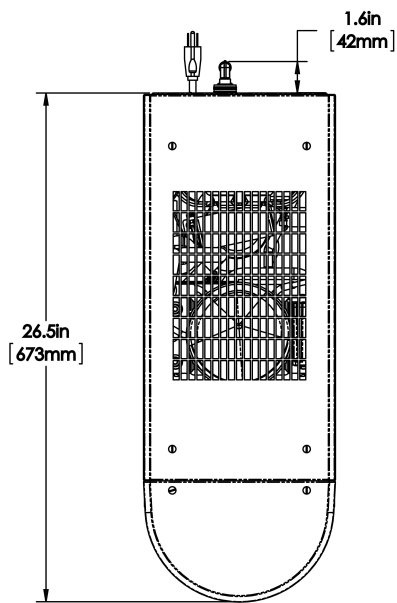
## CAD Drawings

2D	Revit	KLC
●		



BUNN® reserves the right to change specifications and product design without notice. Such revisions do not entitle the buyer to corresponding changes, improvements, additions or replacements for previously purchased equipment. For most current specifications and other info visit [bunn.com](http://bunn.com).

Created on:  
01/01/2019



	Unit			Shipping				
	Width	Height	Depth	Width	Height	Depth	Weight	Volume
English	10.0 in.	27.0 in.	26.5 in.	31.0 in.	42.5 in.	23.5 in.	103.000 lbs	17.917 ft³
Metric	25.4 cm	68.6 cm	67.3 cm	78.7 cm	108.0 cm	59.7 cm	46.721 kgs	0.507 m³



BUNN® reserves the right to change specifications and product design without notice. Such revisions do not entitle the buyer to corresponding changes, improvements, additions or replacements for previously purchased equipment. For most current specifications and other info visit [bunn.com](http://bunn.com).

Created on:  
01/01/2019

## Related Products & Accessories: BUNN refresh -CT Portion Control Black(45800.0001)



WATER FILTER,  
EQHP-5C

Product #: 39000.0014



CARTRIDGE,  
EQHP-5CCRTG

Product #: 39000.1014



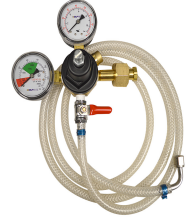
KIT, CO2 TWIN 20 LB  
TANK RACK W/  
REGULATOR

Product #: 52367.1000



BOTTLES, GLASS  
WATER 12PK

Product #: 52720.0001



KIT, PRIMARY CO2  
REGULATOR

Product #: 52820.0000



BUNN® reserves the right to change specifications and product design without notice. Such revisions do not entitle the buyer to corresponding changes, improvements, additions or replacements for previously purchased equipment. For most current specifications and other info visit [bunn.com](http://bunn.com).

Created on:  
01/01/2019

# Serving & Holding Options: BUNN refresh -CT Portion Control Black(45800.0001)

\*Serving and Holding selections are currently unavailable. Please contact your sales representative to find out more information.\*



BUNN® reserves the right to change specifications and product design without notice. Such revisions do not entitle the buyer to corresponding changes, improvements, additions or replacements for previously purchased equipment. For most current specifications and other info visit [bunn.com](http://bunn.com).

Created on:  
01/01/2019

# BUNN refresh -CT Push Button White

27.0" x 26.5" x 10.0"  
(68.6cm x 67.3cm x 25.4cm)



- Provides one push-and-hold button for Still water, and one push-and-hold button for Sparkling water
- In-line patent-pending water mistifier provides the delicate balance of purified, cold water and "light" carbonation for longer lasting sparkling water and optimal absorption of flavors
- Recirculation loop ensures cold water is constantly circulating for consistent low casual drink temperature of 40°F water
- One water filtration system included. Purity achieved with water filtration technology certified to reduce cysts, lead, particulates, chloramines, chlorine taste and odor and up to 99.99% of common water-borne bacteria
- The perfect instrument to incorporate infusions and natural ingredients for crafted beverages
- Recommended for the Quick Serve, Full Service Restaurant, Healthcare, College and University, Amusement and Leisure, Office Systems, Lodging/Hospitality, Convenience Store and Specialty/Retail Bar channels
- New visual design language worthy of front-of-the-house settings

Agency:



## Specifications

**Product #:** 45800.0002

**Water Access:** Plumbed

**Finish:** White

**Door:** Side Hinge

**Dispense:** Push Button

## Additional Features

## Electrical & Capacity

Volts	Amps	Watts	Cord Attached	Plug Type	8oz cups/hr 236ml cups/hr	Input H <sub>2</sub> O Temp.	Phase	# Wires plus Ground	Hertz
120	5.2	540	Yes	NEMA 5-15P	-	60°F (15.5°C)	1	2	60

## Plumbing Requirements

PSI	kPa	Fitting Supplied	Water Flow Required (GPM)
30-100	207-689	3/8" Male Flare Fitting	1.40

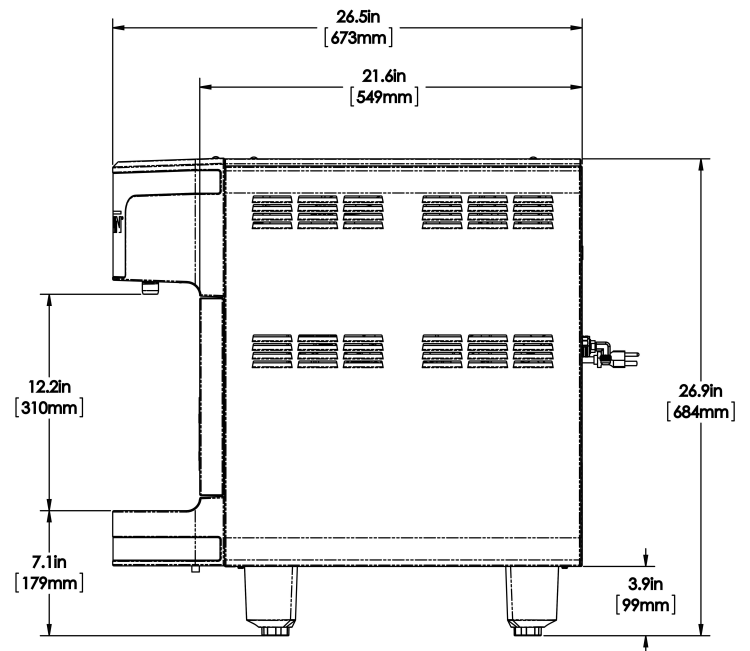
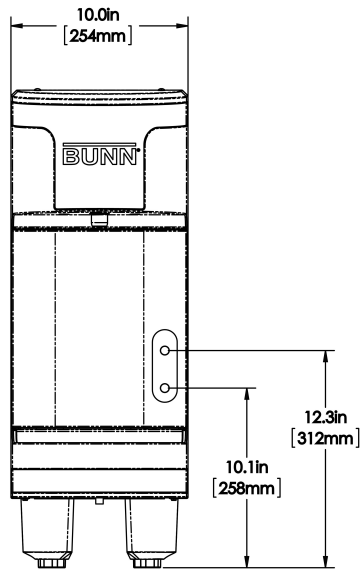
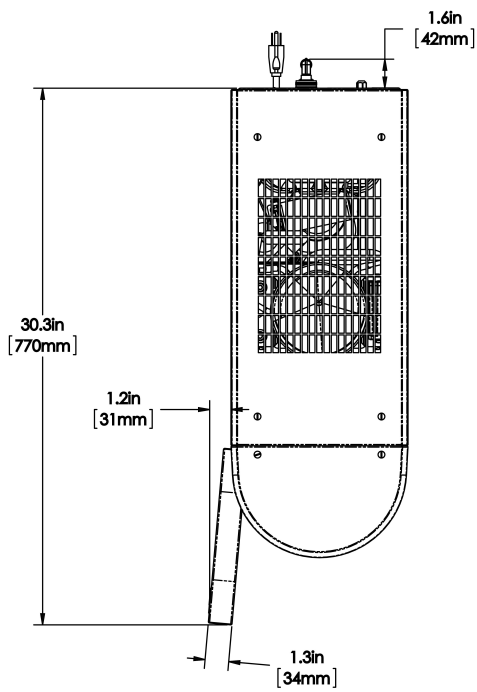
## CAD Drawings

2D	Revit	KLC
●		



BUNN® reserves the right to change specifications and product design without notice. Such revisions do not entitle the buyer to corresponding changes, improvements, additions or replacements for previously purchased equipment. For most current specifications and other info visit [bunn.com](http://bunn.com).

Created on:  
01/01/2019



	Unit			Shipping				
	Width	Height	Depth	Width	Height	Depth	Weight	Volume
English	10.0 in.	27.0 in.	26.5 in.	31.0 in.	42.5 in.	23.5 in.	103.000 lbs	17.917 ft³
Metric	25.4 cm	68.6 cm	67.3 cm	78.7 cm	108.0 cm	59.7 cm	46.721 kgs	0.507 m³



BUNN® reserves the right to change specifications and product design without notice. Such revisions do not entitle the buyer to corresponding changes, improvements, additions or replacements for previously purchased equipment. For most current specifications and other info visit [bunn.com](http://bunn.com).

Created on:  
01/01/2019

## Related Products & Accessories: BUNN refresh -CT Push Button White(45800.0002)



WATER FILTER,  
EQHP-5C

Product #: 39000.0014



CARTRIDGE,  
EQHP-5CCRTG

Product #: 39000.1014



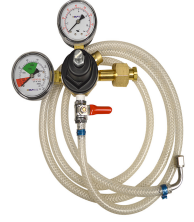
KIT, CO2 TWIN 20 LB  
TANK RACK W/  
REGULATOR

Product #: 52367.1000



BOTTLES, GLASS  
WATER 12PK

Product #: 52720.0001



KIT, PRIMARY CO2  
REGULATOR

Product #: 52820.0000



BUNN® reserves the right to change specifications and product design without notice. Such revisions do not entitle the buyer to corresponding changes, improvements, additions or replacements for previously purchased equipment. For most current specifications and other info visit [bunn.com](http://bunn.com).

Created on:  
01/01/2019

# Serving & Holding Options: BUNN refresh -CT Push Button White(45800.0002)

\*Serving and Holding selections are currently unavailable. Please contact your sales representative to find out more information.\*



BUNN® reserves the right to change specifications and product design without notice. Such revisions do not entitle the buyer to corresponding changes, improvements, additions or replacements for previously purchased equipment. For most current specifications and other info visit [bunn.com](http://bunn.com).

Created on:  
01/01/2019