

MCA

13.6" x 10.5" x 8.0"
(34.5cm x 26.7cm x 20.3cm)



- A drawer-style pod holder keeps hands clean and dry at all times
- Automatic model is connected to waterline, eliminating the need to manually refill reservoir
- Brew 4 to 12oz of coffee or tea to preferred strength by adjusting the portion/volume control
- Easy to use and maintain with a removable water reservoir and easy-slide lid to pour in water
- Pod drawer works with most pods from 45 to 61mm. A commercial-quality system capable of brewing both coffee and tea
- Fast brew coffee in about 30 seconds. Stainless steel heating tank uses a thermostat to hold water at the perfect ready-to-brew temperature
- Pod holder, reservoir, lid and drip tray assembly are dishwasher safe
- Includes two pod holders to prevent flavor transfer
- Reservoir holds 46oz of water
- Tea button features pulse brew technology to provide steeping action
- Energy-saver mode reduces tank temperature during idle periods
- Can also be used as pourover with no waterline connection

Agency:



Specifications

Product #: 35400.0009

Water Access: Plumbed

Additional Features

Electrical & Capacity

Volts	Amps	Watts	Cord Attached	Plug Type	8oz cups/hr 236ml cups/hr	Input H ₂ O Temp.	Phase	# Wires plus Ground	Hertz
120	12	1440	Yes	NEMA 5-15P	60	60°F (15.5°C)	1	2	60

Plumbing Requirements

PSI	kPa	Fitting Supplied	Water Flow Required (GPM)
20-90	138-621	1/4" Male Flare Fitting	-

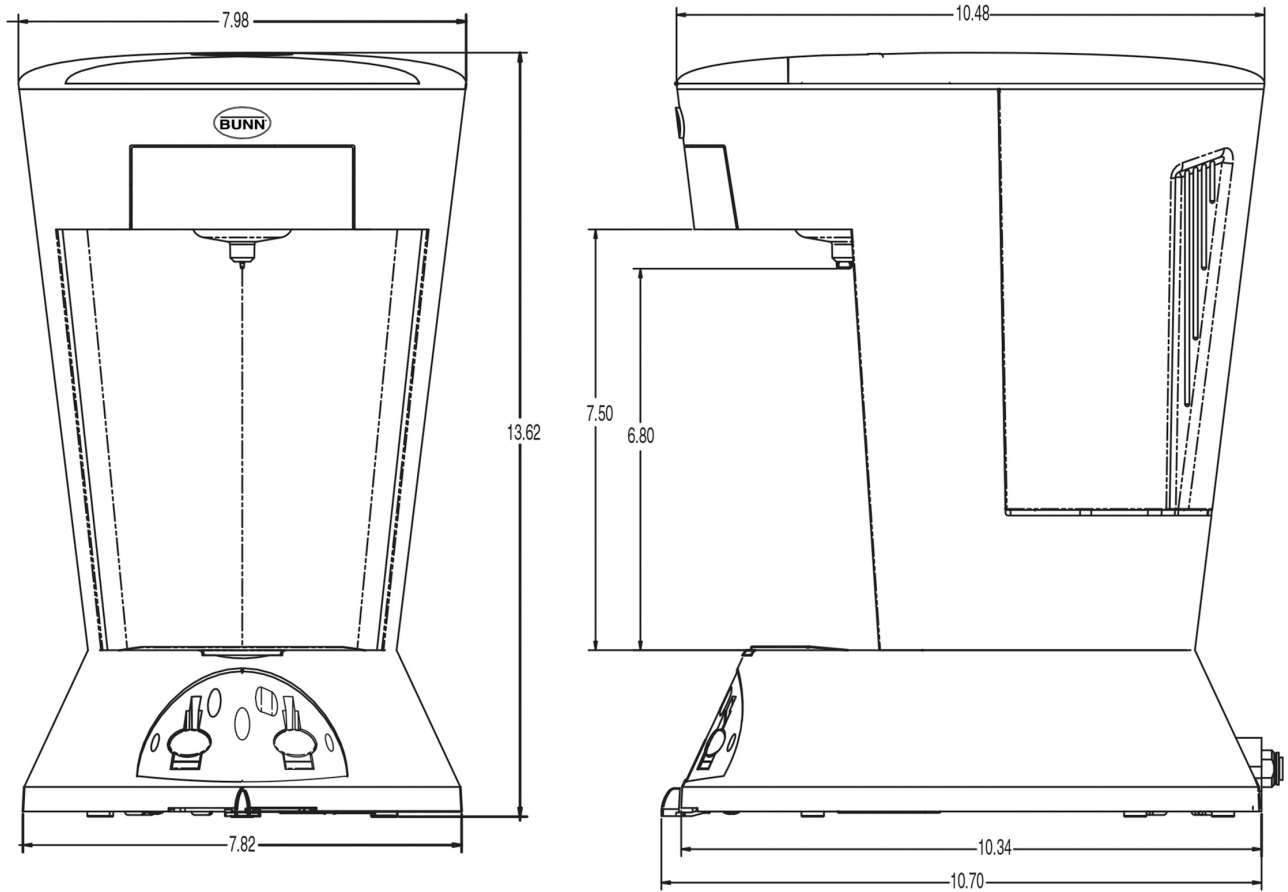
CAD Drawings

2D	Revit	KLC
●		



BUNN® reserves the right to change specifications and product design without notice. Such revisions do not entitle the buyer to corresponding changes, improvements, additions or replacements for previously purchased equipment. For most current specifications and other info visit bunn.com.

Created on:
02/06/2019



	Unit			Shipping				
	Width	Height	Depth	Width	Height	Depth	Weight	Volume
English	8.0 in.	13.6 in.	10.5 in.	14.0 in.	16.0 in.	10.5 in.	11.300 lbs	1.361 ft ³
Metric	20.3 cm	34.5 cm	26.7 cm	35.6 cm	40.6 cm	26.7 cm	5.126 kgs	0.039 m ³



BUNN® reserves the right to change specifications and product design without notice. Such revisions do not entitle the buyer to corresponding changes, improvements, additions or replacements for previously purchased equipment. For most current specifications and other info visit bunn.com.

Created on:
02/06/2019

Related Products & Accessories:MCA(35400.0009)



MERCHANDISER, STD
HEADER-POD

Product #: 39501.0001



RACK ASSY W/U-
CHANNEL POD

Product #: 39502.0001



BUNN® reserves the right to change specifications and product design without notice. Such revisions do not entitle the buyer to corresponding changes, improvements, additions or replacements for previously purchased equipment. For most current specifications and other info visit bunn.com.

Created on:
02/06/2019

Serving & Holding Options: MCA(35400.0009)

Serving and Holding selections are currently unavailable. Please contact your sales representative to find out more information.



BUNN® reserves the right to change specifications and product design without notice. Such revisions do not entitle the buyer to corresponding changes, improvements, additions or replacements for previously purchased equipment. For most current specifications and other info visit bunn.com.

Created on:
02/06/2019

MCP

12.5" x 10.5" x 8.0"
(31.8cm x 26.7cm x 20.3cm)



- A drawer-style pod holder keeps hands clean and dry at all times
- Pourover model requires no waterline connection, and is completely portable
- Brew 4 to 12oz of coffee or tea to preferred strength by adjusting the portion/volume control
- Easy to use and maintain with a removable water reservoir and easy-slide lid to pour in water
- Pod drawer works with most pods from 45 to 61mm. A commercial-quality system capable of brewing both coffee and tea
- Fast brew coffee in about 30 seconds. Stainless steel heating tank uses a thermostat to hold water at the perfect ready-to-brew temperature
- Pod holder, reservoir, lid and drip tray assembly are dishwasher safe
- Includes two pod holders to prevent flavor transfer
- Reservoir holds 46oz of water
- Tea button features pulse brew technology to provide steeping action
- Energy-saver mode reduces tank temperature during idle periods

Agency:



Specifications

Product #: 35400.0003

Water Access: Not Plumbed

Additional Features

Electrical & Capacity

Volts	Amps	Watts	Cord Attached	Plug Type	8oz cups/hr 236ml cups/hr	Input H ₂ O Temp.	Phase	# Wires plus Ground	Hertz
120	12	1440	Yes	NEMA 5-15P	60	60°F (15.5°C)	1	2	60

Plumbing Requirements

PSI	kPa	Fitting Supplied	Water Flow Required (GPM)
-	-	-	-

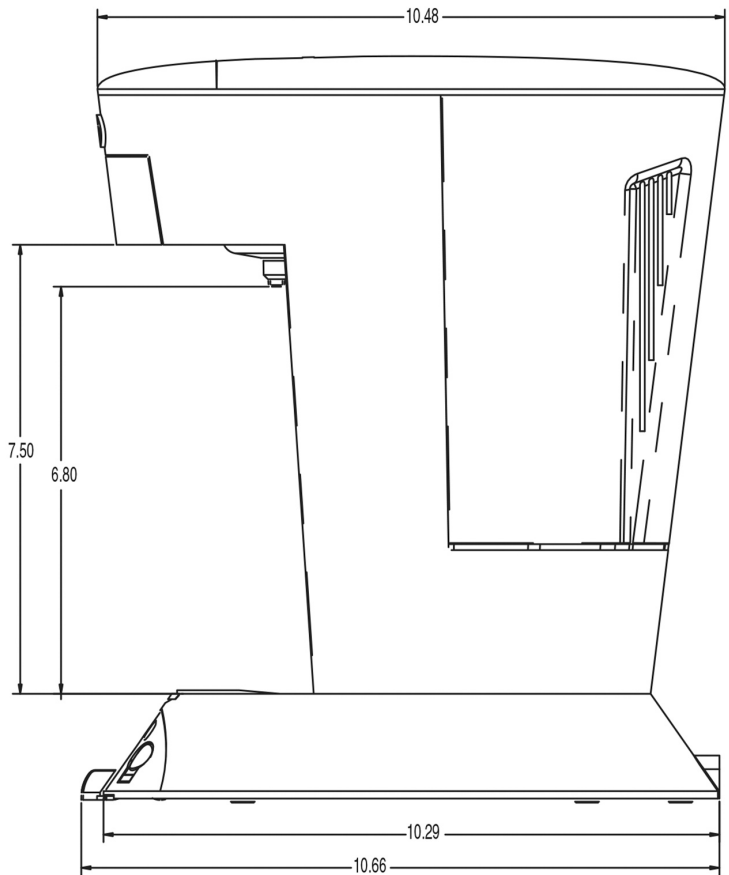
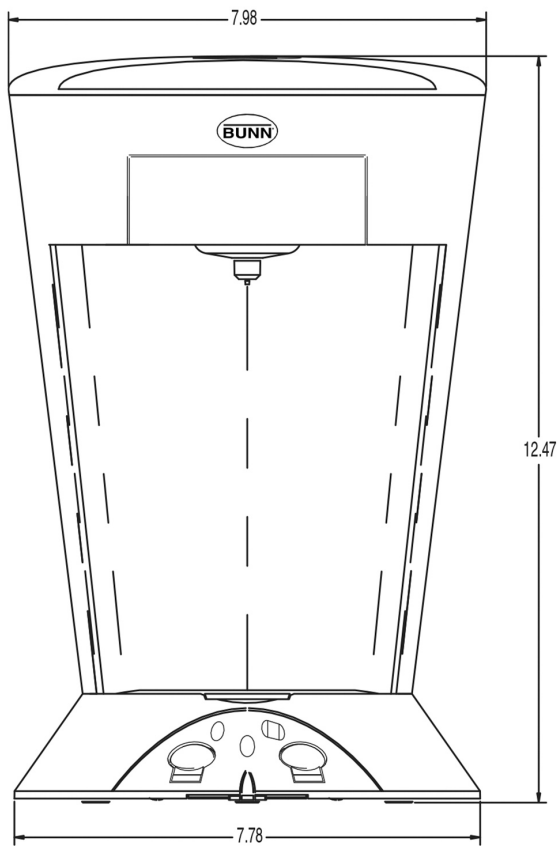
CAD Drawings

2D	Revit	KLC
●		



BUNN® reserves the right to change specifications and product design without notice. Such revisions do not entitle the buyer to corresponding changes, improvements, additions or replacements for previously purchased equipment. For most current specifications and other info visit bunn.com.

Created on:
02/06/2019



	Unit			Shipping				
	Width	Height	Depth	Width	Height	Depth	Weight	Volume
English	8.0 in.	12.5 in.	10.5 in.	14.0 in.	16.0 in.	10.5 in.	10.350 lbs	1.361 ft ³
Metric	20.3 cm	31.8 cm	26.7 cm	35.6 cm	40.6 cm	26.7 cm	4.695 kgs	0.039 m ³



BUNN® reserves the right to change specifications and product design without notice. Such revisions do not entitle the buyer to corresponding changes, improvements, additions or replacements for previously purchased equipment. For most current specifications and other info visit bunn.com.

Created on:
02/06/2019

Related Products & Accessories:MCP(35400.0003)



MERCHANDISER, STD
HEADER-POD

Product #: 39501.0001



RACK ASSY W/U-
CHANNEL POD

Product #: 39502.0001



BUNN® reserves the right to change specifications and product design without notice. Such revisions do not entitle the buyer to corresponding changes, improvements, additions or replacements for previously purchased equipment. For most current specifications and other info visit bunn.com.

Created on:
02/06/2019

Serving & Holding Options: MCP(35400.0003)

Serving and Holding selections are currently unavailable. Please contact your sales representative to find out more information.



BUNN® reserves the right to change specifications and product design without notice. Such revisions do not entitle the buyer to corresponding changes, improvements, additions or replacements for previously purchased equipment. For most current specifications and other info visit bunn.com.

Created on:
02/06/2019