

H5X Element SST

28.5" x 18.9" x 7.4"
(72.4cm x 48.0cm x 18.8cm)



- LED display provides simple temperature adjustment
- Thinsulate® tank insulation provides increased energy efficiency
- Programmable “Energy Saver Mode” reduces operating cost during idle periods
- The perfect tool for added control over quality coffee and tea
- Contemporary, space-saving design
- Digital thermostat provides constant and accurate temperatures of 60°- 212°F (15.6°-100°C)

Agency:



Specifications

Product #: 43600.0002

Dispense: Pull & Hold

Water Access: Plumbed

Finish: Stainless

Faucet: Upper

Temp. Setting: 212°F (100.000°C)

Additional Features

Electrical & Capacity

Volts	Amps	Watts	Cord Attached	Plug Type	8oz cups/hr 236ml cups/hr	Input H ² O Temp.	Phase	# Wires plus Ground	Hertz
208	19.5	4050	No	-	-	60°F (15.5°C)	1	2	60

Plumbing Requirements

PSI	kPa	Fitting Supplied	Water Flow Required (GPM)
20-90	138-621	1/4" Male Flare Fitting	-

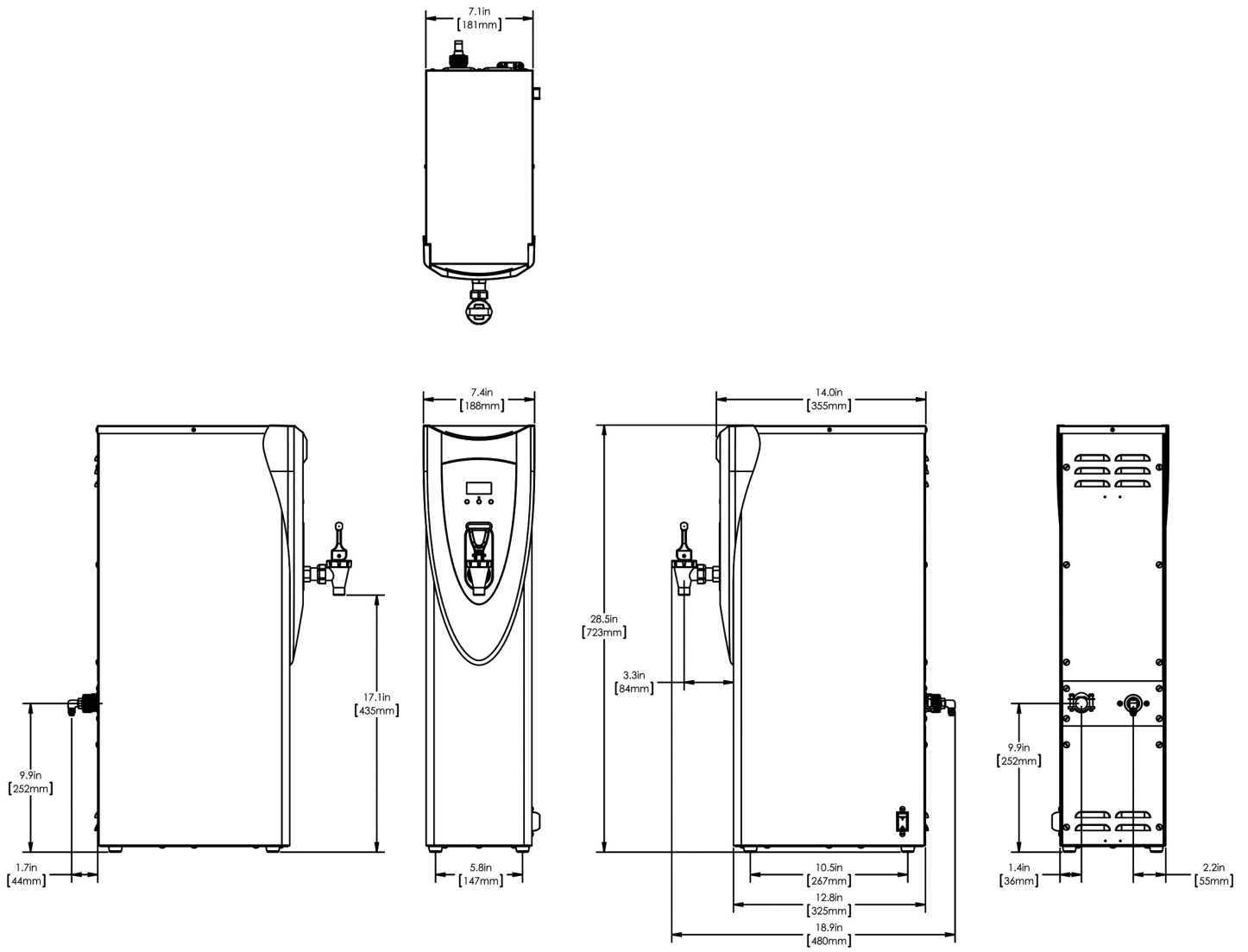
CAD Drawings

2D	Revit	KLC
●		



BUNN® reserves the right to change specifications and product design without notice. Such revisions do not entitle the buyer to corresponding changes, improvements, additions or replacements for previously purchased equipment. For most current specifications and other info visit bunn.com.

Created on:
02/06/2019



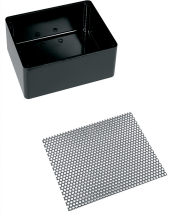
	Unit			Shipping				
	Width	Height	Depth	Width	Height	Depth	Weight	Volume
English	7.4 in.	28.5 in.	18.9 in.	10.3 in.	31.1 in.	19.8 in.	32.500 lbs	3.670 ft ³
Metric	18.8 cm	72.4 cm	48.0 cm	26.2 cm	79.0 cm	50.3 cm	14.742 kgs	0.104 m ³



BUNN® reserves the right to change specifications and product design without notice. Such revisions do not entitle the buyer to corresponding changes, improvements, additions or replacements for previously purchased equipment. For most current specifications and other info visit bunn.com.

Created on:
02/06/2019

Related Products & Accessories:H5X Element SST(43600.0002)



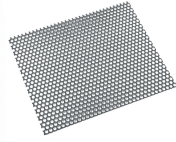
DRIP TRAY KIT (2.5"HT-
HW2)

Product #: 02497.0000



DRIP TRAY

Product #: 02545.0000



COVER, DRIP TRAY-
PERFORATED

Product #: 02546.0000

FOOT, RUBBER

Product #: 02547.0000



WATER FILTER,
EQHP-10L

Product #: 39000.0001



WATER FILTER,
EQHP-10

Product #: 39000.0004



BUNN® reserves the right to change specifications and product design without notice. Such revisions do not entitle the buyer to corresponding changes, improvements, additions or replacements for previously purchased equipment. For most current specifications and other info visit bunn.com.

Created on:
02/06/2019

Serving & Holding Options: H5X Element SST(43600.0002)

Serving and Holding selections are currently unavailable. Please contact your sales representative to find out more information.



BUNN® reserves the right to change specifications and product design without notice. Such revisions do not entitle the buyer to corresponding changes, improvements, additions or replacements for previously purchased equipment. For most current specifications and other info visit bunn.com.

Created on:
02/06/2019

H5X Element SST

28.5" x 18.9" x 7.4"
(72.4cm x 48.0cm x 18.8cm)



- LED display provides simple temperature adjustment
- Thinsulate® tank insulation provides increased energy efficiency
- Programmable "Energy Saver Mode" reduces operating cost during idle periods
- The perfect tool for added control over quality coffee and tea
- Contemporary, space-saving design
- Digital thermostat provides constant and accurate temperatures of 60°- 212°F (15.6°-100°C)

Agency:



Specifications

Product #: 43600.0026

Dispense: Pull & Hold

Water Access: Plumbed

Finish: Stainless

Faucet: Upper

Temp. Setting: 212°F (100.000°C)

Additional Features

Electrical & Capacity

Volts	Amps	Watts	Cord Attached	Plug Type	8oz cups/hr 236ml cups/hr	Input H ² O Temp.	Phase	# Wires plus Ground	Hertz
120	15.4	1850	No	-	-	60°F (15.5°C)	1	2	60

Plumbing Requirements

PSI	kPa	Fitting Supplied	Water Flow Required (GPM)
20-90	138-621	1/4" Male Flare Fitting	-

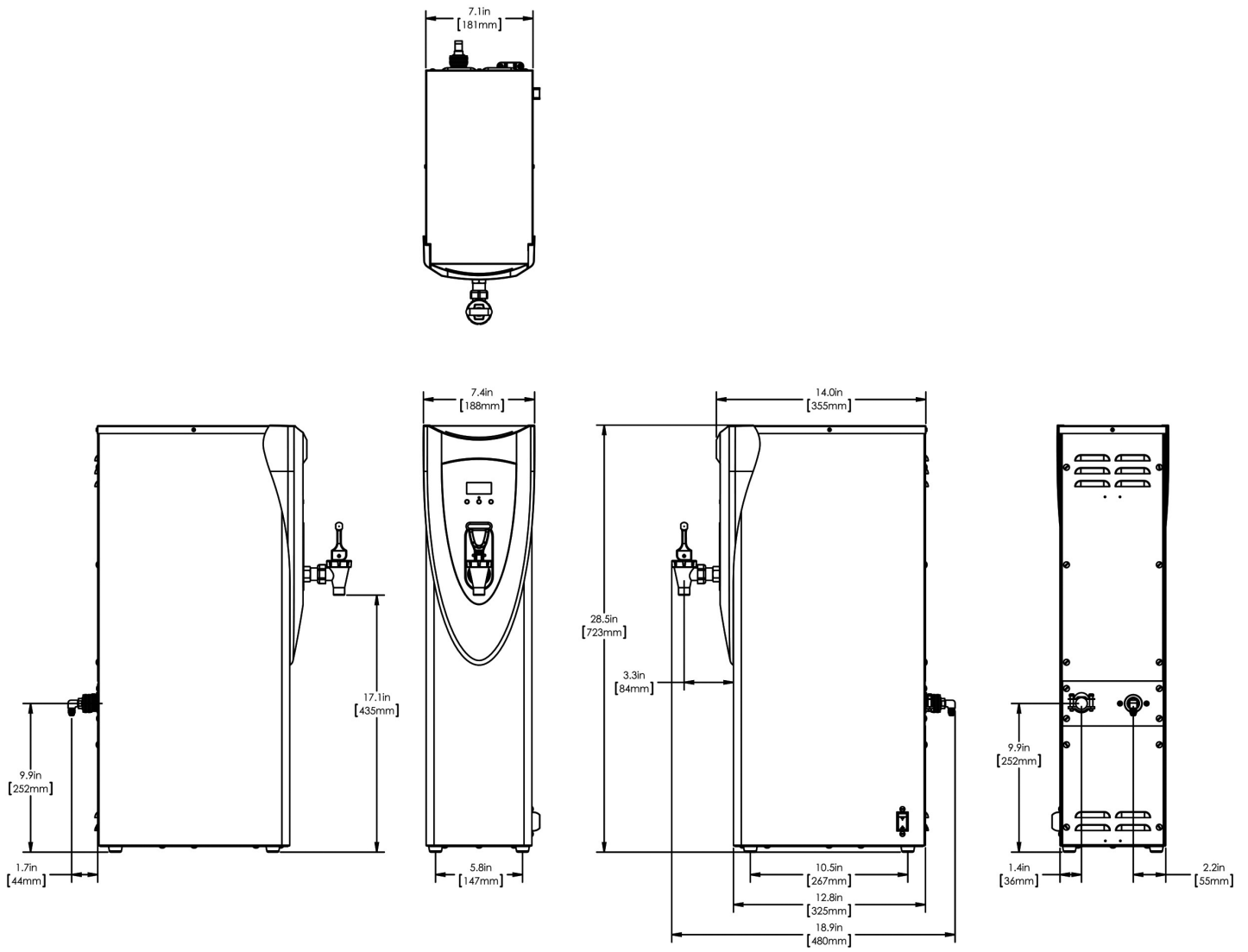
CAD Drawings

2D	Revit	KLC
●		



BUNN® reserves the right to change specifications and product design without notice. Such revisions do not entitle the buyer to corresponding changes, improvements, additions or replacements for previously purchased equipment. For most current specifications and other info visit bunn.com.

Created on:
02/26/2019



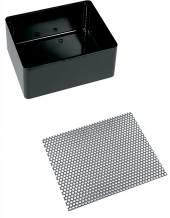
	Unit			Shipping				
	Width	Height	Depth	Width	Height	Depth	Weight	Volume
English	7.4 in.	28.5 in.	18.9 in.	10.3 in.	31.1 in.	19.8 in.	32.500 lbs	3.670 ft ³
Metric	18.8 cm	72.4 cm	48.0 cm	26.2 cm	79.0 cm	50.3 cm	14.742 kgs	0.104 m ³



BUNN® reserves the right to change specifications and product design without notice. Such revisions do not entitle the buyer to corresponding changes, improvements, additions or replacements for previously purchased equipment. For most current specifications and other info visit bunn.com.

Created on:
02/26/2019

Related Products & Accessories:H5X Element SST(43600.0026)



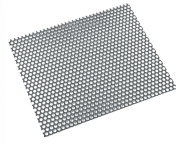
DRIP TRAY KIT (2.5"HT-HW2)

Product #: 02497.0000



DRIP TRAY

Product #: 02545.0000



COVER, DRIP TRAY-PERFORATED

Product #: 02546.0000

FOOT, RUBBER

Product #: 02547.0000



WATER FILTER, EQHP-10L

Product #: 39000.0001



WATER FILTER, EQHP-10

Product #: 39000.0004



BUNN® reserves the right to change specifications and product design without notice. Such revisions do not entitle the buyer to corresponding changes, improvements, additions or replacements for previously purchased equipment. For most current specifications and other info visit bunn.com.

Created on:
02/26/2019

Serving & Holding Options: H5X Element SST(43600.0026)

Serving and Holding selections are currently unavailable. Please contact your sales representative to find out more information.



BUNN® reserves the right to change specifications and product design without notice. Such revisions do not entitle the buyer to corresponding changes, improvements, additions or replacements for previously purchased equipment. For most current specifications and other info visit bunn.com.

Created on:
02/26/2019

H5X Element SST

28.5" x 18.9" x 7.4"
(72.4cm x 48.0cm x 18.8cm)



- LED display provides simple temperature adjustment
- Thinsulate® tank insulation provides increased energy efficiency
- Programmable “Energy Saver Mode” reduces operating cost during idle periods
- The perfect tool for added control over quality coffee and tea
- Contemporary, space-saving design
- Digital thermostat provides constant and accurate temperatures of 60°- 212°F (15.6°-100°C)

Agency:



Specifications

Product #: 43600.0003

Dispense: Pull & Hold

Water Access: Plumbed

Finish: Stainless

Faucet: Upper

Temp. Setting: 212°F (100.000°C)

Additional Features

Electrical & Capacity

Volts	Amps	Watts	Cord Attached	Plug Type	8oz cups/hr 236ml cups/hr	Input H ² O Temp.	Phase	# Wires plus Ground	Hertz
240	16.9	4050	No	-	-	60°F (15.5°C)	1	2	60

Plumbing Requirements

PSI	kPa	Fitting Supplied	Water Flow Required (GPM)
20-90	138-621	1/4" Male Flare Fitting	-

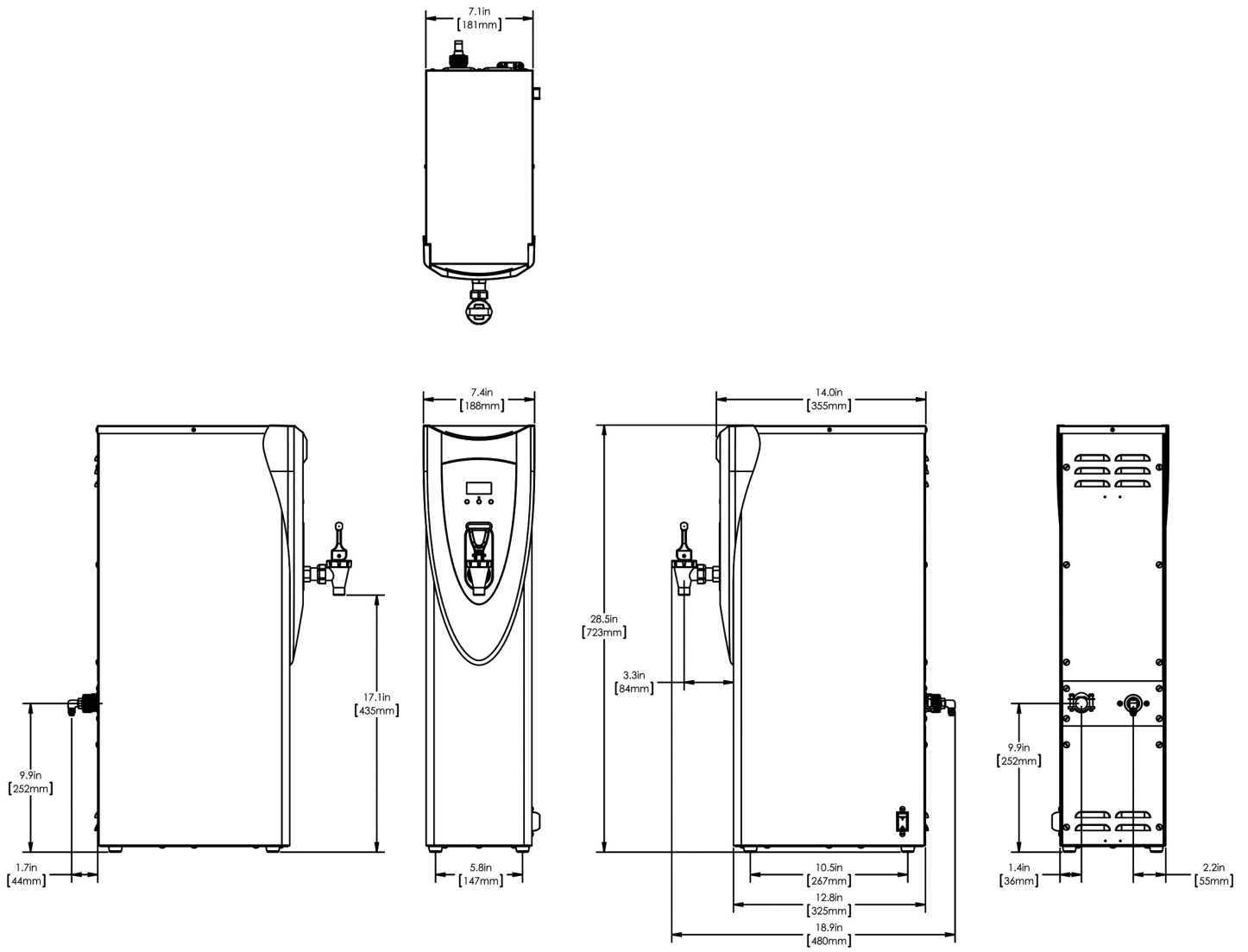
CAD Drawings

2D	Revit	KLC
●		



BUNN® reserves the right to change specifications and product design without notice. Such revisions do not entitle the buyer to corresponding changes, improvements, additions or replacements for previously purchased equipment. For most current specifications and other info visit bunn.com.

Created on:
03/14/2019



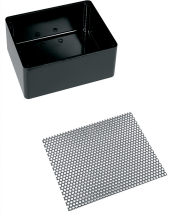
	Unit			Shipping				
	Width	Height	Depth	Width	Height	Depth	Weight	Volume
English	7.4 in.	28.5 in.	18.9 in.	10.3 in.	31.1 in.	19.8 in.	32.000 lbs	3.670 ft ³
Metric	18.8 cm	72.4 cm	48.0 cm	26.2 cm	79.0 cm	50.3 cm	14.515 kgs	0.104 m ³



BUNN® reserves the right to change specifications and product design without notice. Such revisions do not entitle the buyer to corresponding changes, improvements, additions or replacements for previously purchased equipment. For most current specifications and other info visit bunn.com.

Created on:
03/14/2019

Related Products & Accessories:H5X Element SST(43600.0003)



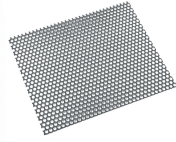
DRIP TRAY KIT (2.5"HT-HW2)

Product #: 02497.0000



DRIP TRAY

Product #: 02545.0000



COVER, DRIP TRAY-PERFORATED

Product #: 02546.0000

FOOT, RUBBER

Product #: 02547.0000



WATER FILTER, EQHP-10L

Product #: 39000.0001



WATER FILTER, EQHP-10

Product #: 39000.0004



BUNN® reserves the right to change specifications and product design without notice. Such revisions do not entitle the buyer to corresponding changes, improvements, additions or replacements for previously purchased equipment. For most current specifications and other info visit bunn.com.

Created on:
03/14/2019

Serving & Holding Options: H5X Element SST(43600.0003)

Serving and Holding selections are currently unavailable. Please contact your sales representative to find out more information.



BUNN® reserves the right to change specifications and product design without notice. Such revisions do not entitle the buyer to corresponding changes, improvements, additions or replacements for previously purchased equipment. For most current specifications and other info visit bunn.com.

Created on:
03/14/2019