

# H3X ELEMENT SST 208V

22.3" x 20.5" x 7.5"  
(56.6cm x 52.1cm x 19.1cm)



- Digital thermostat provides consistent and precise temperatures from 60° - 212°F (15.6°-100°C)
- Contemporary, low-profile design for front-of-house and self-service settings
- Push and Hold dispense -with one programmable Portion Control setting for a volume of up to 2 gallons (7.57 liters)
- LED display provides simple temperature adjustment
- Thinsulate® tank insulation provides increased energy efficiency
- Programmable "Energy Saver Mode" reduces operating costs during idle periods
- 7.75in (196mm) cup clearance accommodates a range of serving options for custom-crafted, hand pour coffees and teas

Agency:



## Specifications

**Product #:** 45300.0007

**Dispense:** Push Button

**Water Access:** Plumbed

**Finish:** Stainless

**Temp. Setting:** 212°F (100.000°C)

**Dispense:** Portion Control

## Additional Features

Hot Water Button

## Electrical & Capacity

Volts	Amps	Watts	Cord Attached	Plug Type	8oz cups/hr 236ml cups/hr	Input H <sup>2</sup> O Temp.	Phase	# Wires plus Ground	Hertz
208	15.4	3200	No	-	-	60°F (15.5°C)	1	2	60

## Plumbing Requirements

PSI	kPa	Fitting Supplied	Water Flow Required (GPM)
20-90	138-621	1/4" Male Flare Fitting	-

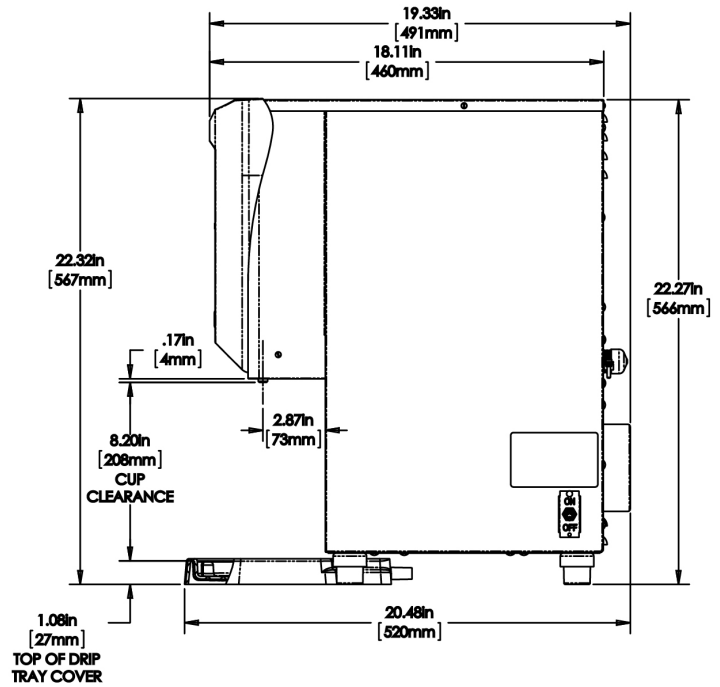
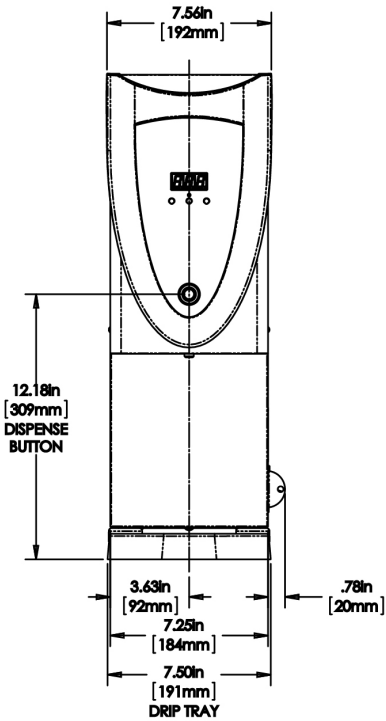
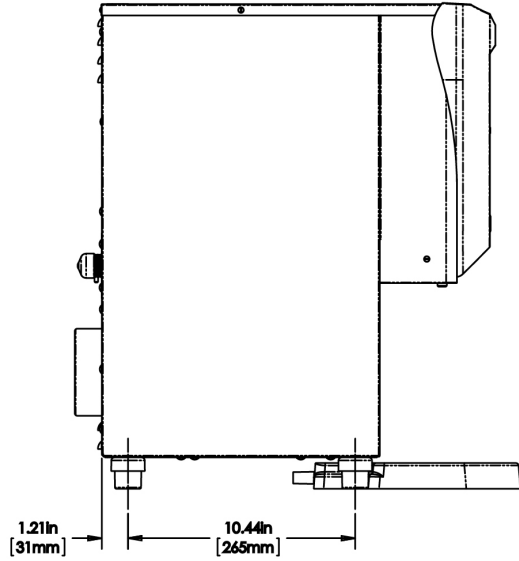
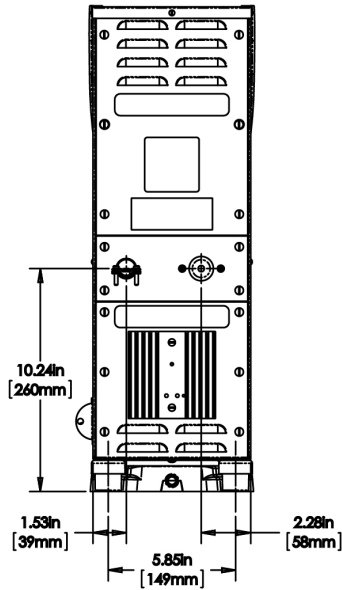
## CAD Drawings

2D	Revit	KLC
●		



BUNN® reserves the right to change specifications and product design without notice. Such revisions do not entitle the buyer to corresponding changes, improvements, additions or replacements for previously purchased equipment. For most current specifications and other info visit [bunn.com](http://bunn.com).

Created on:  
02/06/2019



	Unit			Shipping				
	Width	Height	Depth	Width	Height	Depth	Weight	Volume
English	7.5 in.	22.3 in.	20.5 in.	10.6 in.	32.3 in.	21.9 in.	23.810 lbs	4.398 ft <sup>3</sup>
Metric	19.1 cm	56.6 cm	52.1 cm	26.9 cm	82.0 cm	55.6 cm	10.800 kgs	0.125 m <sup>3</sup>



BUNN® reserves the right to change specifications and product design without notice. Such revisions do not entitle the buyer to corresponding changes, improvements, additions or replacements for previously purchased equipment. For most current specifications and other info visit [bunn.com](http://bunn.com).

Created on:  
02/06/2019

Related Products & Accessories:H3X ELEMENT SST 208V(45300.0007)

TRAY, DRIP H3E  
ELEMENT

Product #: 48885.0001



KIT, UTILITY COVER-  
REAR H3X ELEMENT

Product #: 53498.1000



BUNN® reserves the right to change specifications and product design without notice. Such revisions do not entitle the buyer to corresponding changes, improvements, additions or replacements for previously purchased equipment. For most current specifications and other info visit [bunn.com](http://bunn.com).

Created on:  
02/06/2019

# Serving & Holding Options: H3X ELEMENT SST 208V(45300.0007)

\*Serving and Holding selections are currently unavailable. Please contact your sales representative to find out more information.\*



BUNN® reserves the right to change specifications and product design without notice. Such revisions do not entitle the buyer to corresponding changes, improvements, additions or replacements for previously purchased equipment. For most current specifications and other info visit [bunn.com](http://bunn.com).

Created on:  
02/06/2019

# H3X ELEMENT SST 120V 1340W

22.3" x 20.5" x 7.5"  
(56.6cm x 52.1cm x 19.1cm)



- Digital thermostat provides consistent and precise temperatures from 60° - 212°F (15.6°-100°C)
- Contemporary, low-profile design for front-of-house and self-service settings
- Push and Hold dispense -with one programmable Portion Control setting for a volume of up to 2 gallons (7.57 liters)
- LED display provides simple temperature adjustment
- Thinsulate® tank insulation provides increased energy efficiency
- Programmable "Energy Saver Mode" reduces operating costs during idle periods
- 7.75in (196mm) cup clearance accommodates a range of serving options for custom-crafted, hand pour coffees and teas

Agency:



## Specifications

**Product #:** 45300.0008

**Water Access:** Plumbed

**Finish:** Stainless

**Temp. Setting:** 212°F (100.000°C)

## Additional Features

## Electrical & Capacity

Volts	Amps	Watts	Cord Attached	Plug Type	8oz cups/hr 236ml cups/hr	Input H <sup>2</sup> O Temp.	Phase	# Wires plus Ground	Hertz
120	11.2	1340	Yes	NEMA 5-15P	-	60°F (15.5°C)	1	2	60

## Plumbing Requirements

PSI	kPa	Fitting Supplied	Water Flow Required (GPM)
20-90	138-621	1/4" Male Flare Fitting	-

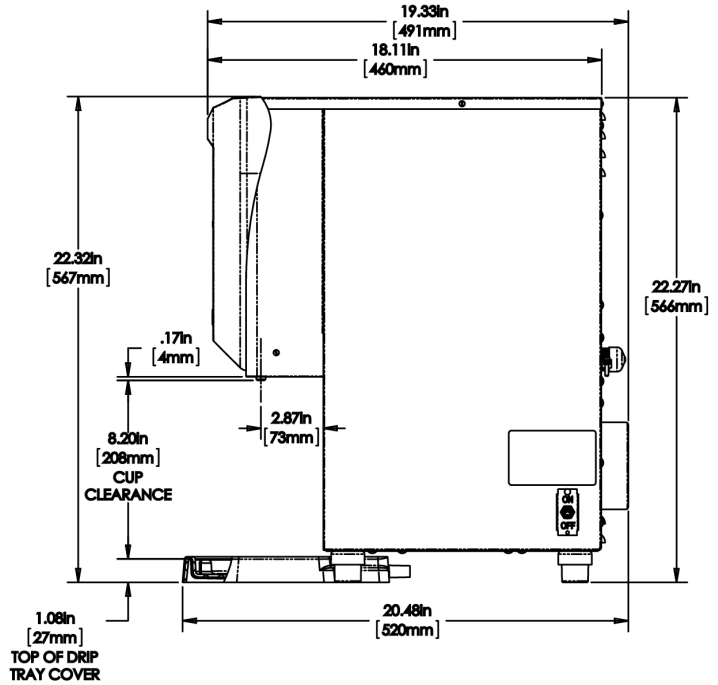
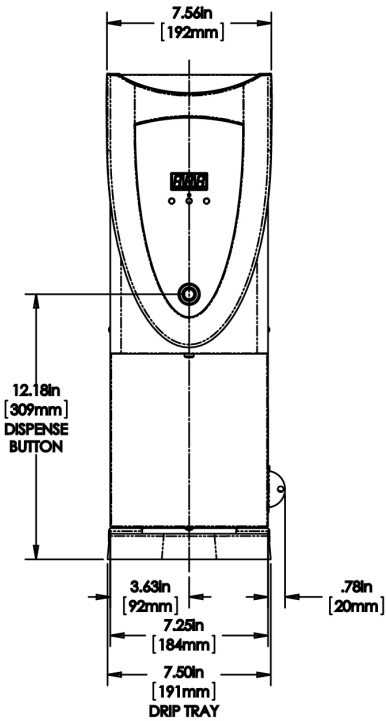
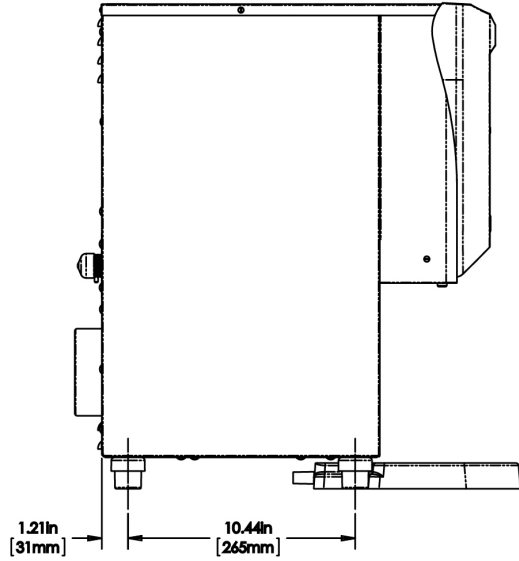
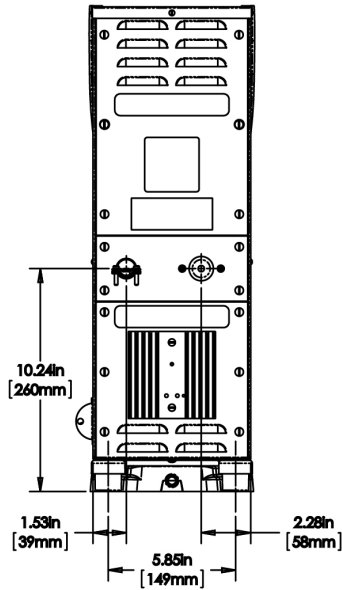
## CAD Drawings

2D	Revit	KLC
●		



BUNN® reserves the right to change specifications and product design without notice. Such revisions do not entitle the buyer to corresponding changes, improvements, additions or replacements for previously purchased equipment. For most current specifications and other info visit [bunn.com](http://bunn.com).

Created on:  
02/05/2019



	Unit			Shipping				
	Width	Height	Depth	Width	Height	Depth	Weight	Volume
English	7.5 in.	22.3 in.	20.5 in.	10.6 in.	32.3 in.	21.9 in.	23.810 lbs	4.398 ft <sup>3</sup>
Metric	19.1 cm	56.6 cm	52.1 cm	26.9 cm	82.0 cm	55.6 cm	10.800 kgs	0.125 m <sup>3</sup>



BUNN® reserves the right to change specifications and product design without notice. Such revisions do not entitle the buyer to corresponding changes, improvements, additions or replacements for previously purchased equipment. For most current specifications and other info visit [bunn.com](http://bunn.com).

Created on:  
02/05/2019

## Related Products & Accessories:H3X ELEMENT SST 120V 1340W(45300.0008)

TRAY, DRIP H3E  
ELEMENT

Product #: 48885.0001



KIT, UTILITY COVER-  
REAR H3X ELEMENT

Product #: 53498.1000



BUNN® reserves the right to change specifications and product design without notice. Such revisions do not entitle the buyer to corresponding changes, improvements, additions or replacements for previously purchased equipment. For most current specifications and other info visit [bunn.com](http://bunn.com).

Created on:  
02/05/2019

# Serving & Holding Options: H3X ELEMENT SST 120V 1340W(45300.0008)

\*Serving and Holding selections are currently unavailable. Please contact your sales representative to find out more information.\*



BUNN® reserves the right to change specifications and product design without notice. Such revisions do not entitle the buyer to corresponding changes, improvements, additions or replacements for previously purchased equipment. For most current specifications and other info visit [bunn.com](http://bunn.com).

Created on:  
02/05/2019