

ICB Twin SH, Stainless

32.9" x 23.4" x 21.9"
(83.6cm x 59.4cm x 55.6cm)



- Sleek modernized design language, with rounded angles on the corners and trunk
- Digital readout displays in English, Spanish, or French ---for easier programming and control--- and can show either 'Standard' or Metric measurements. Digital readout also shows machine status, and targeted advertising messages can be programmed for display.
- BUNN Infusion Series technology allows for multiple recipes from one footprint --- with six brew buttons and three batch sizes
- Energy-saver mode reduces tank temperature during idle periods
- Exclusive Peak Extraction™ Sprayhead is multi-directional with a 17-hole design to ensure ultimate uniformity of extraction
- Electronic funnel lock prevents removal of each brew funnel until drip- through is complete
- USB programming capable
- Brew counter keeps track of how many batches are brewed
- Pre-infusion and pulse brew for maximum flavor extraction. Cold brew lockout & digital temperature control further ensure top-notch brewing.
- New Soft Heat® servers [sold separately] are ergonomic, lighter weight, energy efficient and now offer programmable recipe/batch based holding times and temperatures, alerting staff when freshness has expired or server is empty

Agency:



Specifications

Product #: 51200.0100

Water Access: Plumbed

Interface: Wireless

Finish: Stainless

Funnel: Black Plastic

Faucet: Side

Legs: 4" Stainless Steel Legs

Additional Features

Electrical & Capacity

Volts	Amps	Watts	Cord Attached	Plug Type	8oz cups/hr 236ml cups/hr	Input H ₂ O Temp.	Phase	# Wires plus Ground	Hertz
120/240	25	6000	Yes/	-	280	60°F (15.5°C)	1	3	60

Plumbing Requirements

PSI	kPa	Fitting Supplied	Water Flow Required (GPM)
20-90	138-621	3/8" Male Flare Fitting	1.00

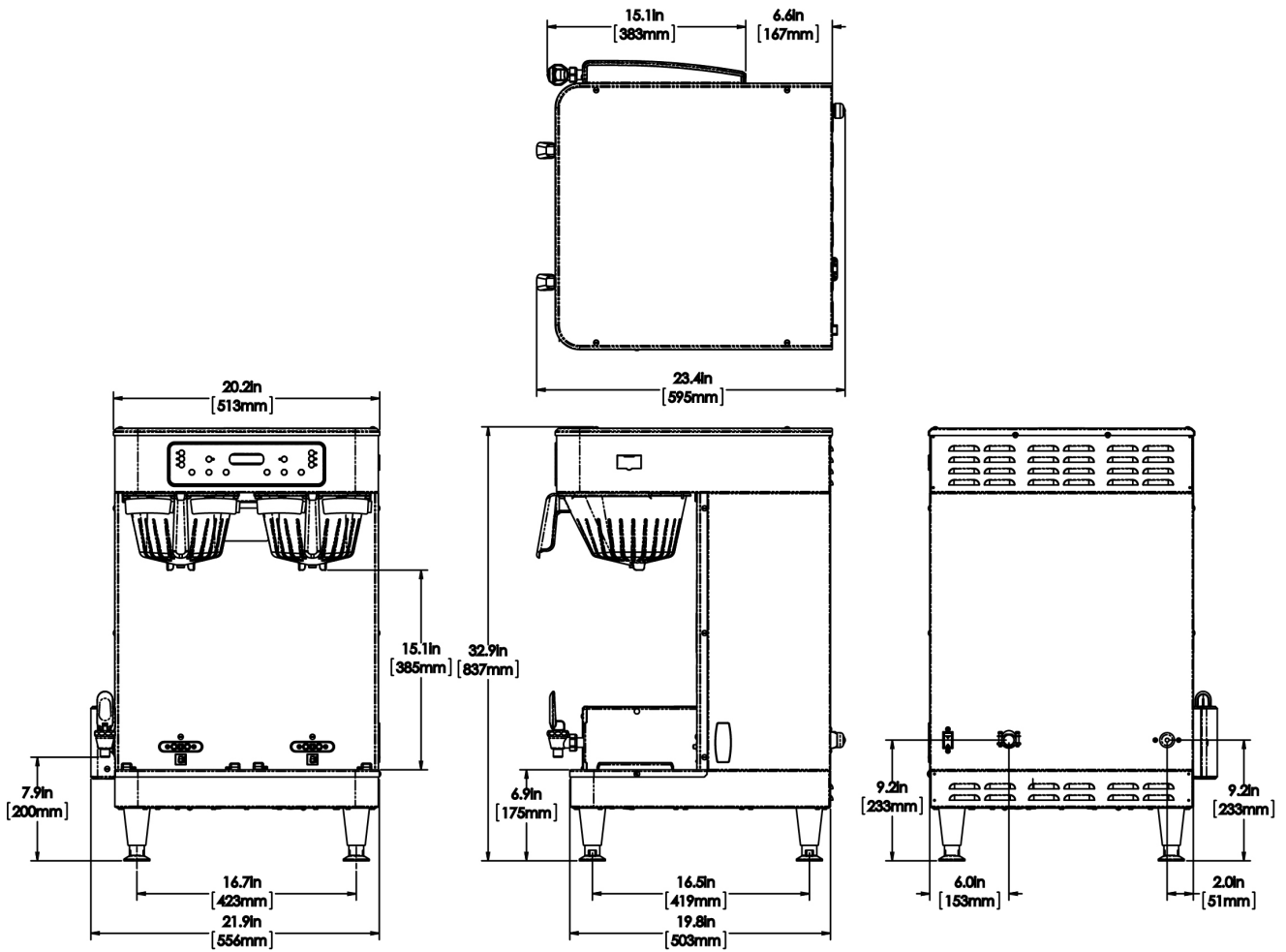
CAD Drawings

2D	Revit	KLC
●		



BUNN® reserves the right to change specifications and product design without notice. Such revisions do not entitle the buyer to corresponding changes, improvements, additions or replacements for previously purchased equipment. For most current specifications and other info visit bunn.com.

Created on:
02/06/2019



Unit			Shipping					
	Width	Height	Depth	Width	Height	Depth	Weight	Volume
English	21.9 in.	32.9 in.	23.4 in.	25.9 in.	37.1 in.	28.1 in.	78.400 lbs	1.510 ft ³
Metric	55.6 cm	83.6 cm	59.4 cm	65.8 cm	94.2 cm	71.4 cm	35.562 kgs	0.043 m ³



BUNN® reserves the right to change specifications and product design without notice. Such revisions do not entitle the buyer to corresponding changes, improvements, additions or replacements for previously purchased equipment. For most current specifications and other info visit bunn.com.

Created on:
02/06/2019

Related Products & Accessories: ICB Twin SH, Stainless(51200.0100)



FILTERS, GOURMET 500
500/1 50/CL

Product #: 20138.1000



1SH STAND, 120V INF
SERIES

Product #: 27825.0200



2SH STAND, 120V INF
SERIES

Product #: 27875.0200



WATER FILTER,
EQHP-10L

Product #: 39000.0001



WATER FILTER,
EQHP-10

Product #: 39000.0004



KIT, DRIP TRAY INF
TWIN SH

Product #: 53452.0000



KIT, DRIP TRAY SINGLE
SH

Product #: 53452.0001

Serving & Holding Options: ICB Twin SH, Stainless(51200.0100)



SH SERVER, 1.5/5.7L INF
SERIES

Product #:27850.0200



BUNN® reserves the right to change specifications and product design without notice. Such revisions do not entitle the buyer to corresponding changes, improvements, additions or replacements for previously purchased equipment. For most current specifications and other info visit bunn.com.

Created on:
02/06/2019

ICB Twin SH, Black and Stainless

32.9" x 23.4" x 21.9"
(83.6cm x 59.4cm x 55.6cm)



- Sleek modernized design language, with rounded angles on the corners and trunk
- Contrasting stainless steel and black colors create a distinctive, refined look
- Digital readout displays in English, Spanish, or French ---for easier programming and control--- and can show either 'Standard' or Metric measurements. Digital readout also shows machine status, and targeted advertising messages can be programmed for display.
- BUNN Infusion Series technology allows for multiple recipes from one footprint --- with six brew buttons and three batch sizes
- Energy-saver mode reduces tank temperature during idle periods
- Exclusive Peak Extraction™ Sprayhead is multi-directional with a 17-hole design to ensure ultimate uniformity of extraction
- Electronic funnel lock prevents removal of each brew funnel until drip- through is complete
- USB programming capable
- Brew counter keeps track of how many batches are brewed
- Pre-infusion and pulse brew for maximum flavor extraction. Cold brew lockout & digital temperature control further ensure top-notch brewing.
- New Soft Heat® servers [sold separately] are ergonomic, lighter weight, energy efficient and now offer programmable recipe/batch based holding times and temperatures, alerting staff when freshness has expired or server is empty

Agency:



Specifications

Product #: 51200.0101

Water Access: Plumbed

Interface: Wireless

Finish: Stainless/Black

Funnel: Black Plastic

Faucet: Side

Legs: 4" Stainless Steel Legs

Additional Features

Electrical & Capacity

Volts	Amps	Watts	Cord Attached	Plug Type	8oz cups/hr 236ml cups/hr	Input H ² O Temp.	Phase	# Wires plus Ground	Hertz
120/240	25	6000	Yes/	-	280	60°F (15.5°C)	1	3	60

Plumbing Requirements

PSI	kPa	Fitting Supplied	Water Flow Required (GPM)
20-90	138-621	3/8" Male Flare Fitting	1.00

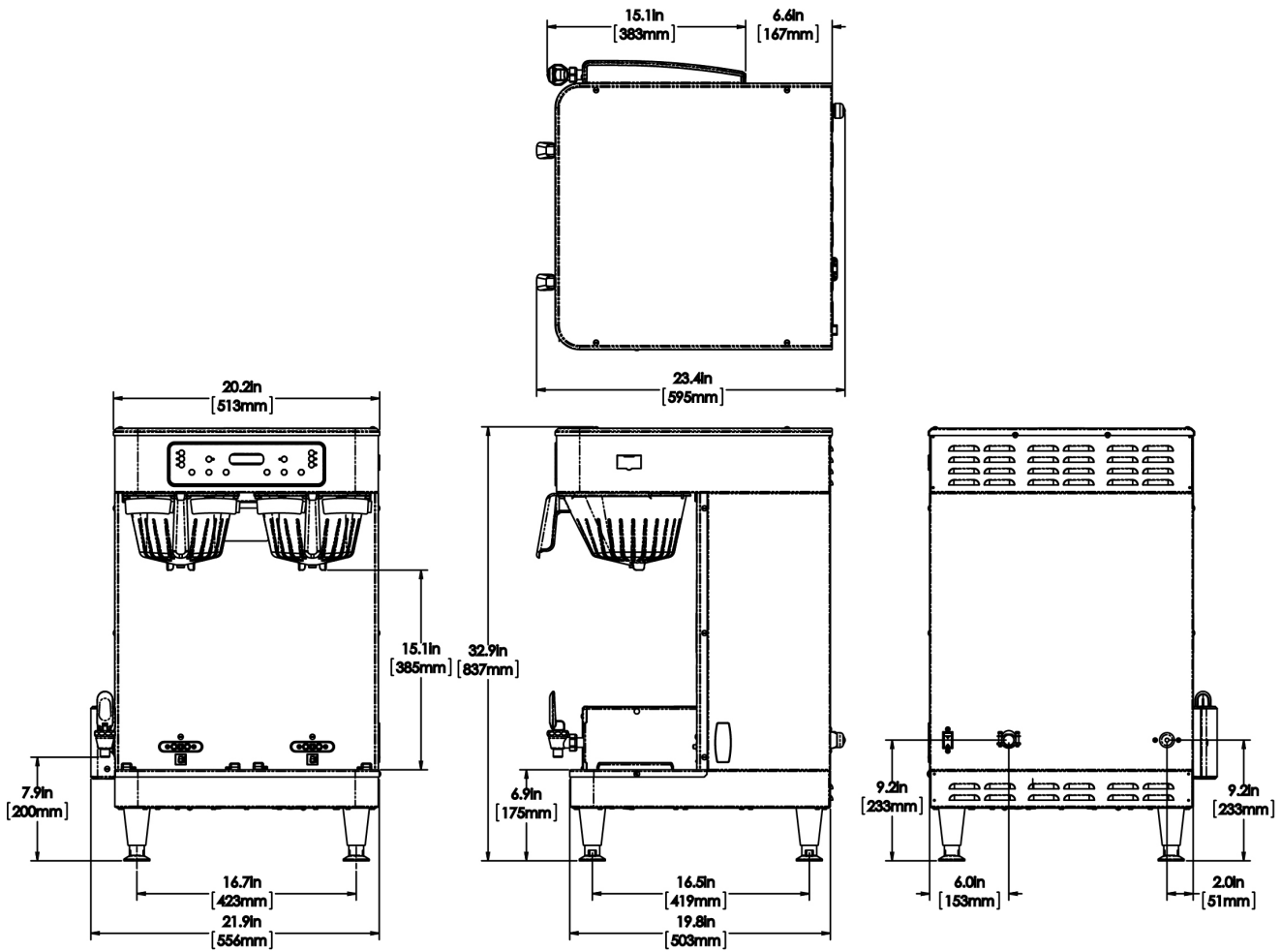
CAD Drawings

2D	Revit	KLC
●		



BUNN® reserves the right to change specifications and product design without notice. Such revisions do not entitle the buyer to corresponding changes, improvements, additions or replacements for previously purchased equipment. For most current specifications and other info visit bunn.com.

Created on:
02/06/2019



Unit			Shipping					
	Width	Height	Depth	Width	Height	Depth	Weight	Volume
English	21.9 in.	32.9 in.	23.4 in.	25.9 in.	37.1 in.	28.1 in.	78.400 lbs	15.626 ft³
Metric	55.6 cm	83.6 cm	59.4 cm	65.8 cm	94.2 cm	71.4 cm	35.562 kgs	0.442 m³



BUNN® reserves the right to change specifications and product design without notice. Such revisions do not entitle the buyer to corresponding changes, improvements, additions or replacements for previously purchased equipment. For most current specifications and other info visit bunn.com.

Created on:
02/06/2019

Related Products & Accessories: ICB Twin SH, Black and Stainless(51200.0101)



FILTERS, GOURMET 500
500/1 50/CL

Product #: 20138.1000



1SH STAND, 120V INF
SERIES

Product #: 27825.0200



SH SERVER, 1.5/5.7L INF
SERIES

Product #: 27850.0200



2SH STAND, 120V INF
SERIES

Product #: 27875.0200



WATER FILTER,
EQHP-10L

Product #: 39000.0001



WATER FILTER,
EQHP-10

Product #: 39000.0004



KIT, DRIP TRAY INF
TWIN SH

Product #: 53452.0000



KIT, DRIP TRAY SINGLE
SH

Product #: 53452.0001



BUNN® reserves the right to change specifications and product design without notice. Such revisions do not entitle the buyer to corresponding changes, improvements, additions or replacements for previously purchased equipment. For most current specifications and other info visit bunn.com.

Created on:
02/06/2019

Serving & Holding Options: ICB Twin SH, Black and Stainless(51200.0101)



SH SERVER, 1.5/5.7L INF
SERIES

Product #:27850.0200



BUNN® reserves the right to change specifications and product design without notice. Such revisions do not entitle the buyer to corresponding changes, improvements, additions or replacements for previously purchased equipment. For most current specifications and other info visit bunn.com.

Created on:
02/06/2019

ICB Twin SH, Stainless

32.9" x 23.4" x 22.0"
(83.6cm x 59.4cm x 55.9cm)



- Sleek modernized design language, with rounded angles on the corners and trunk
- Digital readout displays in English, Spanish, or French ---for easier programming and control--- and can show either 'Standard' or Metric measurements. Digital readout also shows machine status, and targeted advertising messages can be programmed for display.
- BUNN Infusion Series technology allows for multiple recipes from one footprint --- with six brew buttons and three batch sizes
- Energy-saver mode reduces tank temperature during idle periods
- Exclusive Peak Extraction™ Sprayhead is multi-directional with a 17-hole design to ensure ultimate uniformity of extraction
- Electronic funnel lock prevents removal of each brew funnel until drip- through is complete
- USB programming capable
- Brew counter keeps track of how many batches are brewed
- Pre-infusion and pulse brew for maximum flavor extraction. Cold brew lockout & digital temperature control further ensure top-notch brewing.
- New Soft Heat® servers [sold separately] are ergonomic, lighter weight, energy efficient and now offer programmable recipe/batch based holding times and temperatures, alerting staff when freshness has expired or server is empty

Agency:



Specifications

Product #: 51200.0102

Water Access: Plumbed

Interface: Wireless

Finish: Stainless

Funnel: Black Plastic

Faucet: Side

Legs: 4" Stainless Steel Legs

Additional Features

Electrical & Capacity

Volts	Amps	Watts	Cord Attached	Plug Type	8oz cups/hr 236ml cups/hr	Input H ₂ O Temp.	Phase	# Wires plus Ground	Hertz
120/208	28	6000	Yes/	-	280	60°F (15.5°C)	1	3	60

Plumbing Requirements

PSI	kPa	Fitting Supplied	Water Flow Required (GPM)
20-90	138-621	3/8" Male Flare Fitting	1.00

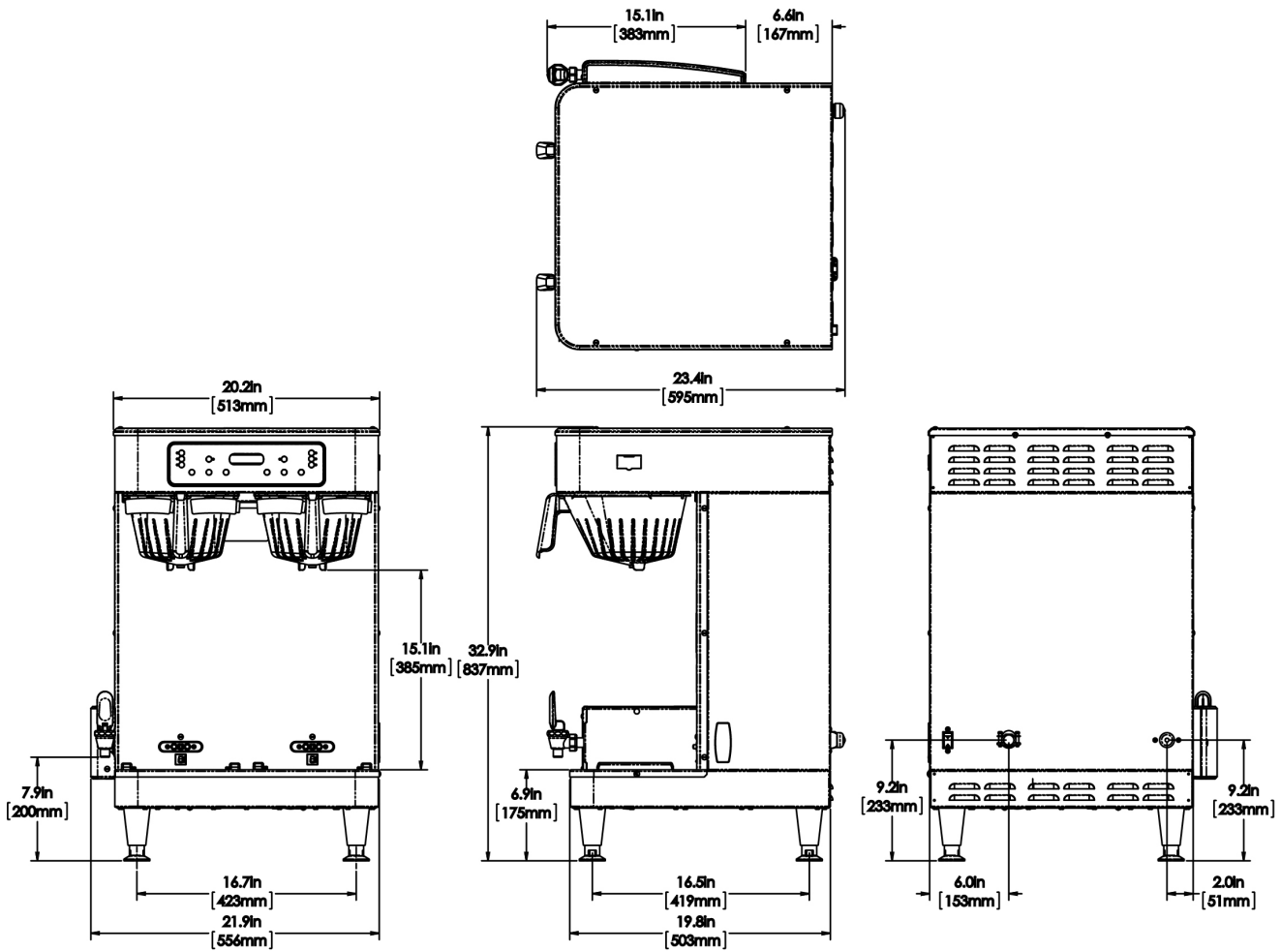
CAD Drawings

2D	Revit	KLC
●		



BUNN® reserves the right to change specifications and product design without notice. Such revisions do not entitle the buyer to corresponding changes, improvements, additions or replacements for previously purchased equipment. For most current specifications and other info visit bunn.com.

Created on:
02/06/2019



Unit			Shipping					
	Width	Height	Depth	Width	Height	Depth	Weight	Volume
English	22.0 in.	32.9 in.	23.4 in.	25.9 in.	37.1 in.	28.1 in.	78.400 lbs	1.510 ft ³
Metric	55.9 cm	83.6 cm	59.4 cm	65.8 cm	94.2 cm	71.4 cm	35.562 kgs	0.043 m ³



BUNN® reserves the right to change specifications and product design without notice. Such revisions do not entitle the buyer to corresponding changes, improvements, additions or replacements for previously purchased equipment. For most current specifications and other info visit bunn.com.

Created on:
02/06/2019

Related Products & Accessories: ICB Twin SH, Stainless(51200.0102)



FILTERS, GOURMET 500
500/1 50/CL

Product #: 20138.1000



1SH STAND, 120V INF
SERIES

Product #: 27825.0200



2SH STAND, 120V INF
SERIES

Product #: 27875.0200



WATER FILTER,
EQHP-10L

Product #: 39000.0001



WATER FILTER,
EQHP-10

Product #: 39000.0004



KIT, DRIP TRAY INF
TWIN SH

Product #: 53452.0000



KIT, DRIP TRAY SINGLE
SH

Product #: 53452.0001

Serving & Holding Options: ICB Twin SH, Stainless(51200.0102)



SH SERVER, 1.5/5.7L INF
SERIES

Product #:27850.0200



BUNN® reserves the right to change specifications and product design without notice. Such revisions do not entitle the buyer to corresponding changes, improvements, additions or replacements for previously purchased equipment. For most current specifications and other info visit bunn.com.

Created on:
02/06/2019

ICB Twin SH, WiFi, Stainless

32.9" x 23.4" x 21.9"
(83.6cm x 59.4cm x 55.6cm)



- BUNN Infusion Series technology allows for multiple recipes from one footprint --- with six brew buttons and three batch sizes
- Energy-saver mode reduces tank temperature during idle periods
- Exclusive Peak Extraction™ Sprayhead is multi-directional with a 17-hole design to ensure ultimate uniformity of extraction
- Electronic funnel lock prevents removal of each brew funnel until drip-through is complete
- USB programming capable
- Pre-infusion and pulse brew for maximum flavor extraction. Cold brew lockout & digital temperature control further ensure top-notch brewing.
- Soft Heat® wireless server monitoring provides operator staff a dashboard view of all servers on location to assure fresh coffee is always available
- The dashboard shows the age of the coffee and alerts staff when it has expired, or when the server is empty
- The dashboard works with tablets, smart phones and laptops that have WiFi
- Password protected access prevents unauthorized viewing
- All communications are done through the Infusion Soft Heat brewer and access to the site's WiFi system is not needed

Agency:



Specifications

Product #: 51200.0103

Water Access: Plumbed

Interface: Wireless

Finish: Stainless

Funnel: Black Plastic

Faucet: Side

Legs: 4" Stainless Steel Legs

Additional Features

Electrical & Capacity

Volts	Amps	Watts	Cord Attached	Plug Type	8oz cups/hr 236ml cups/hr	Input H ₂ O Temp.	Phase	# Wires plus Ground	Hertz
120/240	25	6000	Yes/	-	280	60°F (15.5°C)	1	3	60

Plumbing Requirements

PSI	kPa	Fitting Supplied	Water Flow Required (GPM)
20-90	138-621	3/8" Male Flare Fitting	1.00

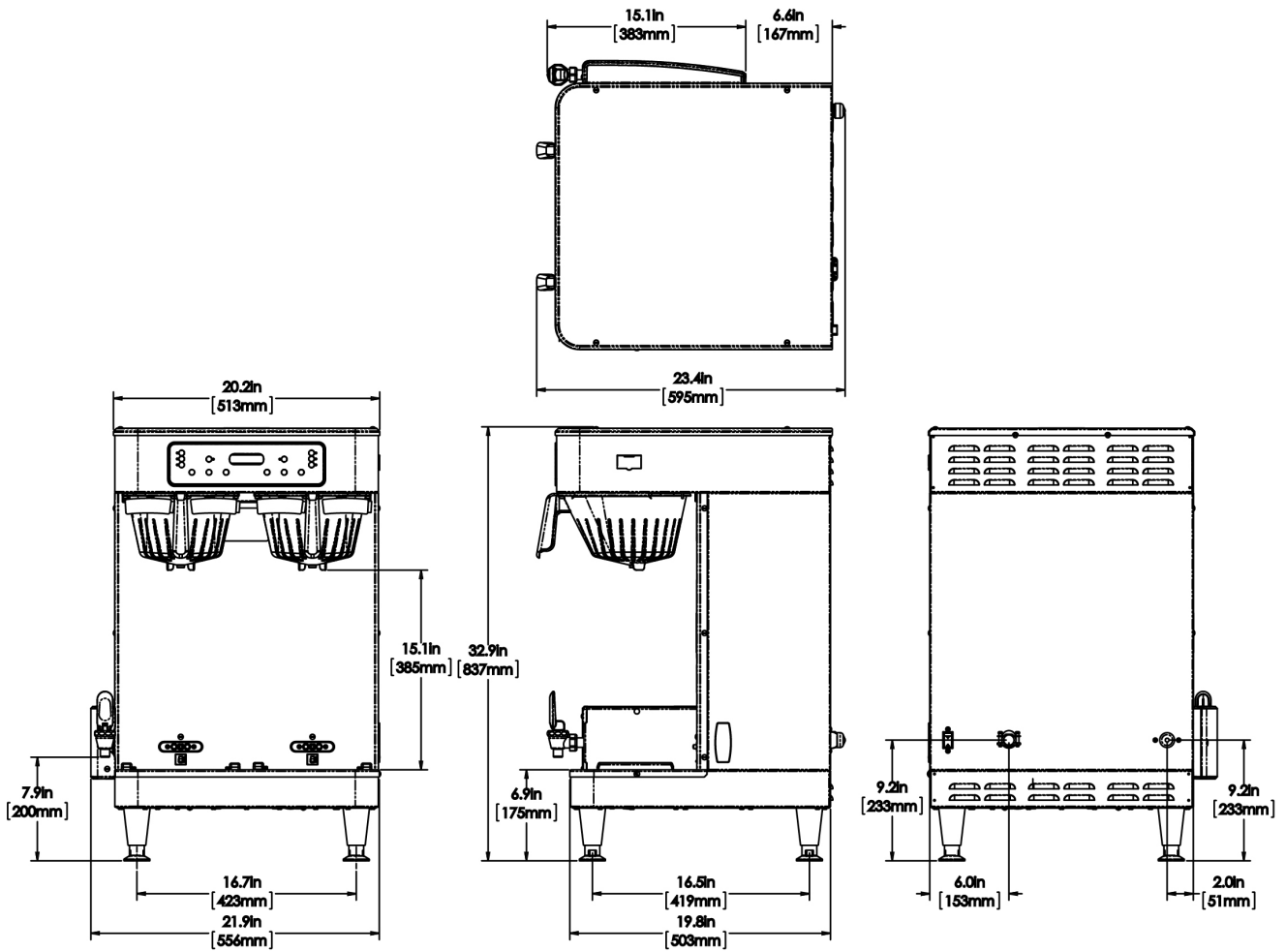
CAD Drawings

2D	Revit	KLC
●		



BUNN® reserves the right to change specifications and product design without notice. Such revisions do not entitle the buyer to corresponding changes, improvements, additions or replacements for previously purchased equipment. For most current specifications and other info visit bunn.com.

Created on:
02/06/2019



Unit			Shipping					
	Width	Height	Depth	Width	Height	Depth	Weight	Volume
English	21.9 in.	32.9 in.	23.4 in.	25.9 in.	37.1 in.	28.1 in.	78.400 lbs	1.510 ft ³
Metric	55.6 cm	83.6 cm	59.4 cm	65.8 cm	94.2 cm	71.4 cm	35.562 kgs	0.043 m ³



BUNN® reserves the right to change specifications and product design without notice. Such revisions do not entitle the buyer to corresponding changes, improvements, additions or replacements for previously purchased equipment. For most current specifications and other info visit bunn.com.

Created on:
02/06/2019

Related Products & Accessories: ICB Twin SH, WiFi, Stainless(51200.0103)



FILTERS, GOURMET 500
500/1 50/CL

Product #: 20138.1000



1SH STAND, 120V INF
SERIES

Product #: 27825.0200



1SH STAND, 120V INF
SERIES W/COMM

Product #: 27825.0201



2SH STAND, 120V INF
SERIES

Product #: 27875.0200



2SH STAND, 120V INF
SERIES W/COMM

Product #: 27875.0201



WATER FILTER,
EQHP-10L

Product #: 39000.0001



WATER FILTER,
EQHP-10

Product #: 39000.0004



KIT, DRIP TRAY INF
TWIN SH

Product #: 53452.0000



KIT, DRIP TRAY SINGLE
SH

Product #: 53452.0001

Serving & Holding Options: ICB Twin SH, WiFi, Stainless(51200.0103)



SH SERVER, 1.5/5.7L INF
SERIES

Product #:27850.0200



BUNN® reserves the right to change specifications and product design without notice. Such revisions do not entitle the buyer to corresponding changes, improvements, additions or replacements for previously purchased equipment. For most current specifications and other info visit bunn.com.

Created on:
02/06/2019

ICB Twin SH, WiFi, Black and Stainless

32.9" x 23.4" x 21.9"
(83.6cm x 59.4cm x 55.6cm)



 Servers Sold Separately

- BUNN Infusion Series technology allows for multiple recipes from one footprint --- with six brew buttons and three batch sizes
- Energy-saver mode reduces tank temperature during idle periods
- Exclusive Peak Extraction™ Sprayhead is multi-directional with a 17-hole design to ensure ultimate uniformity of extraction
- Electronic funnel lock prevents removal of each brew funnel until drip-through is complete
- USB programming capable
- Pre-infusion and pulse brew for maximum flavor extraction. Cold brew lockout & digital temperature control further ensure top-notch brewing.
- Soft Heat® wireless server monitoring provides operator staff a dashboard view of all servers on location to assure fresh coffee is always available
- The dashboard shows the age of the coffee and alerts staff when it has expired, or when the server is empty
- The dashboard works with tablets, smart phones and laptops that have WiFi
- Password protected access prevents unauthorized viewing
- All communications are done through the Infusion Soft Heat brewer and access to the site's WiFi system is not needed

Agency:



Specifications

Product #: 51200.0104

Water Access: Plumbed

Interface: Wireless

Finish: Stainless/Black

Funnel: Black Plastic

Faucet: Side

Legs: 4" Stainless Steel Legs

Additional Features

Electrical & Capacity

Volts	Amps	Watts	Cord Attached	Plug Type	8oz cups/hr 236ml cups/hr	Input H ₂ O Temp.	Phase	# Wires plus Ground	Hertz
120/240	25	6000	Yes/	-	280	60°F (15.5°C)	1	3	60

Plumbing Requirements

PSI	kPa	Fitting Supplied	Water Flow Required (GPM)
20-90	138-621	3/8" Male Flare Fitting	1.00

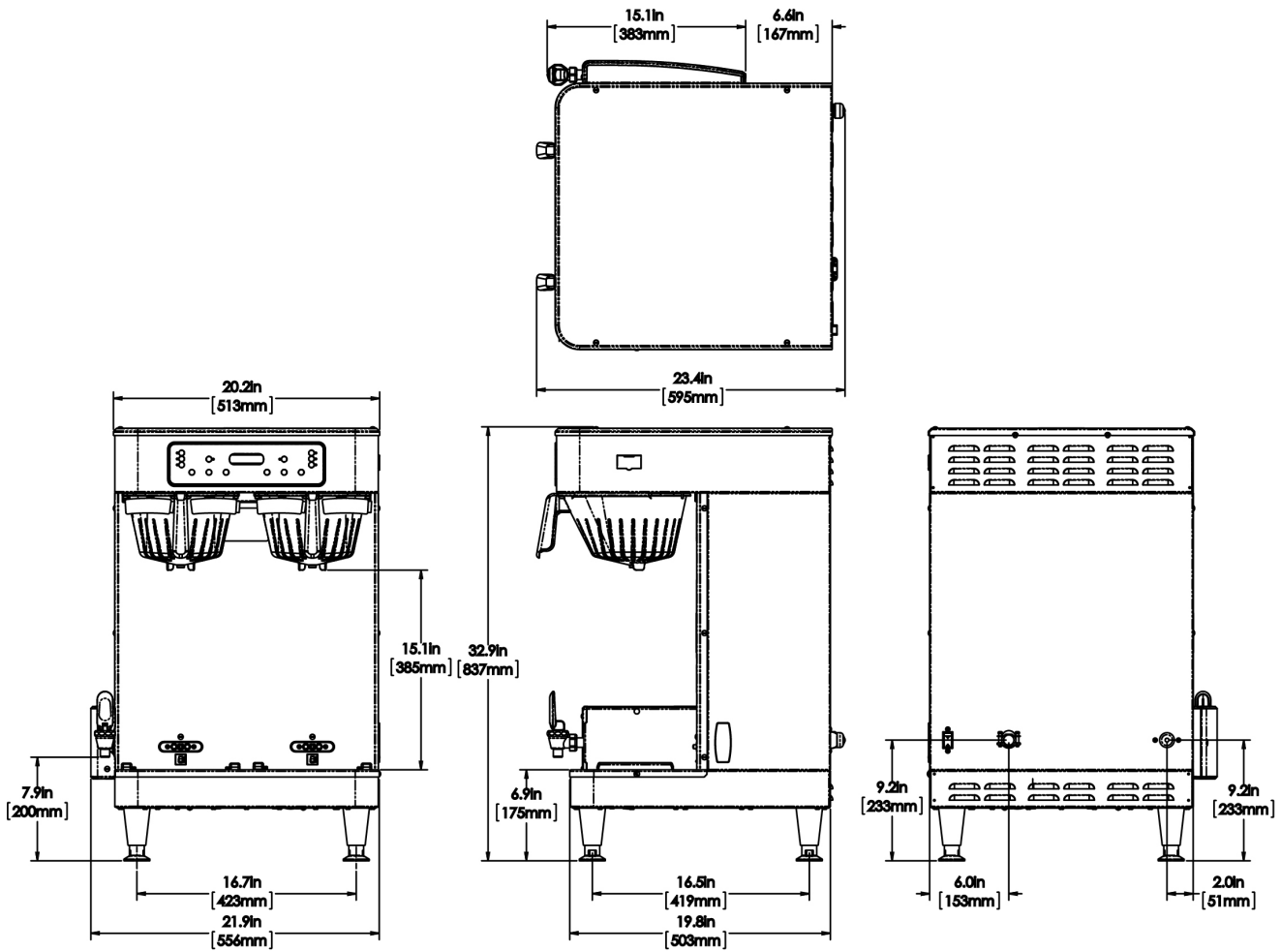
CAD Drawings

2D	Revit	KLC
●		



BUNN® reserves the right to change specifications and product design without notice. Such revisions do not entitle the buyer to corresponding changes, improvements, additions or replacements for previously purchased equipment. For most current specifications and other info visit bunn.com.

Created on:
02/04/2019



Unit			Shipping					
	Width	Height	Depth	Width	Height	Depth	Weight	Volume
English	21.9 in.	32.9 in.	23.4 in.	25.9 in.	37.1 in.	28.1 in.	78.400 lbs	15.626 ft³
Metric	55.6 cm	83.6 cm	59.4 cm	65.8 cm	94.2 cm	71.4 cm	35.562 kgs	0.442 m³



BUNN® reserves the right to change specifications and product design without notice. Such revisions do not entitle the buyer to corresponding changes, improvements, additions or replacements for previously purchased equipment. For most current specifications and other info visit bunn.com.

Created on:
02/04/2019

Related Products & Accessories: ICB Twin SH, WiFi, Black and Stainless(51200.0104)



FILTERS, GOURMET 500
500/1 50/CL

Product #: 20138.1000



1SH STAND, 120V INF
SERIES

Product #: 27825.0200



1SH STAND, 120V INF
SERIES W/COMM

Product #: 27825.0201



2SH STAND, 120V INF
SERIES

Product #: 27875.0200



2SH STAND, 120V INF
SERIES W/COMM

Product #: 27875.0201



WATER FILTER,
EQHP-10L

Product #: 39000.0001



WATER FILTER,
EQHP-10

Product #: 39000.0004



BUNN® reserves the right to change specifications and product design without notice. Such revisions do not entitle the buyer to corresponding changes, improvements, additions or replacements for previously purchased equipment. For most current specifications and other info visit bunn.com.

Created on:
02/04/2019

Serving & Holding Options: ICB Twin SH, WiFi, Black and Stainless(51200.0104)



SH SERVER, 1.5/5.7L INF
SERIES

Product #:27850.0200



BUNN® reserves the right to change specifications and product design without notice. Such revisions do not entitle the buyer to corresponding changes, improvements, additions or replacements for previously purchased equipment. For most current specifications and other info visit bunn.com.

Created on:
02/04/2019