



Project:
Item Number:
Quantity:

CHICKEN ROTISSERIE OVENS



RO4-208240-8

DESCRIPTION

Vollrath® Chicken Rotisseries combine cooking, holding, and merchandising in one. Baskets accommodate a variety of foods including ribs, roasts, vegetables, and even whole, stuffed fish.

AGENCY LISTINGS



Classified by
UL to
NSF/ANSI 4

Due to continued product improvement, please consult vollrathfoodservice.com for current product specifications.

ITEMS

Item	Model	Description
RO4-208240-8	ROV-08	Rotisserie—8-bird, 208–240V
Accessory	Decription	
60089	8-bird Stacking Kit (sold separately)	

FEATURES & BENEFITS

- Fan evenly circulates heat for better cooking and browning.
- Cook, then keep food warm with two separate modes.
- Removable carousel, doors, drip tray, and baskets clean easily.
- Thermostatically-controlled cooking temperature from 150 °F (66 °C)—450 °F (232 °C) creates precise results.
- Heat Indicator Light shows when set temperature is reached.
- Enhanced structural design improves stability and durability.
- Heavy-duty legs adjust to 4-5" for height flexibility.
- Customer-facing glass panel provides clear product visibility.
- Stack ovens and save valuable space with the Stacking Kit.
- Instant carousel braking allows seamless filling and serving.
- Optional Stacking Kit facilitates space saving.
- Based on independent UL testing, this product complies with NFPA96 for ventless operation using the EPA202 test method. Ventless allowance is dependent upon AHJ approval.
- 6' cord with plug allows placement flexibility.

WARRANTY

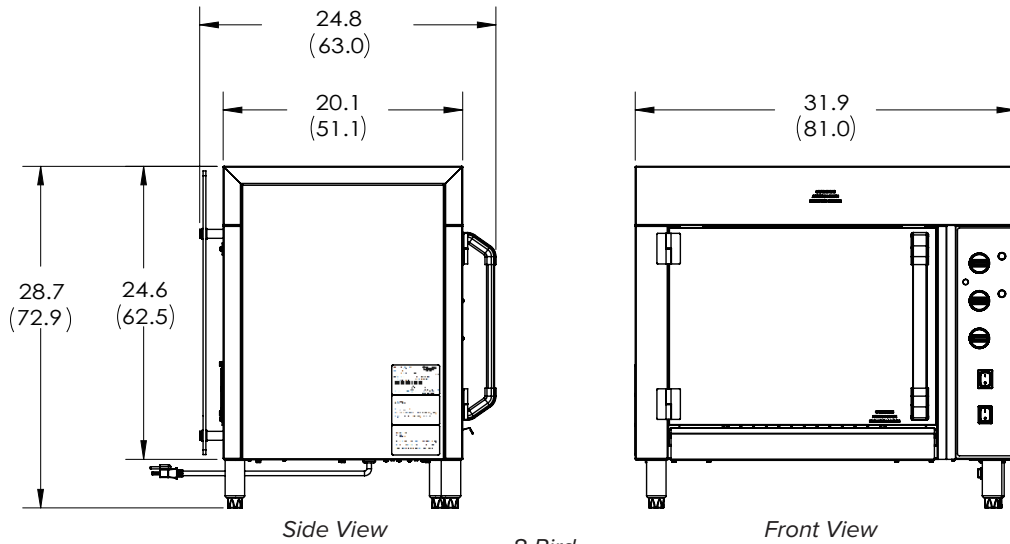
All models shown come with Vollrath's 1-year standard warranty against defects in materials and workmanship. For full warranty details, please refer to vollrathfoodservice.com.

Approvals	Date

CHICKEN ROTISSERIE OVENS

DIMENSIONS

Shown in inches (cm)



8-Bird

SPECIFICATIONS

Item	Description	Cooking Chamber Size			Amps	Watts	Volts	Shipping Weight & Dimensions				Plug & Receptacle
		W in. (cm)	H in. (cm)	D in. (cm)				Weight lbs (kg)	W in. (cm)	H in. (cm)	D in. (cm)	
RO4-208240-8	8-Bird	20.6 (52.3)	18.3 (46.5)	18.8 (47.8)	13.9–16.0	2884–3840	208–240	170 (77.1)	37.4 (95.0)	35.3 (89.7)	33.1 (87.1)	NEMA 6-20P & R 