



**Project:**

**Item Number:**

**Quantity:**

**10 LB STANDARD-DUTY ELECTRIC FRYERS**



CF2-1800



CF2-1800DUAL

**DESCRIPTION**

Vollrath® Standard Duty Fryers are designed to create a delicious variety of crisp, fried food with minimal fuss. Delight your customers with French fries, chicken, seafood, and more.

**CLEARANCE AND ENVIRONMENTAL REQUIREMENTS**

- Minimum clearance from combustible construction: 6" (15 cm) from the sides and back of the fryer.
- Minimum clearance from surface flames from adjacent equipment: 16" (40.6 cm).
- Do not install under combustible materials.
- Should be installed under a hood in accordance with the latest edition of the Standard for Ventilation Control and Fire Protection of Commercial Cooking Operations, NFPA 96.
- Locate the fryer in a place where it cannot be pushed off the countertop.
- Keep the area surrounding the fryer clear of combustible materials.
- Keep the area at the front of the fryer clear for unobstructed access during operation.
- Do not place adjacent to a heat-producing appliance.

**AGENCY LISTINGS**



\* Only applies to -C models.

Due to continued product improvement, please consult [vollrathfoodservice.com](http://vollrathfoodservice.com) for current product specifications.

**WARRANTY**

All models shown come with Vollrath's 1-year standard warranty against defects in materials and workmanship. For full warranty details, please refer to [vollrathfoodservice.com](http://vollrathfoodservice.com).

Approvals	Date

**ITEMS**

Item	Model	Description
CF2-1800	FFA7110	Countertop Fryer, 10 lb.
CF2-1800-C	FFA7110-C	Countertop Fryer, 10 lb. (Canada)
CF2-3600	FFA8110	Countertop Fryer, 10 lb.
CF2-3600-C	FFA8110-C	Countertop Fryer, 10 lb. (Canada)
CF2-1800DUAL	FFA7020	Dual Countertop Fryer, 2 X 10 lb.
CF2-1800DUAL-C	FFA7020-C	Dual Countertop Fryer, 2 X 10 lb. (Canada)
CF2-3600DUAL	FFA8020	Dual Countertop Fryer, 2 X 10 lb.
CF2-3600DUAL-C	FFA8020-C	Dual Countertop Fryer, 2 X 10 lb. (Canada)

Accessories	Description
351796	Small Fryer Basket (two per well included)
351807	Large Fryer Basket
351802	Night Cover (one per well)

**FEATURES & BENEFITS**

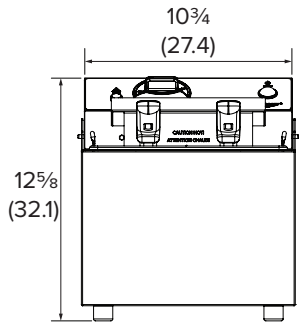
- Vollrath 208-240V standard duty fryer heads now come with 20% more power
- New components improve quality, durability, and safety
- Non-skid rubber feet prevent slipping
- Each box is wired separately with a 4 ft. (1.3m) cord and plug
- Indicator light illuminates when oil is ready
- Magnetic switch cuts power when element box is removed
- Minimal footprint to accommodate tight counter spaces
- Three-position fryer head for easy cleaning and pan removal
- Thermostatically controlled to 375 °F (190 °C)
- Automatic thermal overload shutoff at 500 °F (260 °C)
- Lighted Power Switch indicates power is on
- Stainless steel wire baskets with cool-touch handle
- Removable element box assemblies for easy cleaning and versatility
- Ideal for small pubs, colleges, and product-specific applications
- Dual unit provides increased volume and separation of food types to prevent flavor transfer
- Lift-out, one-piece stainless steel tank with carrying handles for easier cleaning
- Quick heat-up and temperature recovery between loads
- Ships with two baskets per well



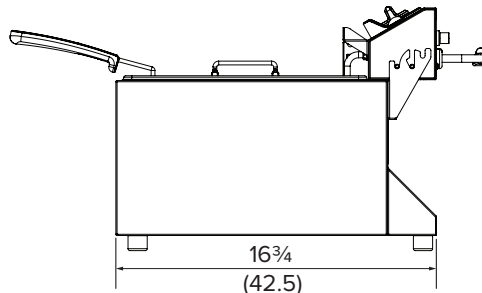
## DIMENSIONS

Shown in inches (cm)

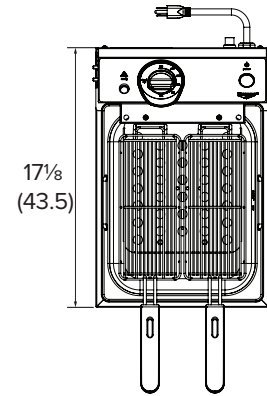
### Single Fryer



Front View

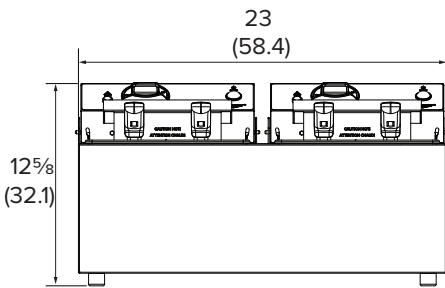


Side View

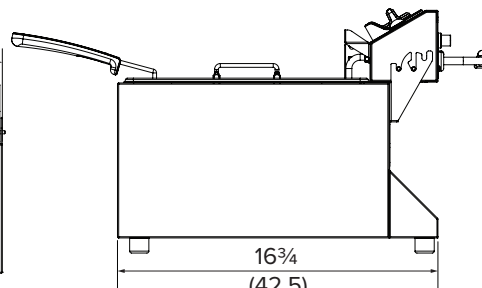


Top View

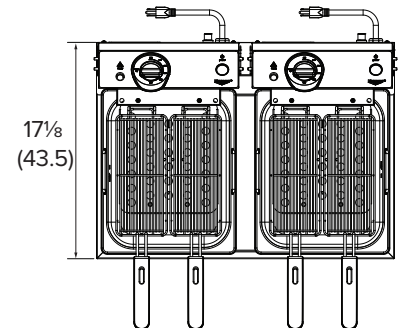
### Dual Fryer



Front View



Side View



Top View

## SPECIFICATIONS

Item	Description	Voltage	Watts	Amps	Shipping Weight LB (KG)	Plug	Receptacles	
CF2-1800	Single Fryer	120	1800	15	21 (9.5)	NEMA 5-15P	120V	120V
CF2-1800-C						NEMA 5-20P		
CF2-3600		208-240	2700-3600	13-15		NEMA 6-15P	NEMA 5-15R	NEMA 5-20R
CF2-3600-C						NEMA 6-20P		
CF2-1800DUAL	Dual Fryer	120	1800 per well	15 per well	40 (18.1)	NEMA 5-15P*	208-240V	208-240V
CF2-1800DUAL-C						NEMA 5-20P*		
CF2-3600DUAL		208-240	2700-3600 per well	13-15 per well		NEMA 6-15P*	NEMA 6-15R	NEMA 6-20R
CF2-3600DUAL-C						NEMA 6-20P*		

\* Each fryer head requires a dedicated circuit and the electrical ratings are per circuit.



**The Vollrath Company, L.L.C.**  
 1236 North 18th Street  
 Sheboygan, WI 53081-3201 U.S.A.  
 Main Tel: 800.624.2051 or 920.457.4851  
 Main Fax: 800.752.5620 or 920.459.6573  
 Customer Service: 800.628.0830  
 Canada Customer Service: 800.695.8560

Technical Services  
 techservicereps@vollrathco.com  
 Induction Products: 800.825.6036  
 Countertop Warming Products: 800.354.1970  
 All Other Products: 800.628.0832