

## GRIDDLES &amp; BROILERS

**VULCAN****VCRG-T RESTAURANT SERIES  
GAS GRIDDLES**

Model VCRG48-T



- VCRG24-T** 24" w x 20½" d griddle plate
- VCRG36-T** 36" w x 20½" d griddle plate
- VCRG48-T** 48" w x 20½" d griddle plate

**STANDARD FEATURES**

- 1" thick polished steel griddle plate welded to 3¼" stainless steel back, tapered side splashes and stainless steel grease trough.
- Fully welded stainless and aluminized steel chassis frame.
- 12½" cooking height on 4" adjustable legs.
- One 25,000 BTU/hr. "U" shaped aluminized steel burner for every 12" of griddle width.
- One embedded, mechanical snap action thermostat per burner for high performance and optimal response time.
- Temperature adjust from 200° to 450°F.
- One pilot safety valve for every two burners. Safety will completely shut off gas to pilot and burners if pilot extinguishes.
- High capacity 4½ quart capacity grease can.
- ¾" rear gas connection and convertible gas pressure regulator for LP service.
- Constructed standard for natural gas service. LP conversion kit supplied with unit.
- One year limited parts and labor warranty.

**SPECIFICATIONS**

Low profile Vulcan Model No.\_\_\_\_\_. Stainless steel front, sides and front top ledge. Fully welded stainless and aluminized steel body frame. 12½" cooking height on 4" legs. 1" thick polished steel griddle plate welded to stainless steel back and tapered side splashes. One 25,000 BTU/hr. "U" shaped aluminized steel burner and embedded, mechanical snap action thermostat for each 12" of griddle width. Temperature adjusts from 200° to 450°F. One pilot safety for every two burners. 4½ quart capacity grease can. ¾" rear gas connection and convertible gas pressure regulator for LP service.

**Exterior Dimensions:**

\_\_\_\_\_ " w x 27" d x 16" h on 4" legs.

CSA design certified. NSF listed.

**VULCAN**

a division of ITW Food Equipment Group LLC

P.O. Box 696 ■ Louisville, KY 40201 ■ Toll-free: 1-800-814-2028 ■ Local: 502-778-2791 ■ Quote & Order Fax: 1-800-444-0602



## VCRG-T RESTAURANT SERIES GAS GRIDDLES

### INSTALLATION INSTRUCTIONS

1. A gas pressure regulator supplied with the unit must be installed;  
Natural Gas 4.0" (102 mm) W.C.  
Propane Gas 10.0" (254 mm) W.C.
2. All models require a 6" (152 mm) clearance at both sides and rear adjacent to combustible and 0" from non-combustible constructions. All models require a 4" (102mm) bottom clearance and must be installed with minimum 4" legs.

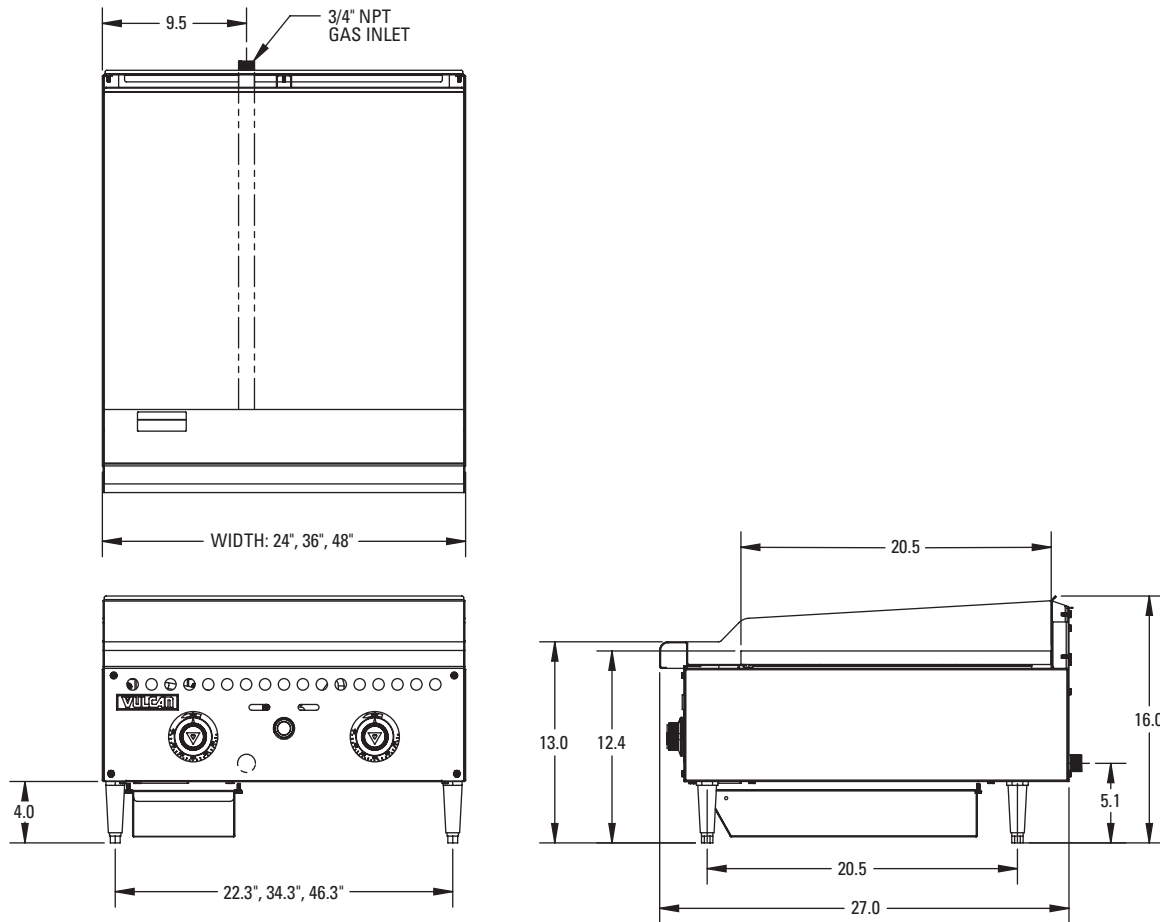
An adequate ventilation system is required for Commercial Cooking Equipment (NFPA No. 96). Information may be obtained by writing to the National Fire Protection Association, Batterymarch Park, Quincy, MA 02169.

3. These units are manufactured for installation in accordance with National Fuel Gas Code, ANSI-Z223.1/NFPA #54 (latest edition). Copies may be obtained from The American Gas Association, Accredited Standards Committee Z223 @ 400 N. Capital St. NW, Washington, DC 20001, or the Secretary Standards Council, NFPA, 1 Batterymarch Park, Quincy, MA 02169-7471.

**NOTE: In The Commonwealth of Massachusetts**

All gas appliances vented through ventilation hood or exhaust system equipped with a damper or with a power means of exhaust shall comply with 248 CMR.

4. This appliance is manufactured for commercial installation only and is not intended for home use.



MODEL	WIDTH	DEPTH	OVERALL HEIGHT*	WORKING HEIGHT*	NO. OF BURNERS	TOTAL BTU/HR	NO. OF DRAWERS	APPROX. SHIP. WT.
VCRG24-T	24"	27"	16"	12½"	2	50,000	1	243 lbs/111 kg
VCRG36-T	36"	27"	16"	12½"	3	75,000	1	340 lbs/155 kg
VCRG48-T	48"	27"	16"	12½"	4	100,000	1	408 lbs/185 kg

\*These are nominal dimensions and can vary by +1.75" with adjustable legs.



a division of ITW Food Equipment Group LLC

P.O. Box 696 ■ Louisville, KY 40201 ■ Toll-free: 1-800-814-2028 ■ Local: 502-778-2791 ■ Quote & Order Fax: 1-800-444-0602

**NOTE:** In line with its policy to continually improve its products, Vulcan reserves the right to change materials and specifications without notice.