



N0422 - 400lb Nugget Ice Machine

Prodigy Plus® Nugget Ice Machine



Features & Benefits

- Available in softer, Original Chewable Nugget Ice or harder, H² Nugget Ice
- Sealed, maintenance-free bearings for reduced preventative maintenance and long-lasting performance
- Stainless steel evaporator and auger for maximum durability
- AutoAlert™ indicator lights for better visibility
- Operational footprint among the industry's smallest
- Unit specific QR code for quick access to service manuals, cleaning guides and warranty history
- Front-breathing - No side clearance required for flexible placement
- Smart-Board™ advanced feature module available for additional diagnostic capabilities
- Optional Vari-Smart™ ice level control allows operators to customize ice levels
- Antimicrobial protection guards internal surfaces between cleanings
- Sealed refrigeration system minimizes outside airborne contamination
- Inherently more energy and water efficient than cube machines



24 Hour Volume Production

Original Chewable Nugget

Air Cooled		Water Cooled	
70°F/21°C 50°F/10°C	Air Water	90°F/32°C 70°F/21°C	70°F/21°C 50°F/10°C
420/191 lb/kg		348/158 lb/kg	455/206 lb/kg
			397/180 lb/kg



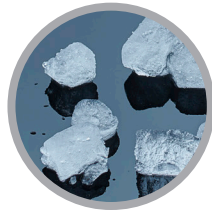
Sealed, maintenance-free bearings ensure maximum reliability and contribute to a long machine life



24 Hour Volume Production

H² Nugget

Air Cooled		Water Cooled	
70°F/21°C 50°F/10°C	Air Water	90°F/32°C 70°F/21°C	70°F/21°C 50°F/10°C
456/207 lb/kg		333/151 lb/kg	441/200 lb/kg
			378/171 lb/kg



Available in softer, Original Chewable Nugget Ice or harder, H² Nugget Ice



Modular Bin & Dispenser Options

Model Number*	Dimensions W" x D" x H"	Bin Application		Ship Weight lb/kg
		Capacity lb/kg	Finish	
B322S	22 x 34 x 44**	370/168	Metallic	140/64
B530P	30 x 34 x 44**	536/244	Poly	110/50
B530S	30 x 34 x 44**	536/244	Metallic	150/68
ID150	22 x 30 x 35.625	-	Stainless Steel	149/68
ID200	30 x 30 x 35.625	-	Stainless Steel	183/83
ID250	30 x 30 x 39.625	-	Stainless Steel	188/85

*Contact Scotsman for bin top requirements. **Add 6" Height for bin legs.



Nugget Ice

Original Chewable Nugget
Ice Hardness Rating*: Soft = 74%
Dimensions: 7/16" x 5/16" x 3/8"



H² Nugget
Ice Hardness Rating*: Hard = 85%
Dimensions: 3/4" x 5/16" x 3/8"

*Approximation, values may vary by model



Certification



Warranty

- 3 years parts and labor on all components.
- 5 years parts on the compressor.
- Warranty valid in North, South & Central America for commercial installations.
- Contact factory for warranty in other regions.
- Residential Applications: 1 year parts and labor

N0422 - 400lb Nugget Ice Machine

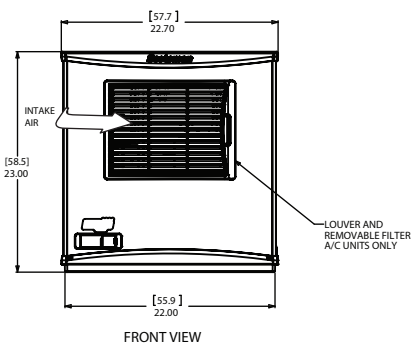
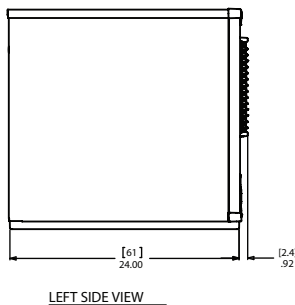
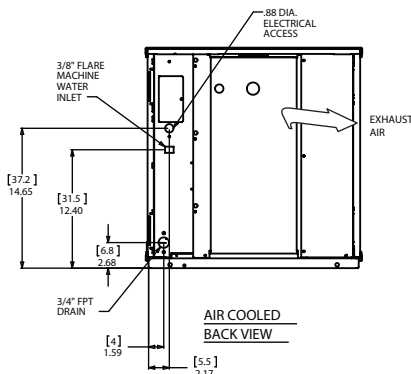
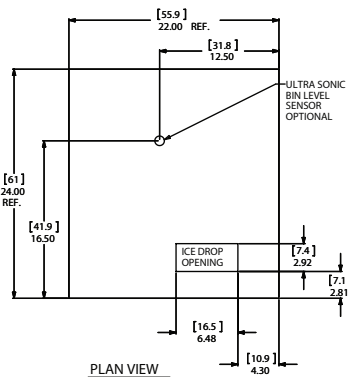
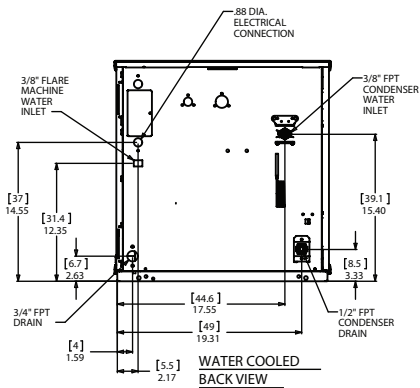


- 101 Corporate Woods Parkway, Vernon Hills, IL 60061 •
- 1-800-SCOTSMAN • Fax: 847-913-9844 • www.scotsman-ice.com • customer.relations@scotsman-ice.com •

N0422 - 400lb Nugget Ice Machine

Prodigy Plus® Nugget Ice Machine

N0422 - 400lb Nugget Ice Machine



Specifications

Model Number Nugget Type: Soft or Hard	Condenser Unit	Basic Electrical Volts/Hz/Phase	Max. Fuse Size or HACR Circuit Breaker (amps)	Circuit Wires	Min. Circuit Ampacity	Energy Consumption kWh/100 lb (45.4 kg) 90°F(32°C)/70°F(21°C)	Water Usage Gallons/100 lb (liters/45.4 kg)	
							Potable 90°F(32°C)/70°F(21°C)	Condenser 90°F(32°C)/70°F(21°C)
soft NS0422A-1	Air	115/60/1	15	2	12.9	5.36	12.0/45.5	-
soft NS0422W-1	Water	115/60/1	15	2	12.1	3.95	12.0/45.5	124/469.4
hard NH0422A-1	Air	115/60/1	15	2	12.9	4.91	12.0/45.5	-
hard NH0422W-1	Water	115/60/1	15	2	12.1	3.92	12.0/45.5	88/333.1



All Models

Dimensions (W x D x H):

Unit: 22" x 24" x 23"
(58.2 x 61.0 x 58.4 cm)

Shipping Carton: 25.5" x 27.5" x 28.5"
(64.8 x 69.9 x 72.4 cm)

Shipping Weight: 172 lb / 78 kg
BTUs per hour: 5,000

Refrigerant: R-404A



Accessories

Model Number	Description
KVS	Vari-Smart™ Ice Level Control - Program ice bin levels to match ice needs.
KSBU	Smart-Board™ Advanced Control - Use additional operational data for fast diagnosis.
KSBU-N	Smart-Board™ Advanced Control with Network - Network capable.
KPAS	Prodigy Advanced Sustainability Kit - Includes KVS and KSBU - N

Scotsman recommends all ice machines have water filtration. See Scotsman water filter specification sheet for details.



Operating Requirements

	Minimum	Maximum
Air Temperatures	50°F (10°C)	100°F (38°C)
Water Temperatures	40°F (4.4°C)	100°F (38°C)
Remote Cond. Temps	-20°F (-29°C)	120°F (49°C)
Water Pressures	20 PSIG (1.4 bar)	80 PSIG (5.5 bar)
Electrical Voltage	-5%	+10%

Specifications and design are subject to change without notice.

an Ali Group Company

- 101 Corporate Woods Parkway, Vernon Hills, IL 60061
- 1-800-SCOTSMAN • Fax: 847-913-9844
- www.scotsman-ice.com • customer.relations@scotsman-ice.com



The Spirit of Excellence

Scotsman

SIS-SS-PP-N0422 06-20