

SaniServ®


MADE IN USA

MODEL 691

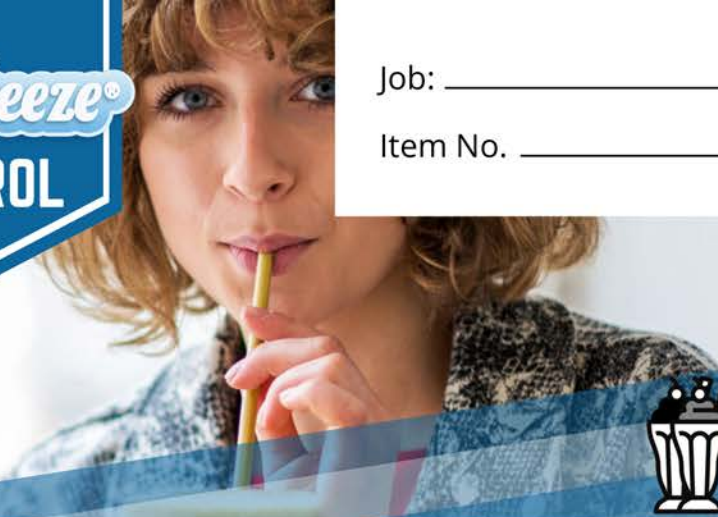


180
SHAKES/HR

OFFERS

2 DIFFERENT FLAVORS IN 1 MACHINE

The SaniServ® model 691 countertop shake freezer can provide **two flavors in one machine!** With an independent drive system in each side of the machine, product can be easily maintained and or changed in either side when desired! The mix pan is also refrigerated to ensure quicker recovery time. By offering not one, but two flavor products, owners and operators will insure every customer stays satisfied and increase their operating profits!



Job: _____

Item No. _____



DESIGNED FOR MEDIUM VOLUME APPLICATIONS
Two - 12 oz. Shakes per Minute per Side - 14 Quart Capacity per Side

Use SaniServ® Model 691 to Create



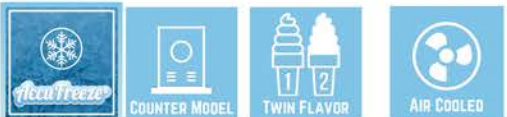
Dimensions: Width (21.3") Depth (28")
Height (36") Weight (249 lbs)

Electrical Requirements:
208-230/60/1 = 20 Amps
208-230/60/3 = 15 Amps



About the 691

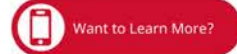
Cooling Options



Serving Estimate:

Up to 180 Milkshakes (90/side) / hr

We reserve the right to change specifications and product designs without notice. Such revisions do not entitle the buyer to corresponding changes, improvements, additions, or replacements for previously purchased equipment.



✓ SPACE SAVING - Small Footprint Design

SaniServ® model 691 provides two flavors in a countertop model design. Operators will enjoy the ease of operation and the versatility to offer two different types of frozen beverages that customers desire at the same time!

✓ EASY CLEANING AND OPERATION - Fewer Parts = Simplified Cleaning

SaniServ® equipment is designed and built with the fewest parts to be disassembled, cleaned and sanitized than any other machine in the industry. The state of the art solid-state AccuFreeze® control insures product consistency, worry-free operation and customer satisfaction.

✓ HIGH RETURN ON INVESTMENT - Increased Profits

SaniServ® machines combine efficiency with consistent product quality and fast, quiet operation while insuring customer satisfaction with high profit frozen beverages.

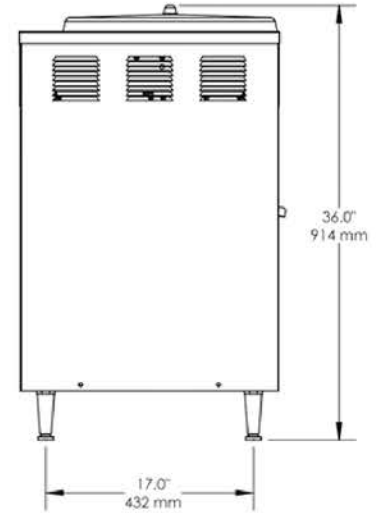
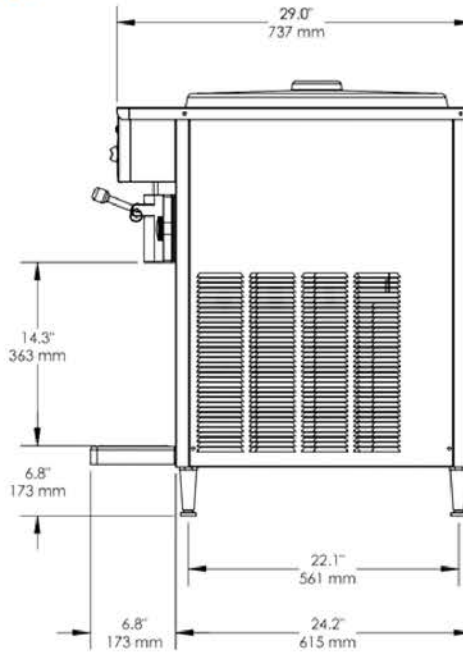
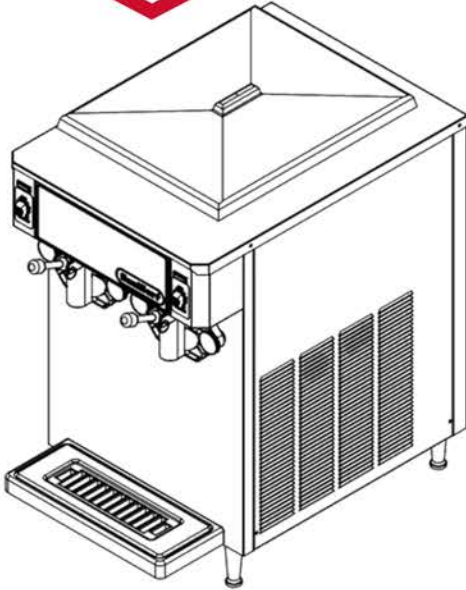
✓ QUALITY DESIGN - Durability

SaniServ® machines are built to achieve long and dependable life through simplicity of design. Every machine is shipped standard with a stainless steel exterior, durable steel interior frame construction, heavy-duty components and consistency systems.

MODEL 691

AccuFreeze[®] CONTROL

Minimum Wall Clearance
Both Sides and Back
6 inches (152 mm)



ELECTRICAL				WIDTH	HEIGHT	DEPTH	WEIGHT	VOLUME
VOLTS	Hz	Ph.	Amps	INCHES (MM)	INCHES (MM)	INCHES (MM)	LBS. (Kg)	CU FT. (cu. m.)
208-230	60	1	20	21.3 (541)	36 (914)	28 (711)	249 (118)	
208-230	60	3	15					
Shipping Specifications				31.5 (800)	36.5 (927)	40.5 (1029)	360 (163)	29.6 (.83)

SPECIFICATIONS

Cooling System:

Air Only

Dasher and Compressor

Motors:

(2) 1/4 HP Dashers

(1) 1 HP Compressor

Refrigerator Type:

R404A

Listings:

UL, cUL, NSF

FEATURES

Evaporator and Mix Reservoir

Capacity:

14 Quarts (13.2 liters)

Dasher:

Heavy-Duty Stainless Steel with low friction scraper blades.

Controls:

AccuFreeze[®] solid-state control for accurate product consistency.

Solid State Audio/Visual Mix Out System with Compressor Lockout

WARRANTY

Parts

1 year

Compressor

5 years

Evaporator

5 years

Options:

Drink Spinner

Tune Up Kit

Syrup Rail

Machine Stand

Export Voltages

Remote Condenser*

*Requires a remote condensing unit (condenser & compressor) connected by two refrigeration lines.