



Project:

Item Number:

Quantity:

E111I-B SOFT SERVE GRAVITY-FED SINGLE FLAVOR COUNTERTOP MACHINE



DESCRIPTION

Stoelting's E111I-B Soft Serve Gravity-Fed Single Flavor Countertop Machine, with the combination of Stoelting's high-efficiency evaporator system which can handle peak demands. The Scroll™ compressor provides quiet operation and years of dependable service.

ITEMS

- E111-371-B** Air cooled, single phase

ACCESSORIES & OPTIONS

- 2204806** Adjustable Mix Inlet Regulator
- 2204541** Hopper lock kit
- 4158310** FS1 Floor Stand 24" x 15" x 31"

FEATURES

- Food grade plastic blades provide quiet operation and superior durability.
- Simplified design for quick assembly after cleaning.
- Adjust the dispense rate to meet your requirements.
- Clear door displays circulating product for merchandising appeal.
- Highly efficient auger design gently folds the entire contents of the freezing cylinder, delivering a thick, smooth, and creamy product.
- Self-closing spigot eliminates waste and ensures precise portion control.
- Compact counter-top design saves valuable counter space.
- Long-wearing parts offer lower preventative maintenance costs.
- Tamper-proof controls for self-serve applications.
- Reliable and quiet with the combination of Stoelting's evaporator system and the Scroll™ compressor.
- Direct drive motor

IntelliTec™ Control

- Lighted display communicates with operator for worry-free operation.
- Constant monitoring for ease of troubleshooting.
- Precision-controlled refrigeration system.



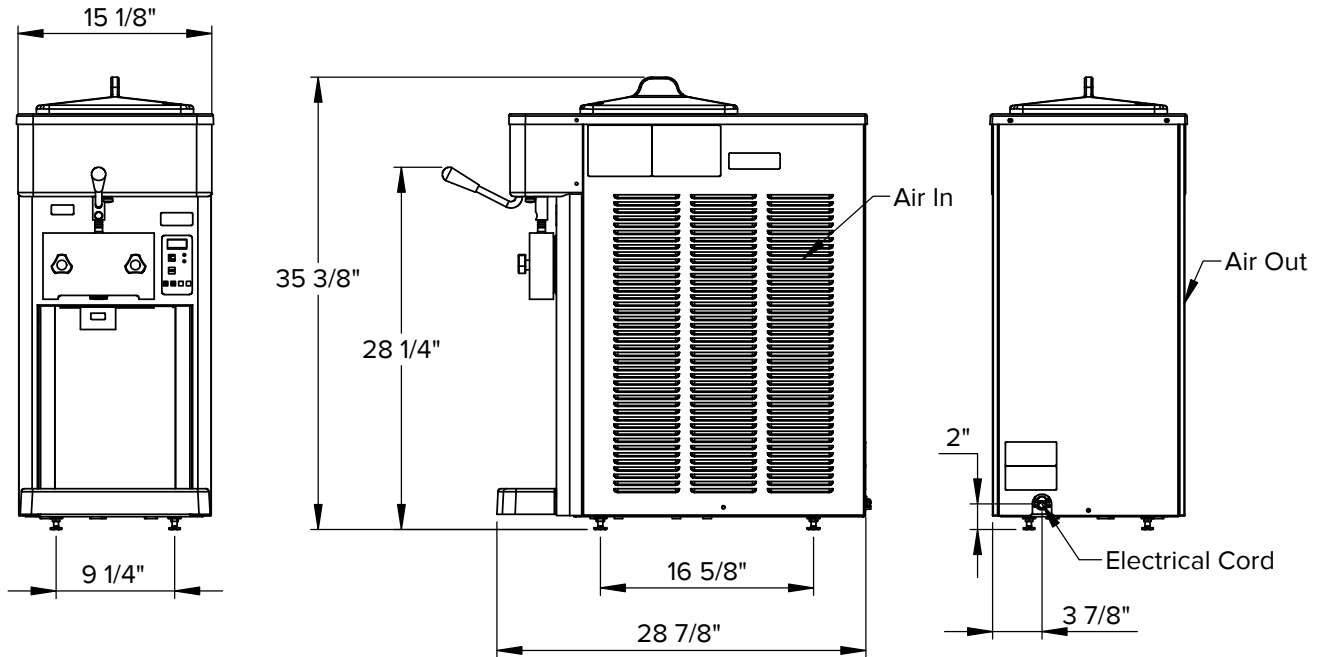
Every machine includes Stoelting's White Glove Service. One call does it all – customer service, technical service, parts or warranty information, installation ,startup, sales, on-site service dispatch and much more. Available 24 hours a day, seven days a week year-round.

Continuous research leads to ongoing product improvements; therefore, these specifications are subject to change without notice and should not be used as installation specifications.

Approvals	Date

E1111-B SOFT SERVE GRAVITY-FED SINGLE FLAVOR COUNTERTOP MACHINE

DIMENSIONS



Height dimensions may vary ±1/2" due to casters

GENERAL SPECIFICATIONS

Capacity gallon (L)	Freezing Cylinder			Hopper Capacity gallon (L)	Drive Motor (hp)	Weight lb (kg)	Crated Weight lb (kg)
	Compressor		Charge (oz)				
	Btu/hr	Refrigerant					
0.5 (1.89)	4500	R-404A	28	3.38 (12.79)	1/2	206 (93.4)	250 (113.4)

- Indoor use only.
- Maximum ambient temperature: 100°F (37.8°C).
- Requires a dedicated electrical circuit.
- Units require 3" (7.6 cm) air space on the right side
- Details on CAD Revit Symbols Libraries are available on stoelting.kclcad.com

ITEM NUMBER SPECIFICATIONS

Model Number	Cooling	Phase	Volts	Hz	Running Amps	Cord with Plug (Included)
E111371-B	Air	1	115	60	12.5	NEMA 5-20P



Service Information
 800-319-9549 (U.S. Toll Free)
 920-894-2293 (Outside the U.S.)
www.stoeltingfoodservice.com
www.vollrath.com