

R 2 B



D	Number of meals per service	10 to 20
	Quantity per batch in cutter function	Up to 2.2 lbs

A SALES FEATURES

The R 2 B Bowl Cutter Mixer is ideal for grinding, mincing and kneading, as well as for making mousses, emulsions and smooth stuffings. It effortlessly performs even the lengthiest task in just a few minutes, consistently producing a flawless end product.

B TECHNICAL FEATURES

R 2 B Bowl Cutter Mixer. Single phase 120/60/1. Power 1HP. Speed: 1725 rpm. 3 qt. cutter bowl in composite material and smooth bowl-base blade assembly. 10 to 20 meals. Select your options at the back page, **F** part.

C TECHNICAL DATA

Output power	1 HP
Electrical data	120V/60/1 - 7 Amp
Speed	1725 rpm
Dimensions (WxDxH)	16 9/16" x 11" x 8 11/16"
Rate of recyclability	95%
Net weight	25 lbs
Nema #	5-15P
Reference	R 2 B 120V/60/1

E PRODUCT FEATURES / BENEFITS

MOTOR BASE

- Direct drive induction motor (no belt) for intensive use.
- Power 1HP
- Stainless steel motor shaft.
- Motor base made from heavy-duty composite material.
- Manual reset.
- **Speed:** 1725 rpm.
- **Pulse** button for better cut precision.

CUTTER FUNCTION

- 3 qt. cutter bowl with handle for better grip
- Bowl-base high resistance smooth blade assembly for homogeneous processing even for small amounts
- Central lid opening for adding liquid or solid ingredients during processing
- High heat- and shock-resistant see-through lid to monitor processing from start to finish
- All parts are dishwasher-safe and can easily be removed for cleaning

ACCESSORIES INCLUDED

- Cutter attachment: lid, bowl, and high resistance stainless steel smooth blade assembly with removable cap.

STANDARDS
ETL electrical and sanitation Listed/ cETL (Canada)

R 2 B

F OPTIONAL ACCESSORIES

- Coarse serrated blade assembly for kneading and grinding, ref 27138
- Fine serrated blade assembly for chopping herbs and spices, ref 27061
- Cuisine Kit ref 27393



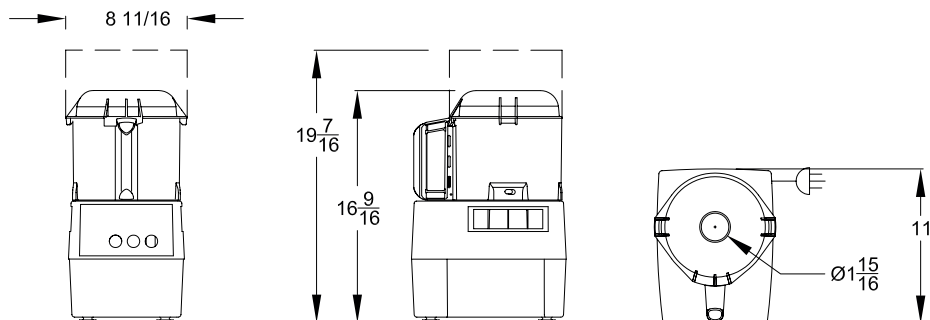
Coarse-serrated



Fine-serrated

G ELECTRICAL DATA

120V/60/1 - delivered with cord and plug



R 2 B CLR



D	Number of meals per service	10 to 20
	Quantity per batch in cutter function	Up to 2.2 lbs

A SALES FEATURES

The R 2 B CLR Bowl Cutter Mixer is ideal for grinding, mincing and kneading, as well as for making mousses, emulsions and smooth stuffings. It effortlessly performs even the lengthiest task in just a few minutes, consistently producing a flawless end product.

B TECHNICAL FEATURES

R 2 B CLR Bowl Cutter Mixer. Single phase 120/60/1. Power 1HP. Speed: 1725 rpm. 3 qt. clear cutter bowl in composite material and smooth bowl-base blade assembly. 10 to 20 meals. Select your options at the back page, **F** part.

C TECHNICAL DATA

Output power	1 HP
Electrical data	120V/60/1 - 7 Amp
Speed	1725 rpm
Dimensions (WxDxH)	16 9/16" x 11" x 8 11/16"
Rate of recyclability	95%
Net weight	25 lbs
Nema #	5-15P
Reference	R 2 B CLR 120V/60/1

E PRODUCT FEATURES / BENEFITS

MOTOR BASE

- Direct drive induction motor (no belt) for intensive use.
- Power 1HP
- Stainless steel motor shaft.
- Motor base made from heavy-duty composite material.
- Manual reset.
- **Speed:** 1725 rpm.
- **Pulse** button for better cut precision.

CUTTER FUNCTION

- 3 qt. clear cutter bowl with handle for better grip
- Bowl-base high resistance smooth blade assembly for homogeneous processing even for small amounts
- Central lid opening for adding liquid or solid ingredients during processing
- High heat- and shock-resistant see-through lid to monitor processing from start to finish
- All parts are dishwasher-safe and can easily be removed for cleaning

ACCESSORIES INCLUDED

- Cutter attachment: lid, bowl, and high resistance stainless steel smooth blade assembly with removable cap.

STANDARDS

ETL electrical and sanitation Listed/ cETL (Canada)



R 2 B CLR

F OPTIONAL ACCESSORIES

- Coarse serrated blade assembly for kneading and grinding, ref 27138
- Fine serrated blade assembly for chopping herbs and spices, ref 27061
- Cuisine Kit ref 27394



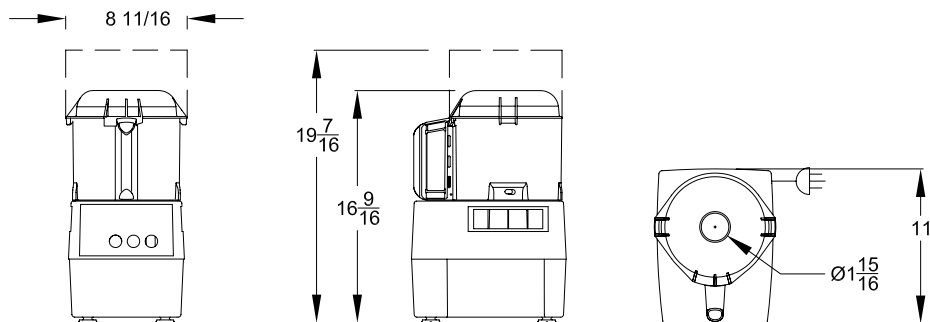
Coarse-serrated



Fine-serrated

G ELECTRICAL DATA

120V/60/1 - delivered with cord and plug



R 2 B Ultra



D	Number of meals per service	10 to 20
	Quantity per batch in cutter function	Up to 2.2 lbs

A SALES FEATURES

The R 2 B Ultra Bowl Cutter Mixer is ideal for grinding, mincing and kneading, as well as for making mousses, emulsions and smooth stuffings. It effortlessly performs even the lengthiest task in just a few minutes, consistently producing a flawless end product.

B TECHNICAL FEATURES

R 2 B Ultra Bowl Cutter Mixer. Single phase 120/60/1. Power 1HP. Speed: 1725 rpm. 3 qt. cutter bowl in stainless steel and smooth bowl-base blade assembly. 10 to 20 meals. Select your options at the back page, **F** part.

C TECHNICAL DATA

Output power	1 HP
Electrical data	120V/60/1 - 7 Amp
Speed	1725 rpm
Dimensions (WxDxH)	16 9/16" x 11" x 8 11/16"
Rate of recyclability	95%
Net weight	30 lbs
Nema #	5-15P
Reference	R 2 B Ultra 120V/60/1

E PRODUCT FEATURES / BENEFITS

MOTOR BASE

- Direct drive induction motor (no belt) for intensive use.
- Power 1HP
- Stainless steel motor shaft.
- Motor base made from heavy-duty composite material.
- Manual reset.
- **Speed:** 1725 rpm.
- **Pulse** button for better cut precision.

CUTTER FUNCTION

- 3 qt. stainless-steel cutter bowl with handle for better grip
- Bowl-base high resistance smooth blade assembly for homogeneous processing even for small amounts
- Central lid opening for adding liquid or solid ingredients during processing
- High heat- and shock-resistant see-through lid to monitor processing from start to finish
- All parts are dishwasher-safe and can easily be removed for cleaning

ACCESSORIES INCLUDED

- Cutter attachment: lid, bowl, and high resistance stainless steel smooth blade assembly with removable cap.

STANDARDS
ETL electrical and sanitation Listed/ cETL (Canada)

R 2 B Ultra

R 2 B Ultra

F OPTIONAL ACCESSORIES

- Coarse serrated blade assembly for kneading and grinding, ref 27138
- Fine serrated blade assembly for chopping herbs and spices, ref 27061
- Cuisine Kit ref 27395



Coarse-serrated



Fine-serrated

G ELECTRICAL DATA

120V/60/1 - delivered with cord and plug

